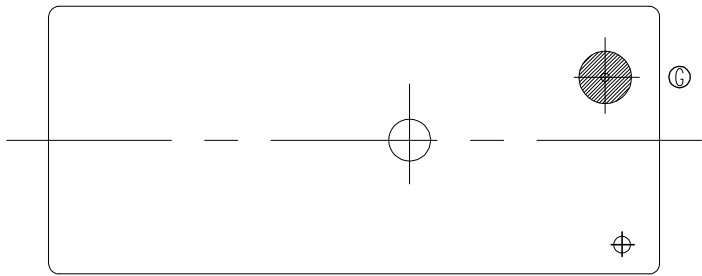


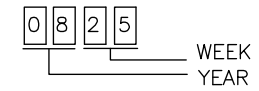
THIS DRAWING IS UNPUBLISHED. RELEASED FOR PUBLICATION
 © COPYRIGHT - By TE Connectivity ALL RIGHTS RESERVED.

LOC HB
 DIST -

REVISIONS						
P	LTR	DESCRIPTION	DATE	DWN	APVD	
F		1.UPDATE TE LOGO&BYE LOGO 2.ADD LINE IDENTIFICATION 3.TERMINALS TOLERANCE CLARIFICATION&VENT HOLE CHANGE	ECO-12-005726	06-APR-12	D.L	BH.Y
G		CHANGE THE VENT HOLE SHAPE FROM RECTANGLE TO CIRCLE ONE	ECO-13-015347	16-DEC-13	XL,Y	B,F



NOTES:
 1.LOT NO. SYSTEM AS FOLLOWING:



2.GENERAL TOLERANCE AS FOLLOWING:

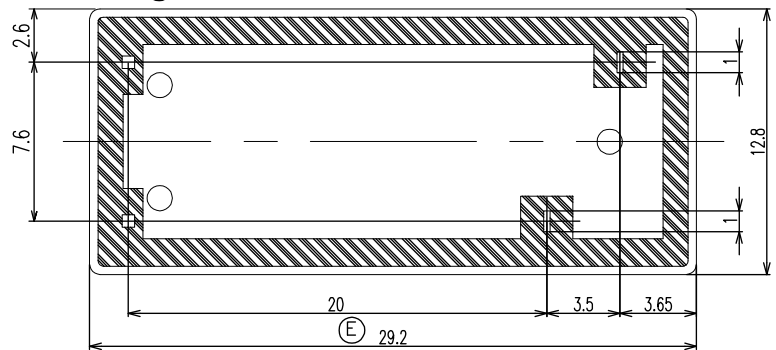
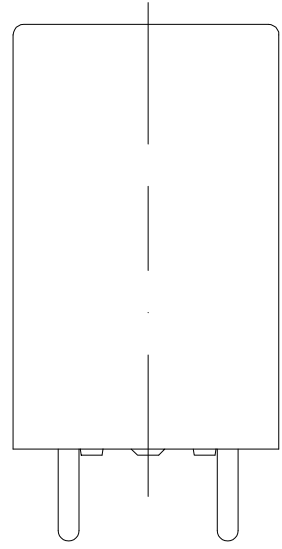
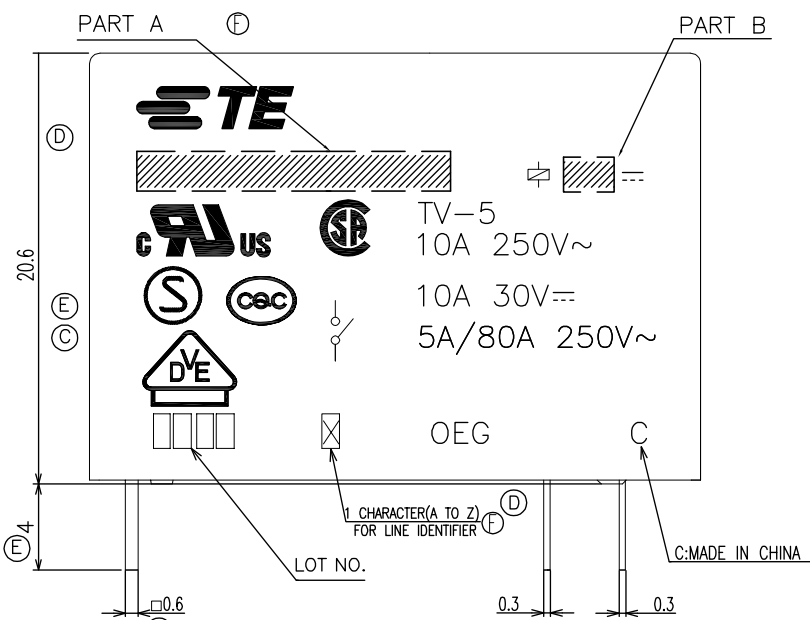
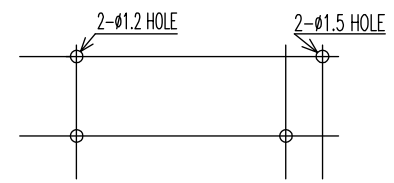
TOLERANCE	
0~0.99mm	± 0.1
1mm~2.99mm	± 0.2
3mm MIN.	± 0.3

- 3.TERMINAL DIMENSION IS NOT INCLUDING SOLDER TIP.
 4. -SH-: WASHABLE TYPE
 -SS-: PLASTIC SEALED TYPE
 5.FOR THE TIN-PLATING OF THE PINS:
 +0.1mm FOR WIDTH,THICKNESS AND DIAMETER.
 +0.5mm FOR LENGTH.

CONNECTION DIAGRAM
 (BOTTOM VIEW)



DRILLING DIAGRAM(2/1)
 (BOTTOM VIEW)



THIS DRAWING IS A CONTROLLED DOCUMENT.		DWN YANG.XIAO			
		CHK ZHANG.XIAONING			
DIMENSIONS: mm		APVD C.H.HSU		NAME	
		PRODUCT SPEC		OMIT-1M SPEC,000 CUSTOMER DRAWING	
		APPLICATION SPEC			
MATERIAL		WEIGHT		SIZE A3	RESTRICTED TO
				CAGE CODE 00779	DRAWING NO C=3-1419123-7
		CUSTOMER DRAWING		SCALE 4:1	SHEET 1 of 2
				REV G	

