

SMD SHIELDED POWER INDUCTOR



12.95 x 9.04 x 5.08mm

ASPI-0804TS

RoHS/RoHS II Compliant

FEATURES:

- Magnetic shielded for low radiation
- Low profile, compact size
- Large Terminal surface for good PCB bonding
- Low DCR, High Energy storage, suitable for large currents
- Ideal for a variety of DC-DC converter inductor applications

APPLICATIONS:

- Desktop, Laptop, servers
- Network hubs, bridges, routers
- Portable communication equipment
- OA equipment
- LCD, DVD, modem, set-top box
- DC/DC converters

ELECTRICAL SPECIFICATIONS:

Abracon P/N:	ASPI-0804TS-xxx
Operating Temperature:	-40°C to +85°C
Storage Temperature:	-40°C to +85°C (In tape and Reel)

PART NO . ASPI-0804TS- Inductance Code	Inductance (μ H)	Inductance Tolerance (N, M)	SRF (MHz) Typ.	DCR (Ω) Max.	Rated DC current (A)			Color Coding		
					IDC1 Max.	IDC2 Max.	IDC3 Max.	1st	2nd	Multiplier
ASPI-0804TS-1R0	1.0	N	60	0.025	4.500	8.000	4.000	Brown	Black	Red
ASPI-0804TS-1R5	1.5	N	55	0.030	4.000	5.500	4.000	Brown	Green	Red
ASPI-0804TS-2R2	2.2	N	55	0.035	1.900	3.000	4.000	Red	Red	Red
ASPI-0804TS-3R3	3.3	N	50	0.040	1.600	2.800	4.000	Orange	Orange	Red
ASPI-0804TS-4R7	4.7	N	45	0.045	1.500	2.400	3.000	Yellow	Purple	Red
ASPI-0804TS-6R8	6.8	N	40	0.050	1.300	1.800	2.500	Blue	Gray	Red
ASPI-0804TS-100	10.0	M	35	0.055	0.800	1.200	2.000	Brown	Black	Orange
ASPI-0804TS-150	15.0	M	25	0.060	0.650	1.100	1.800	Brown	Green	Orange
ASPI-0804TS-220	22.0	M	22	0.084	0.600	1.000	1.500	Red	Red	Orange
ASPI-0804TS-330	33.0	M	18	0.090	0.550	0.900	1.300	Orange	Orange	Orange
ASPI-0804TS-470	47.0	M	16	0.110	0.320	0.500	1.000	Yellow	Purple	Orange
ASPI-0804TS-680	68.0	M	12	0.150	0.280	0.450	0.900	Blue	Gray	Orange
ASPI-0804TS-101	100.0	M	9	0.290	0.280	0.400	0.800	Brown	Black	Yellow
ASPI-0804TS-151	150.0	M	8	0.360	0.210	0.350	0.600	Brown	Green	Yellow
ASPI-0804TS-221	220.0	M	6	0.390	0.170	0.260	0.500	Red	Red	Yellow
ASPI-0804TS-331	330.0	M	5	0.730	0.130	0.200	0.400	Orange	Orange	Yellow
ASPI-0804TS-471	470.0	M	4	0.880	0.110	0.180	0.350	Yellow	Purple	Yellow
ASPI-0804TS-681	680.0	M	3	1.150	0.090	0.140	0.300	Blue	Gray	Yellow
ASPI-0804TS-102	1000.0	M	2.5	1.450	0.085	0.140	0.250	Brown	Black	Green

Test Conditions

Inductance: 100kHz, 0.1V

IDC1: Base on Inductance change ($|\Delta L/L_o| \leq 20\%$)

IDC2: Base on Inductance change ($|\Delta L/L_o| \leq 30\%$)

IDC3: Base on Temperature change ($\Delta T \leq 40^\circ\text{C}$)

ABRACON IS
ISO 9001:2008
CERTIFIED



ABRACON
CORPORATION

Visit www.abracon.com for Terms & Conditions of Sale
30332 Esperanza, Rancho Santa Margarita, California 92688
tel 949-546-8000 | fax 949-546-8001 | www.abracon.com

Revised: 04.30.13

SMD SHIELDED POWER INDUCTOR



12.95 x 9.04 x 5.08mm

ASPI-0804TS

RoHS/RoHS II Compliant

OPTIONS AND PART IDENTIFICATION

ASPI-0804TS - -

Inductance Code

Please refer to the table above

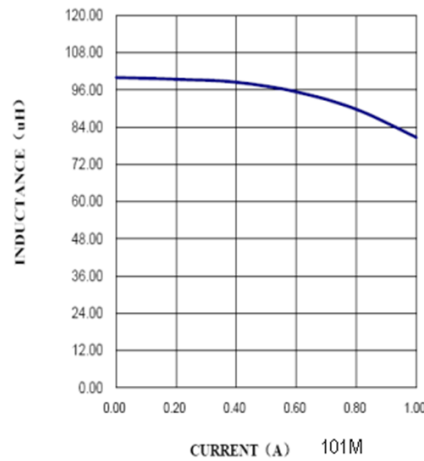
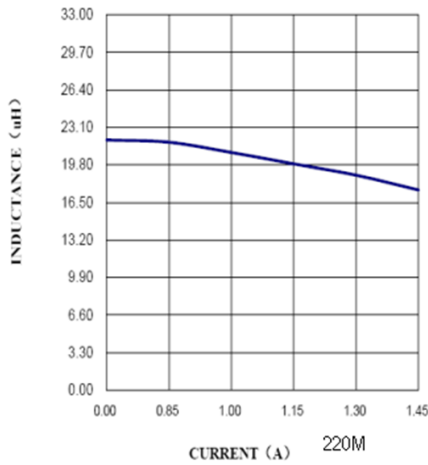
Tolerance %

M: ± 20%
N: ± 30%

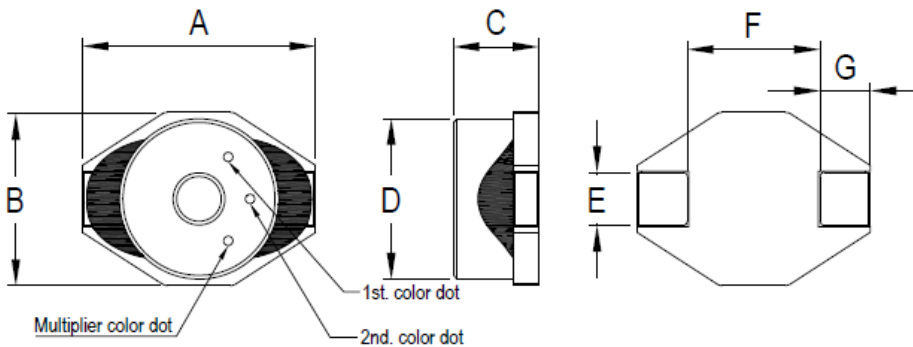
Packaging

T: Tape and Reel
(700pcs / reel)

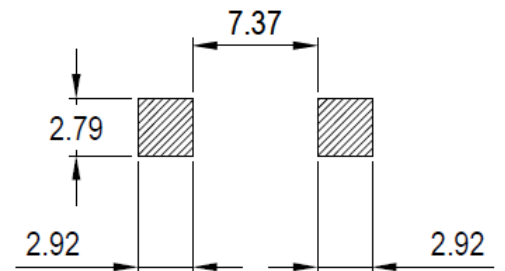
ELECTRICAL SPECIFICATION CHART



OUTLINE DIMENSIONS:



Recommended Land Pattern



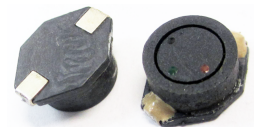
A max.	B max.	C max.	D ref.	E ref.	F ref.	G ref.
12.95	9.04	5.08	8.38	2.54	7.62	2.54

Dimension: mm

SMD SHIELDED POWER INDUCTOR

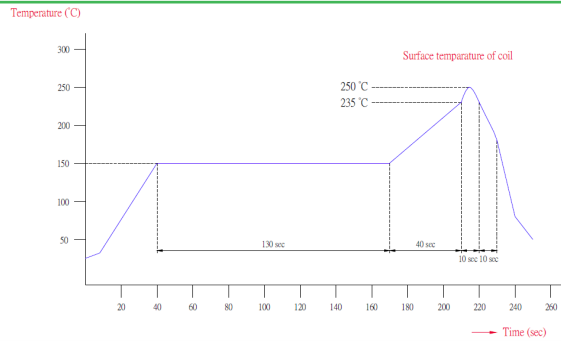
ASPI-0804TS

 RoHS/RoHS II Compliant



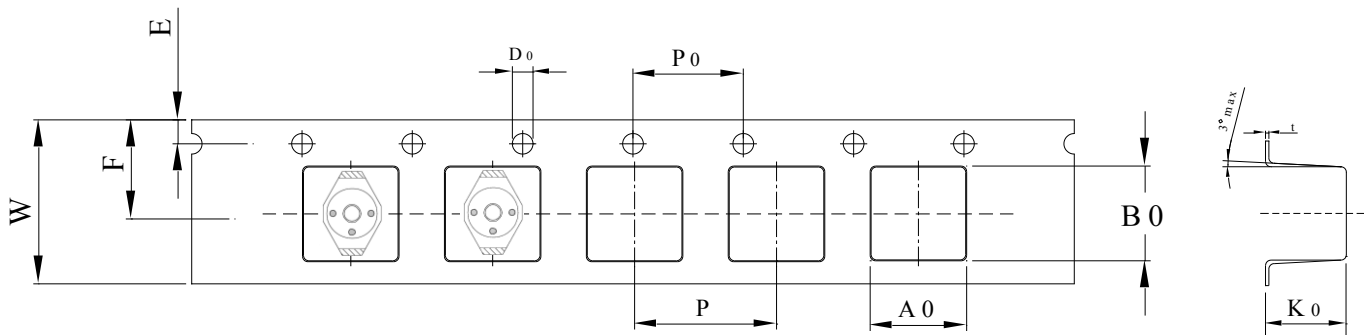
12.95 x 9.04 x 5.08mm

REFLOW PROFILE:

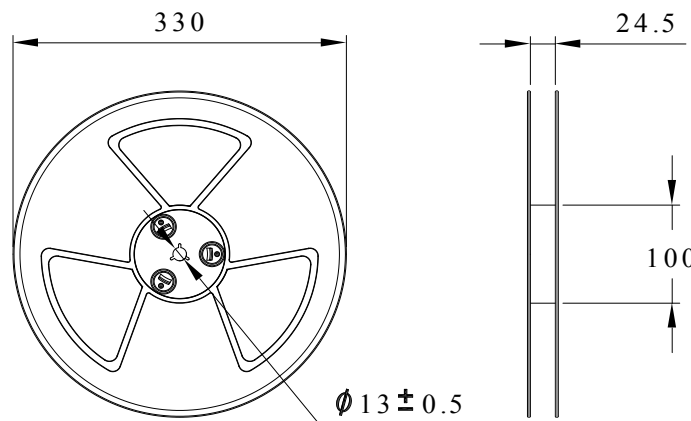


TAPE & REEL:

T: 700pcs / reel



W	E	F	P	A0	B0	D0	P0	K0	t
24±0.3	1.75±0.1	13.25±0.1	12.0±0.1	10.4±0.1	10.6±0.1	1.5±0.1	4.0±0.1	5.4±0.1	0.35±0.05



Dimension: mm

ATTENTION: Abracon Corporation's products are COTS – Commercial-Off-The-Shelf products; suitable for Commercial, Industrial and, where designated, Automotive Applications. Abracon's products are not specifically designed for Military, Aviation, Aerospace, Life-dependant Medical applications or any application requiring high reliability where component failure could result in loss of life and/or property. For applications requiring high reliability and/or presenting an extreme operating environment, written consent and authorization from Abracon Corporation is required. Please contact Abracon Corporation for more information.

ABRACON IS
ISO 9001:2008
CERTIFIED



Visit www.abracon.com for Terms & Conditions of Sale **Revised: 04.30.13**
30332 Esperanza, Rancho Santa Margarita, California 92688
tel 949-546-8000 | fax 949-546-8001 | www.abracon.com