

PLEASE CHECK WWW.MOLEX.COM FOR LATEST PART INFORMATION

Part Number: [35272-0310](#)
Status: **Active**
Description: 6.00mm Tab Wire-to-Wire Plug Housing, Secondary Lock, 3 Circuits

Documents:

[Drawing \(PDF\)](#) [Packaging Specification PK-35272-002 \(PDF\)](#)
[Product Specification PS-35270-001 \(PDF\)](#) [RoHS Certificate of Compliance \(PDF\)](#)

General

Product Family	Crimp Housings
Series	35272
Application	Power, Wire-to-Wire
Comments	Polarized to Mating Part
Product Name	N/A
UPC	800753126039

Physical

Circuits (maximum)	3
Color - Resin	Natural
Gender	Male
Glow-Wire Compliant	No
Keying to Mating Part	None
Lock to Mating Part	Yes
Material - Resin	Polyester
Net Weight	5.269/g
Number of Rows	2
Packaging Type	Bag
Panel Mount	Yes
Pitch - Mating Interface	6.00mm
Pitch - Termination Interface	9.00mm
Polarized to Mating Part	Yes
Stackable	No
Temperature Range - Operating	-40°C to +80°C

Electrical

Current - Maximum per Contact	6A
-------------------------------	----

Material Info

Reference - Drawing Numbers

Packaging Specification	PK-35272-002
Product Specification	PS-35270-001
Sales Drawing	SD-35272-0310

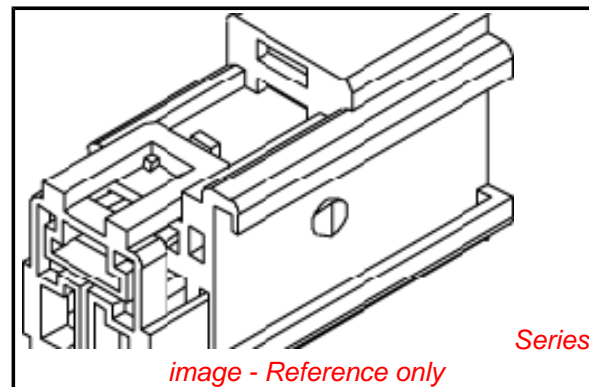


image - Reference only

EU RoHS

**ELV and RoHS
Compliant**
**REACH SVHC
Contains SVHC: No**
**Low-Halogen Status
Not Reviewed**

China RoHS



**Need more information on product
environmental compliance?**

Email productcompliance@molex.com
For a multiple part number RoHS Certificate of Compliance, [click here](#)

Please visit the [Contact Us](#) section for any non-product compliance questions.

Search Parts in this Series

[35272Series](#)

Mates With

[35270 Wire-to-Wire Receptacle Housing](#)

Use With

[35725 Slip-in Wire-to-Wire Terminal](#)