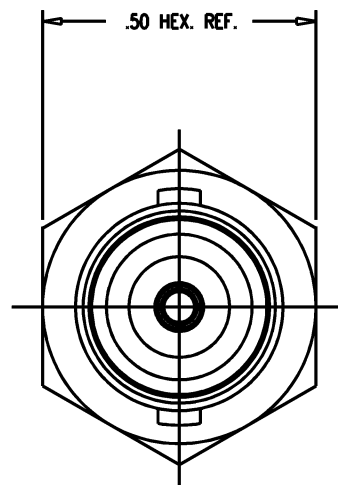
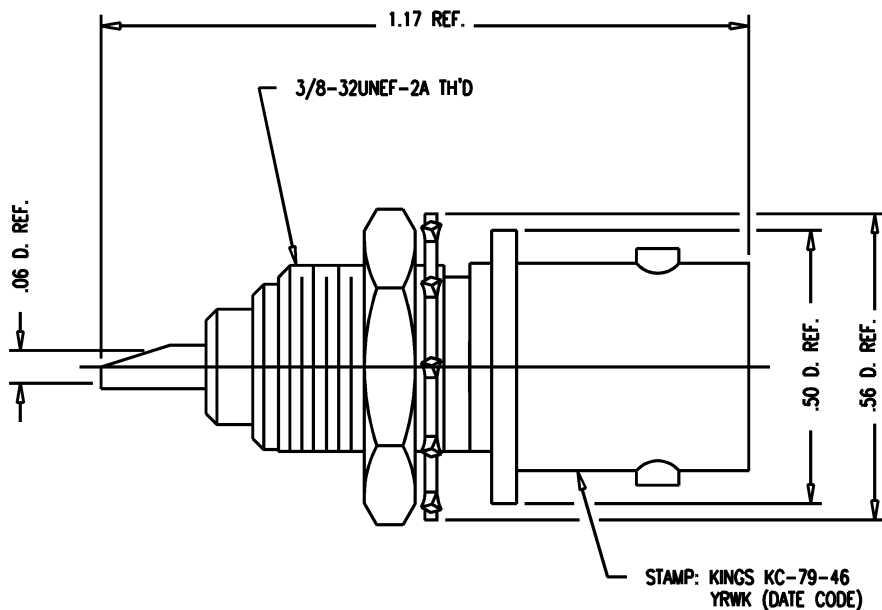


# GSD

KC-79-46

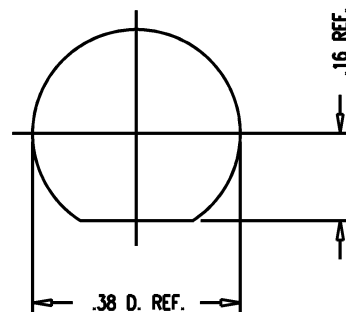
REVISIONS

ISSUE	CHANGES
4	CN 38074 E REDRAWN TML 09/22/00



NOTES:

- INTERFACE PER MIL-STD-348, FIG. 301-2.
- MATERIALS:  
INSULATOR: TEFLON, ASTM-D-1457  
LOCKWASHER: PHOSPHOR BRONZE, QQ-B-750  
CENTER CONTACT: BER. COPPER, ASTM-B-196  
ALL OTHER METAL PARTS: BRASS, ASTM-B16
- FINISHES:  
CENTER CONTACT: SILVER PLATE, PER QQ-S-365  
ALL OTHER METAL PARTS: KINGS TARNISH RESISTANT FINISH (TR-5)
- ELECTRICAL CHARACTERISTICS:  
NOMINAL IMPEDANCE: 50 OHMS  
WORKING VOLTAGE: 500 VRMS  
FREQUENCY RANGE: DC TO 4 GHz.



MOUNTING HOLE

# GSD

KC-79-46S

SCALE 4:1

APPROX SURFACE AREA

USED ON

REF:

RECEPTACLE, BULKHEAD, BNC

DRAWN A.T. DATE 08/09/65

DESIGN DATE

APPR. SM DATE 08/09/65

**KINGS**  
ELECTRONICS CO., INC.  
ROCK HILL, SOUTH CAROLINA 29730

KC-79-46