

**PLEASE CHECK WWW.MOLEX.COM FOR LATEST PART INFORMATION**

**Part Number:** [0945294107](#)  
**Status:** **Active**  
**Description:** 5.00mm (.197") Pitch RAST, Receptacle, Natural Color, PA Polyamide (Nylon) 6/6, 7 Circuits, Glow Wire Compatible

**Documents:**

[Drawing \(PDF\)](#) [Product Specification PS-94529-002 \(PDF\)](#)  
[Product Specification PS-94529-001 \(PDF\)](#) [RoHS Certificate of Compliance \(PDF\)](#)

**Agency Certification**

CSA LR19980  
 UL E29179

**General**

Product Family Crimp Housings  
 Series [94529](#)  
 Product Name Pitch 5 Edge Card

**Physical**

Breakaway No  
 Circuits (maximum) 7  
 Color - Resin Natural  
 Flammability 94V-0  
 Gender Female  
 Glow-Wire Compliant Yes  
 Lock to Mating Part Yes  
 Material - Resin Nylon  
 Number of Rows 1  
 Packaging Type Bag  
 Panel Mount No  
 Pitch - Mating Interface (in) 0.197 In  
 Pitch - Mating Interface (mm) 5.00 mm  
 Pitch - Term. Interface (in) 0.197 In  
 Pitch - Term. Interface (mm) 5.00 mm  
 Polarized to Mating Part Yes  
 Ports 1  
 Stackable No  
 Temperature Range - Operating -40°C to +105°C, -40°C to +85°C

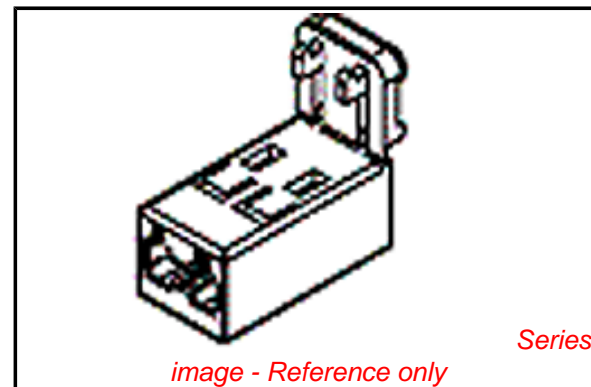
**Electrical**

Current - Maximum per Contact 6A

**Material Info**

**Reference - Drawing Numbers**

Product Specification PS-94529-001, PS-94529-002  
 Sales Drawing SD-94529-024



**EU RoHS**

**ELV and RoHS  
 Compliant**  
**REACH SVHC  
 Not Reviewed**  
**Halogen-Free  
 Status  
 Not Reviewed**

**China RoHS**



**Need more information on product  
 environmental compliance?**

Email [productcompliance@molex.com](mailto:productcompliance@molex.com)  
 For a multiple part number RoHS Certificate of Compliance, [click here](#)

Please visit the [Contact Us](#) section for any non-product compliance questions.

**Search Parts in this Series**

[94529Series](#)

**Mates With**

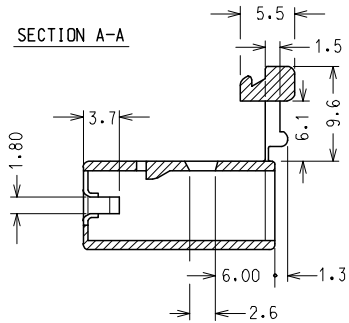
PCB thickness 1.50mm (.059")

**Use With**

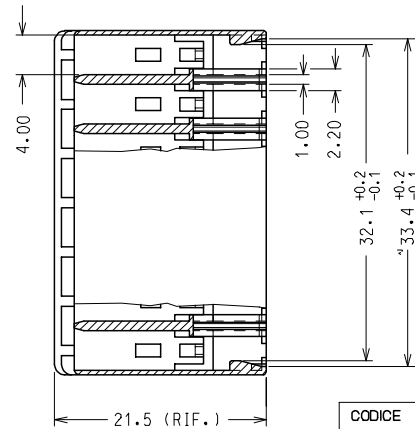
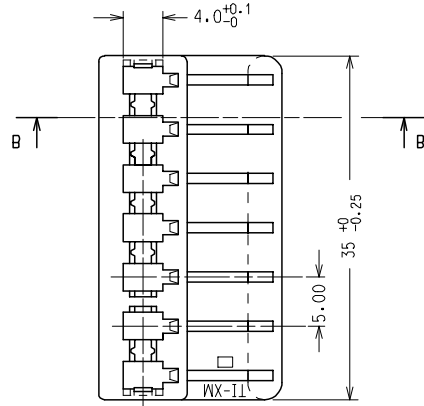
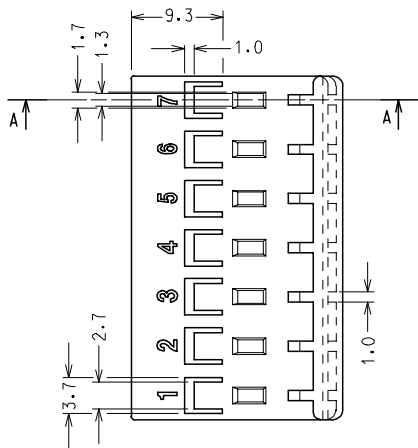
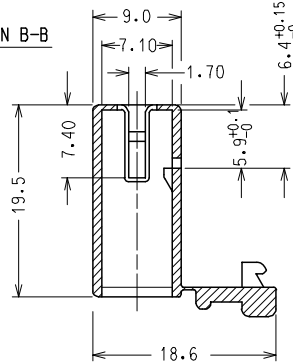
[94529-1203 Terminal](#)

10 9 8 7 6 5 4 3 2 1

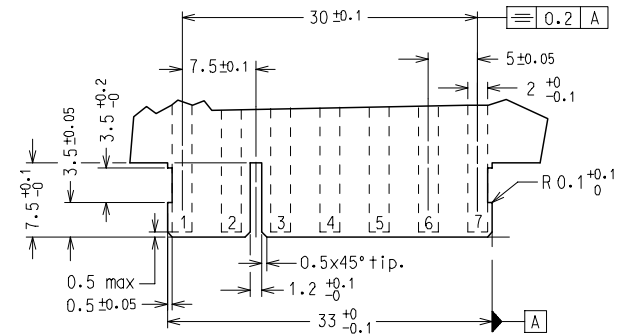
SECTION A-A



SECTION B-B



DIMA 7 VIE PER C.S. spess. 1.5 ±0.1  
 VISTA LATO COMPONENTI  
 RECOMMENDED PCB LAYOUT, PCB THICK.: 1.5 ±0.1  
 VIEW FROM COMPONENT SIDE



NOTA: LE DIMENSIONI VANNO MISURATE CON CORPI STABILIZZATI SECONDO NG 2301. (AUMENTO IN PESO DEL 2.7 %)

NOTE: PARTS SHALL BE DIMENSIONALLY CHECKED AFTER ATTAINING EQUILIBRIUM CONDITIONS E.G. 2.7 % INCREASE IN WEIGHT FOR HUMIDITY ABSORPTION FROM DRY STATUS.

CARATTERISTICHE PRODOTTO SECONDO PS-94529  
 PRODUCT CHARACTERISTICS ACCORDING TO PS-94529 E

CONFEZIONE: 3000 PZ. IN SCATOLA  
 PACKAGING: 3000 pcs IN CARTON BOX

CODICE	P/N	MATERIAL
94529-9107		PA 66 NAT. UL94 V2 GWT 850 °C
94529-4107		NYLON 6.6 GWT 750 °C sec. IEC 60335-1 TEST METHOD IEC 60695-2-11 NATURAL

SPQ: 3000 pz.

Descr. Std: HSG FOR FORK TERMINAL 7 CKT

ENTER DESCRIPTION EC NO: Z2006-0051 DRWN:FGOTTARDO 2005/10/12 CHKD:RSANDANO 2005/10/12 APPR:GZUIN 2005/10/14	QUALITY SYMBOLS ▽=0 ◁=0	GENERAL TOLERANCES (UNLESS SPECIFIED)		DIMENSION STYLE	SCALE	DESIGN UNITS	FIRST ANGLE PROJECTION 7 CKT HOUSING FOR STRAIGHT FORK TERMINAL MOLEX INCORPORATED SD-94529-024 SHEET NO. 1 OF 1
				MM ONLY	2:1	METRIC	
				DRAWN BY DATE	TITLE		
				FGOTTARDO 2000/11/21	7 CKT HOUSING FOR STRAIGHT FORK TERMINAL		
A1	REV	DRAWN BY DATE		APPROVED BY DATE		MATERIAL NO.	
		2 PLACES ±0.1		3 PLACES ±0.1		GZUIN 2000/11/21	
		3 PLACES ±0.1		4 PLACES ±0.1		SD-94529-024	
		4 PLACES ±0.1		ANGULAR ± 2 °		SEE TABLE	
DRAFT WHERE APPLICABLE MUST REMAIN WITHIN DIMENSIONS		THIS DRAWING CONTAINS INFORMATION THAT IS PROPRIETARY TO MOLEX INCORPORATED AND SHOULD NOT BE USED WITHOUT WRITTEN PERMISSION					

9 8 7 6 5 4 3 2 1