

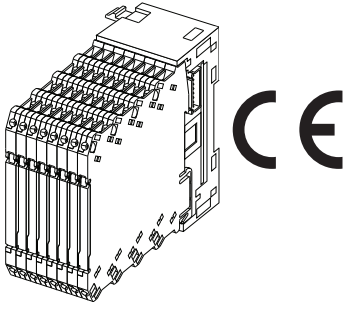
Remote I/O R6 Series

INSTALLATION BASE

(Tension clamp)

Functions & Features

- Installation base dedicated to Remote I/O R6 Series



MODEL: R6S-BS[1][2]

ORDERING INFORMATION

- Code number: R6S-BS[1][2]
- Specify a code from below for each of [1] and [2].
(e.g. R6S-BS8A/Q)
- Specify the specification for option code /Q
(e.g. /C01)

[1] NUMBER OF SLOTS

- 8A:** 8 I/O slots + Network Module (18 mm wide)
- 8B:** 8 I/O slots + Network Module (36.5 mm wide)
(Selectable only for using with R6-NF1, R6-NC3/W or R6-PSM)
- 8P:** 8 I/O slots for extension

[2] OPTIONS

- blank:** none
- /Q:** With options (specify the specification)

SPECIFICATIONS OF OPTION: Q

COATING (For the detail, refer to M-System's web site.)

Only solder side of the PWB is coated.

- /C01:** Silicone coating
- /C02:** Polyurethane coating

GENERAL SPECIFICATIONS

- Construction:** DIN rail or surface mounting
- Capacity:**
 - R6S-BS8A: I/O / power supply module, 8 slots + network (18 mm wide) module
 - R6S-BS8B: I/O / power supply module, 8 slots + network (36.5 mm wide) module

- R6S-BS8P: I/O / power supply module, 8 slots
- Housing material:** Flame-resistant resin (black)

INSTALLATION

- Operating temperature:** -10 to +55°C (14 to 131°F)
- Operating humidity:** 30 to 90 %RH (non-condensing)
- Atmosphere:** No corrosive gas or heavy dust
- Construction:** DIN rail or surface mounting
- Weight (No remote I/O module mounted)**
 - R6S-BS8A: 80 g (2.8 oz)
 - R6S-BS8B: 95 g (3.4 oz)
 - R6S-BS8P: 50 g (1.8 oz)

PERFORMANCE

- Insulation resistance:** $\geq 100 \text{ M}\Omega$ with 500 V DC
- Dielectric strength:** 2000 V AC @ 1 minute
(internal power or internal field signal to ground)

STANDARDS & APPROVALS

- EU conformity:**
 - EMC Directive
 - EMI EN 61000-6-4
 - EMS EN 61000-6-2
 - RoHS Directive

EXTERNAL VIEW

Mount I/O and power supply modules, starting from the left end.

The power supply module could be mounted at any slots, however, installing them at either end is generally recommended.

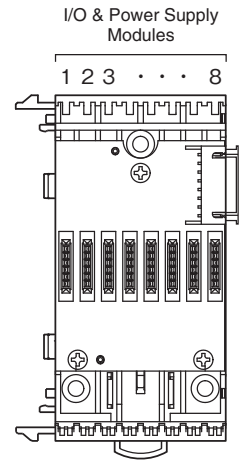
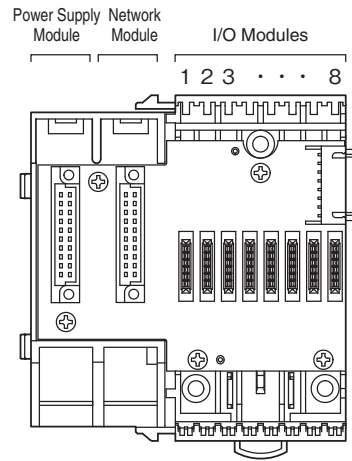
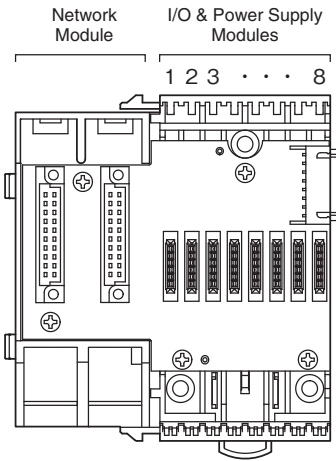
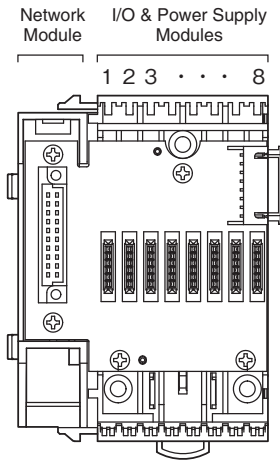
■ R6S-BS8A

■ R6S-BS8B

• R6-NF1

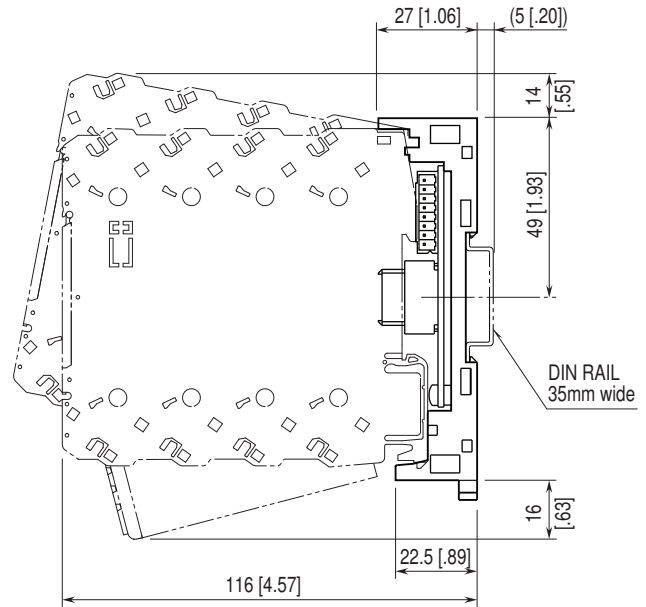
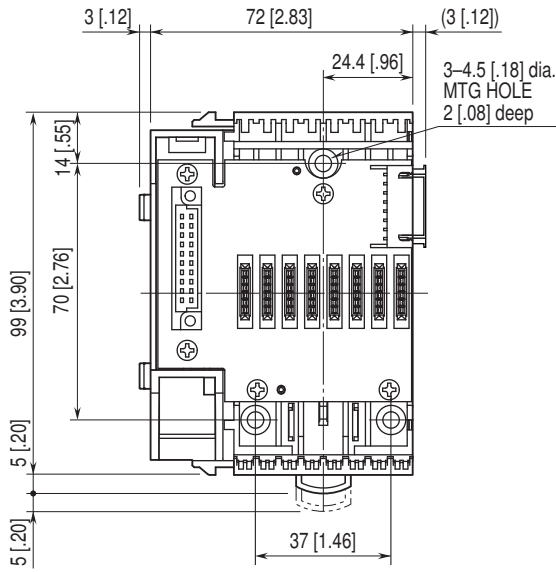
• R6-PSM

■ R6S-BS8P

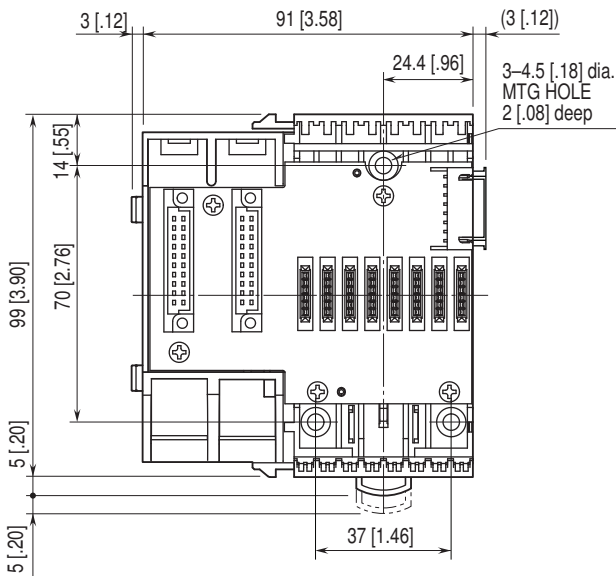


EXTERNAL DIMENSIONS unit: mm [inch]

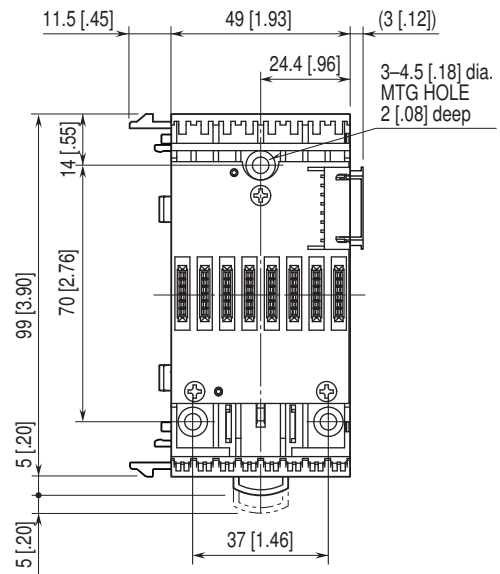
• R6S-BS8A



• R6S-BS8B



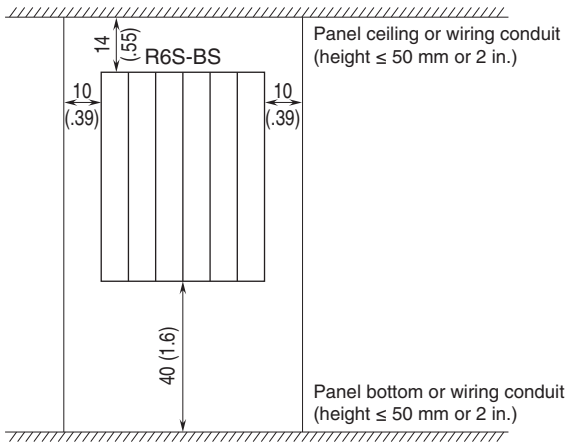
• R6S-BS8P



MOUNTING REQUIREMENTS unit: mm [inch]

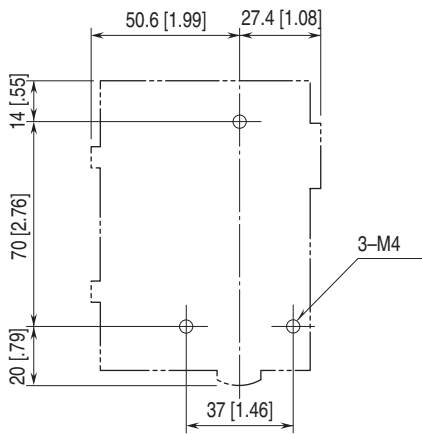
■ MOUNTING DIRECTION

The unit must be mounted on a vertical panel. Mounting in any other angle will cause internal temperature to rise, may shorten the product's life expectation or deteriorate its performance.

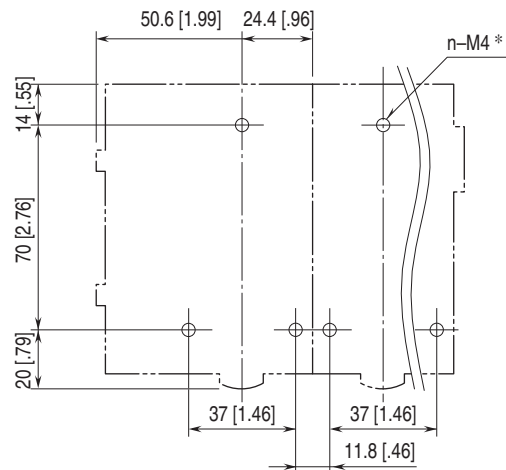


■ SURFACE MOUNTING

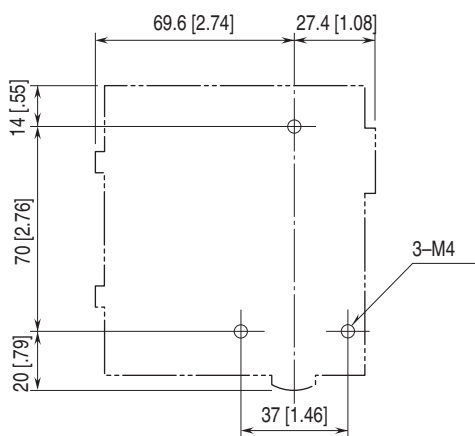
• R6S-BS8A



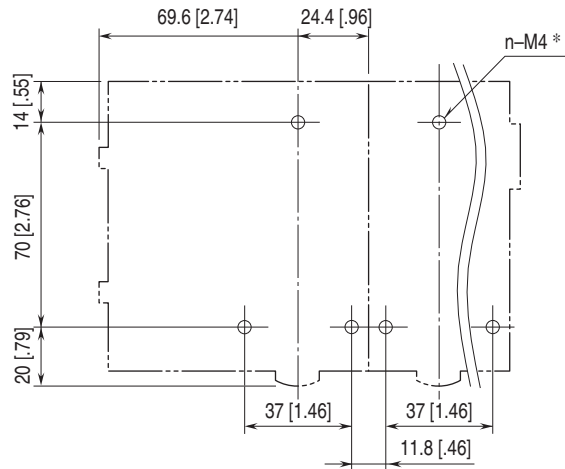
• R6S-BS8A+BS8P



• R6S-BS8B



• R6S-BS8B+BS8P



*Number of bases x 3



Specifications are subject to change without notice.