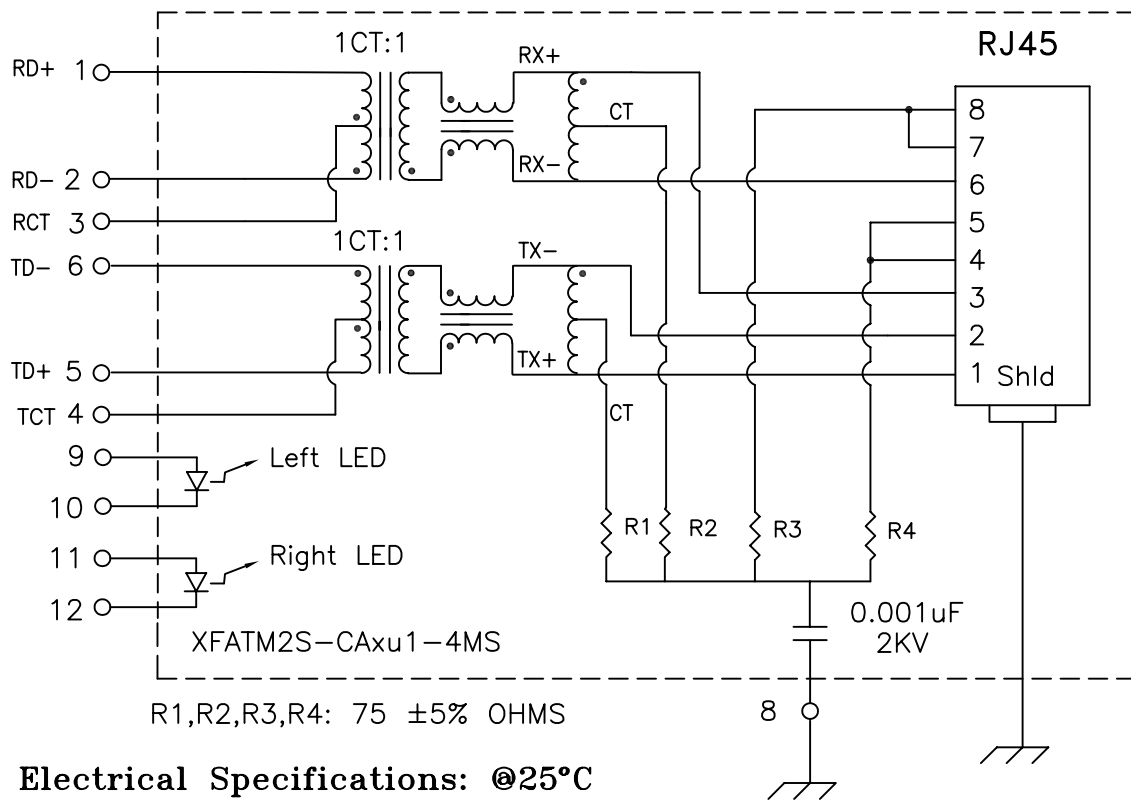


Schematic:



Electrical Specifications: @25°C

Isolation Voltage: 2250 Vrms (INPUT to OUTPUT)

UTP SIDE OCL: 350uH Min @100KHz 100mV 8mADC

Rise Time (10-90%): 2.5ns Typical

Insertion Loss (100KHz-999KHz): -1.0dB Maximum
 (1.0MHz-15.0MHz): -0.3dB Maximum
 (15.1MHz-60.0MHz): -0.6dB Maximum
 (60.1MHz-100MHz): -1.1dB Maximum

Return Loss: (100KHz-60.0MHz): -18dB Minimum
 (60.1MHz-80MHz): -15dB Minimum
 (80.1MHz-100MHz): -12dB Minimum

Crosstalk: (100KHz-60MHz): -43dB Minimum
 (60.1MHz-100MHz): -38dB Minimum

Common Mode to Differential Mode Rejection:

100KHz-60MHz -46dB Min (Tx) / -35dB Min (Rx)

60MHz-100MHz -42dB Min (Tx) / -33dB Min (Rx)

PRELIMINARY

Notes:

1. Solderability: Leads shall meet MIL-STD-202, Method 208D for solderability.
2. Flammability: UL94V-0
3. ASTM oxygen index: > 28%
4. Temperature rating: 155°C. UL file E151556
5. Operating Temperature Range: 0°C to +70°C

Complete the Combo P/N as follows:

Replace 'x' & 'u' in the part number with one of the five LED color letters:

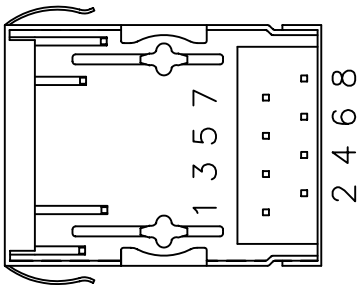
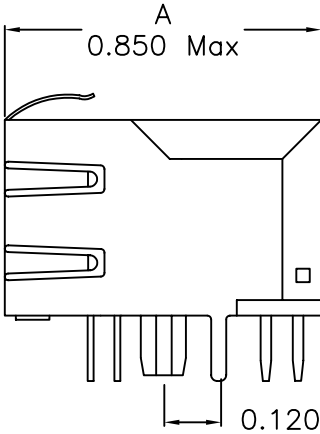
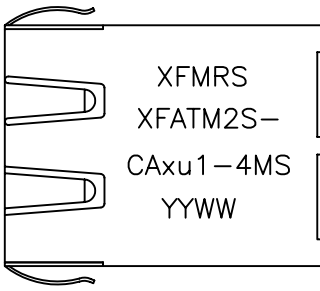
'x' = Left LED Color
 'u' = Right LED Color

Y=Yellow
 G=Green
 A=Amber
 R=Red
 YG=Yellow/Green Bicolor

DOC. REV: A/3

XFMRs Inc.	Title: SINGLE PORT COMBO		
UNLESS OTHERWISE SPECIFIED	P/N: XFATM2S-CAxu1-4MS	REV. A	
TOLERANCES: .xxx ±0.010	DWN.	刘鹏	Sep-04-02
Dimensions in Inch	CHK.	李小锋	Sep-04-02
SHEET 1 OF 2	APP.	Isaiah M	Sep-04-02

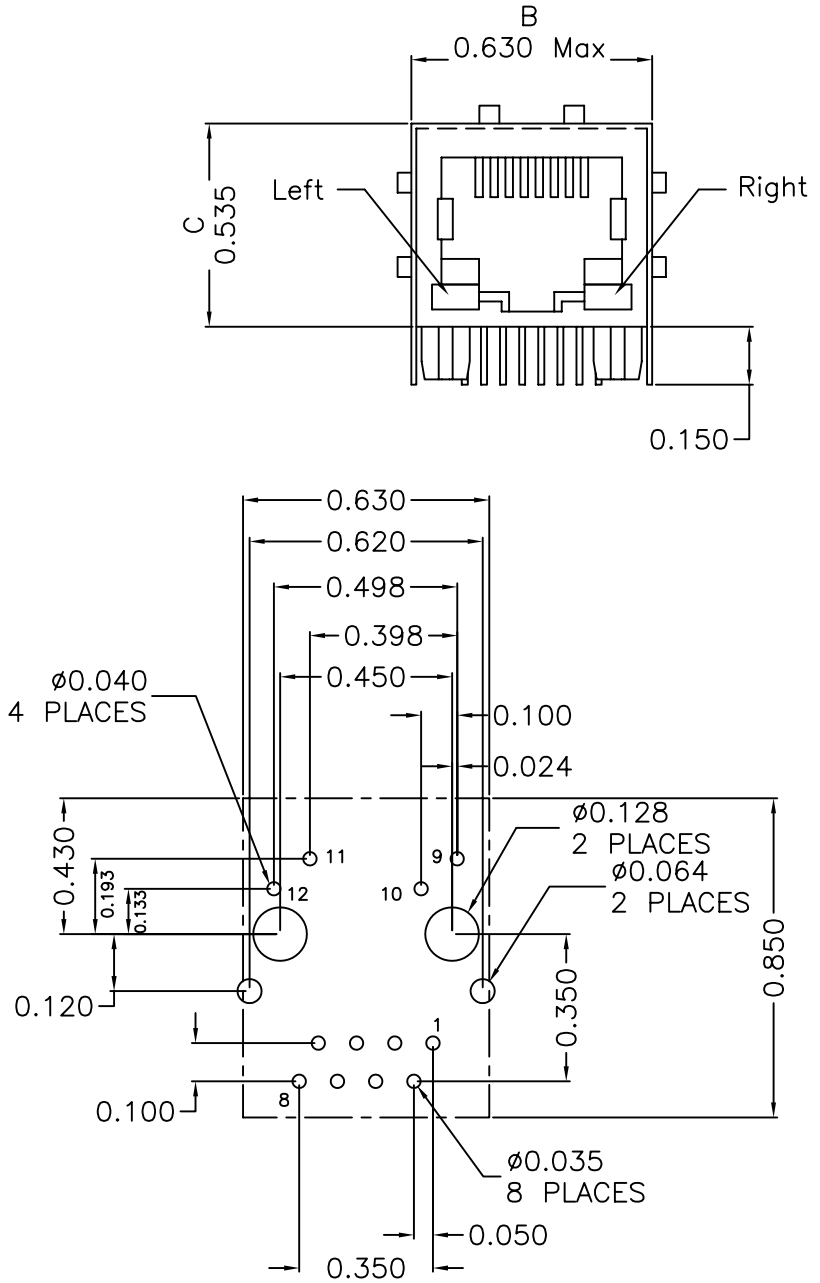
Mechanical Dimensions:



(BOTTOM VIEW)

Mounting Pattern:

(COMP SIDE)



Complete the Combo P/N as follows:

Replace 'x' & 'u' in the part number with one of the five LED color letters:

- 'x' = Left LED Color
- 'u' = Right LED Color
- Y=Yellow
- G=Green
- A=Amber
- R=Red
- YG=Yellow/Green Bicolor

PRELIMINARY

DOC. REV: A/3

XFMRS Inc. UNLESS OTHERWISE SPECIFIED TOLERANCES: .xxx ±0.010 Dimensions in Inch	Title: Mechanical Dimensions For CAxu1-4MS Series	
	P/N: XFATM2S-CAxu1-4MS	REV. A
DWN.	刘鹏	Sep-04-02
CHK.	李小锋	Sep-04-02
SHEET 2 OF 2	APP. Isaiah M	Sep-04-02