

APPROVAL SPECIFICATIONS

Title. IPX6 防水3.5耳机插座

Product Model. PJ-5411-BS1

Customer's Part NO.

Customer's Model:

Customer's Approval Requested.

Please return this copy as a certification of your approval.

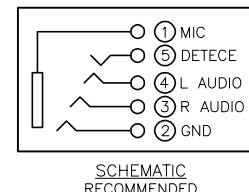
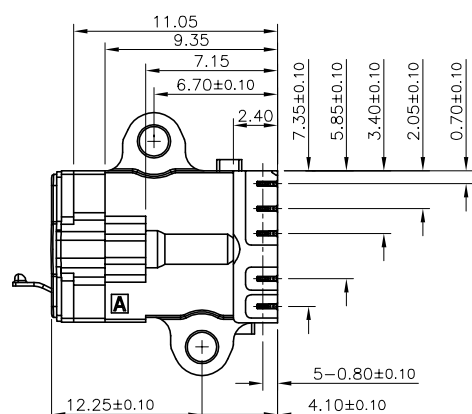
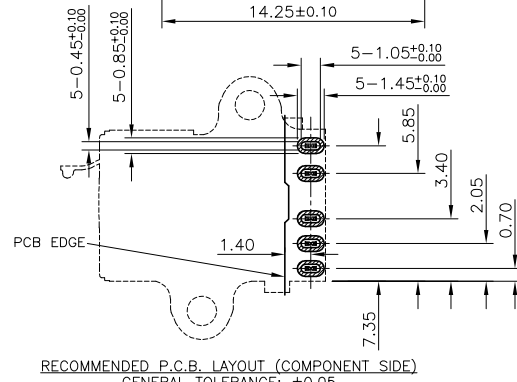
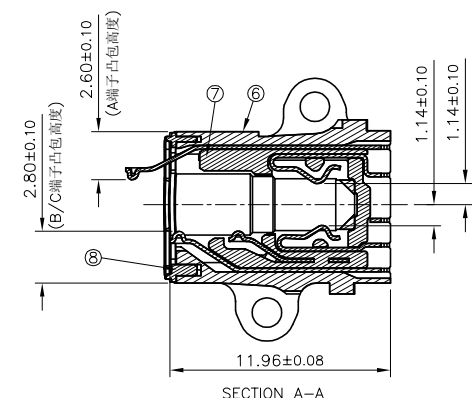
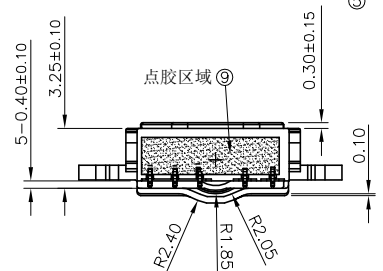
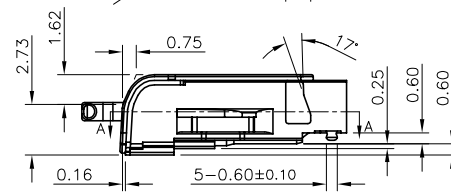
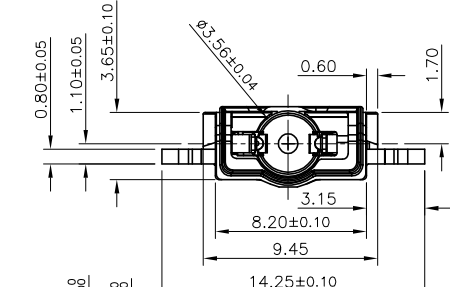
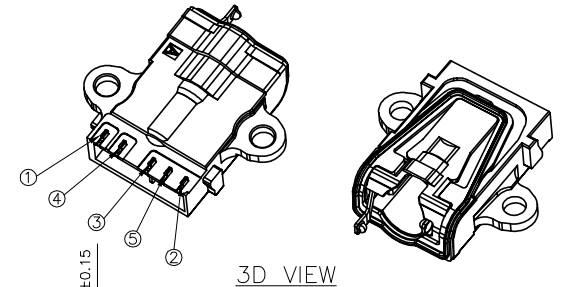
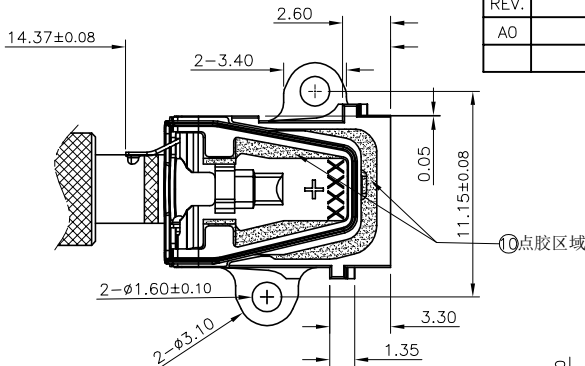
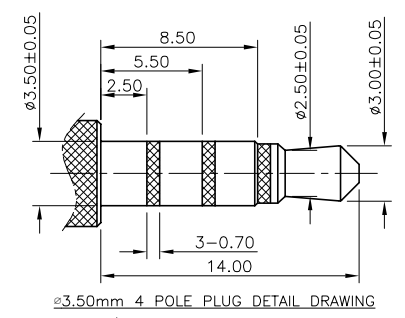
Checked by: _____ Date: _____

Approved by: _____ Date: _____

APPROVE	REVIEW	POLT
王凯	林永坚	陈旺

XUNPU ELECTRONICS CO.,LTD

REVISIONS					
REV.	ECN NO.	LOCATION	DESCRIPTION	DATE	DESIGN
A0	N/A		INITIAL RELEASE		



- NOTES:
- CONTACT CURRENT RATING:1A;
 - CONTACT RESISTANCE:50mΩ MAX;
 - INSULATION RESISTANCE:100MΩ MIN;
 - DIELECTRIC WITHSTANDING:500V AC MIN;
 - DURABILITY:10,000CYCLES MIN;
 - INSERTION FORCE:2.0KgF (20N) Max;
 - EXTRACTION FORCE:
(1) INITIAL:0.7~2.0KgF(7~20N);
(2) AFTER DURABILITY: 0.4~2.0KgF(4~20N);

10	GLUE WATER 2	1 g	EPOXY EP EPOXY RESINS	BLACK
09	GLUE WATER 1	1 g	EPOXY EP EPOXY RESINS	BLACK
08	RUBBER	1 g	LIQUID SILICONE RUBBER	RED
07	PUSH HOUSING	1 PCS	PA10T+40%G.F (640NH)	BLACK, UL94-HB
06	HOUSING	1 PCS	PA10T+40%G.F (640NH)	BLACK, UL94-HB
05	CONTACT E	1 PCS	SUS301R-H, T=0.20	CONTACT: 2u"Au, SOLDER: 1u"Au;NI :80u"Min
04	CONTACT D	1 PCS	SUS301R-H, T=0.20	CONTACT: 2u"Au, SOLDER: 1u"Au;NI :80u"Min
03	CONTACT C	1 PCS	C5191R-H, T=0.20	CONTACT: 2u"Au, SOLDER: 1u"Au;NI :80u"Min
02	CONTACT B	1 PCS	C5191R-H, T=0.20	CONTACT: 2u"Au, SOLDER: 1u"Au;NI :80u"Min
01	CONTACT A	1 PCS	C5191R-H, T=0.20	CONTACT: 2u"Au, SOLDER: 1u"Au;NI :80u"Min
ITEM	PART NAME	Q'TY	MATERIAL	DESCRIPTION

This document is the property of GETWELL development corporation.

東莞市訊普電子科技有限公司

Unless Otherwise specified, Tolerance: X. ±0.30 X.x ±0.20 X.xx ±0.15 X.xxx ±0.10 ANGLES ±3°	DESIGN:	DATE:	TITLE: PHONE JACK CUSTOMER DRAWING	
	CHECKED:	DATE:	REV.: A0	SCALE: 3:1
	APPROVED:	DATE:	UNIT: mm	
	PART NO.: PJ-5411-BS1		SIZE: A4	SHEET: 1/1
	DRAWING NO.:			