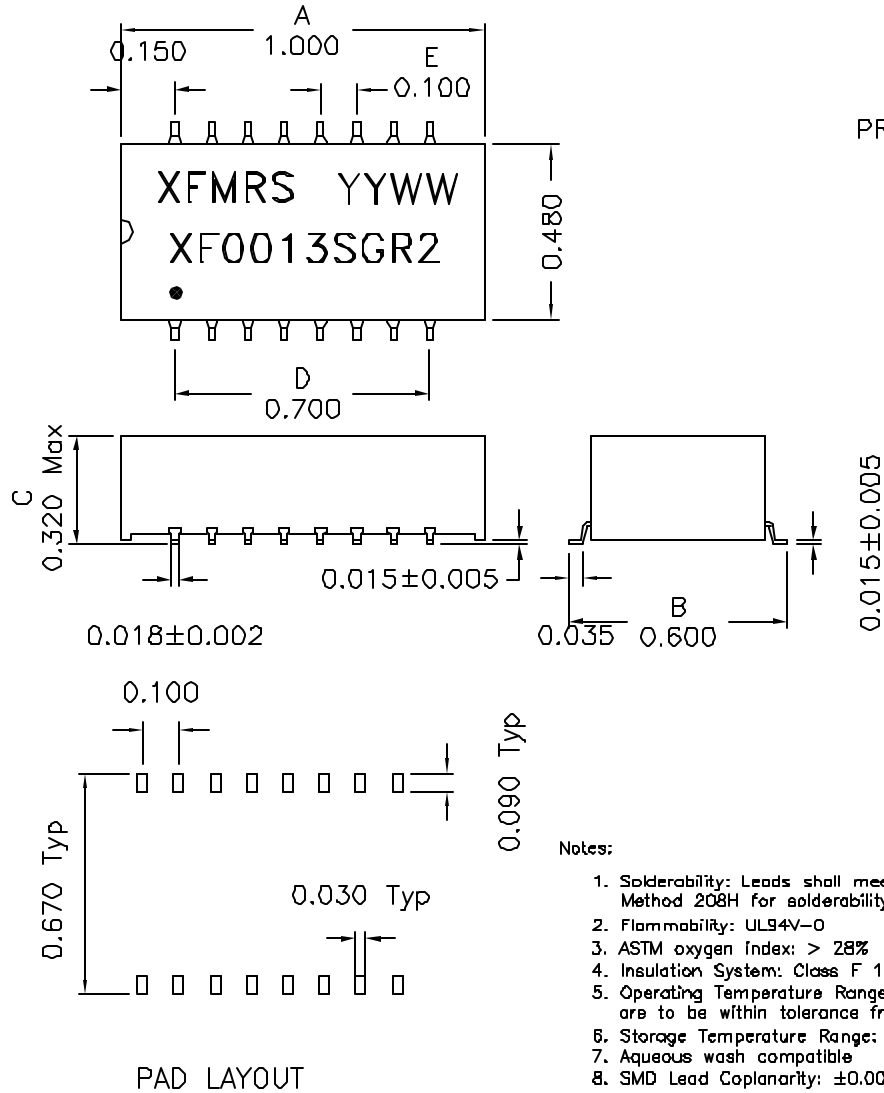


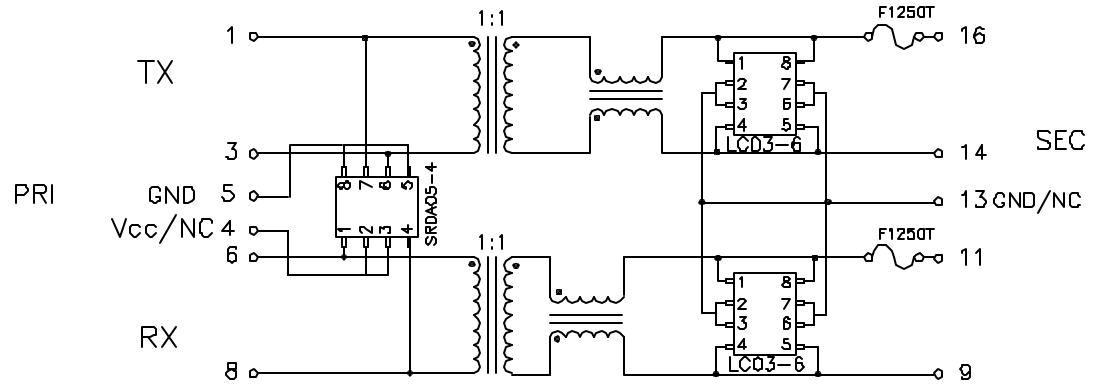
## 1. Mechanical Dimensions:



### Notes:

- Solderability: Leads shall meet MIL-STD-202G, Method 208H for solderability.
- Flammability: UL94V-0
- ASTM oxygen index: > 28%
- Insulation System: Class F 155°C. UL file E151556
- Operating Temperature Range: All listed parameters are to be within tolerance from -40°C to +85°C
- Storage Temperature Range: -55°C to +125°C
- Aqueous wash compatible
- SMD Lead Coplanarity: ±0.004\*(0.102mm)
- Electrical and mechanical specifications 100% tested
- RoHS Compliant Component

## 2. Schematic:



Pins 4 and 13: Refer to Semtech datasheet for connection options.

## 3. Electrical Specifications: @25°C

- Isolation Voltage: 1500Vrms
- Turns Ratio: Pins (1-3):(16-14)=1:1±3%
- Turns Ratio: Pins (6-8):(11-9)=1:1±3%
- OCL: Pins 1-3 1.2mH Typ @100KHz 50mV
- OCL: Pins 6-8 1.2mH Typ @100KHz 50mV
- CW/W: 35pF Max @100KHz 50mV (PRI/SEC)
- PRI LL: 0.4uH Max @100KHz 50mV, Short SEC
- PRI DCR: 0.700 Ohms Max
- Common Mode Attenuation: @300KHz 11dB Typ
- @1MHz 27dB Typ @10MHz 40dB Typ
- @30MHz 44dB Typ @50MHz 42dB Typ
- @100MHz 36dB Typ @300MHz 26dB Typ
- @500MHz 17dB Typ

DOC REV: A/5

**PROPRIETARY** Document is the property of XFMR5 Group & is not allowed to be duplicated without authorization.

<b>XFMR5 Inc</b> www.XFMR5.com	Title: SINGLE PORT T1/CEPT/ISDN-PRI TRANSFORMER		
UNLESS OTHERWISE SPECIFIED TOLERANCES: .xxx ±0.010 Dimensions in INCH	P/N: XF0013SGR2	REV. A	
	DWN.	Juan Mao	Jul-10-06
	CHK.	YK Liao	Jul-10-06
SCALE 2:1 SHT 1 OF 1	APP.	BW	Jul-10-06