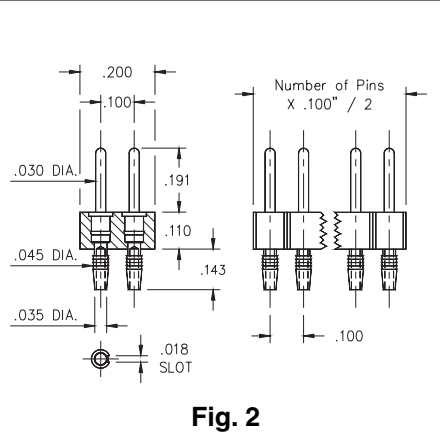
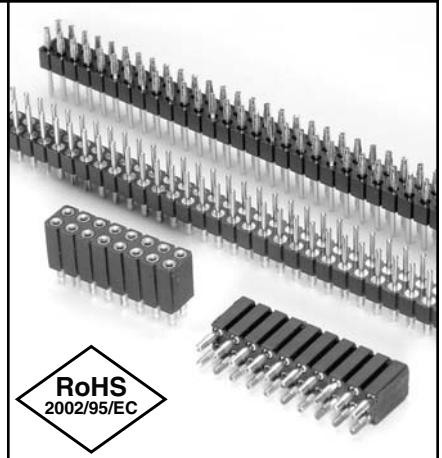
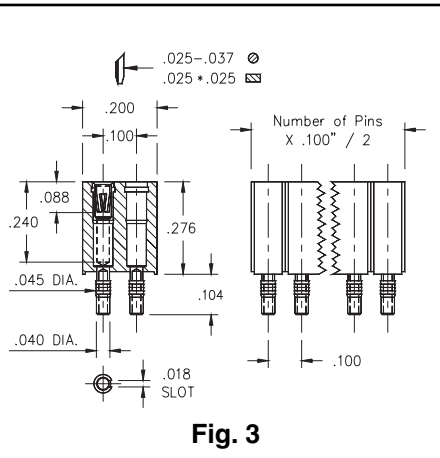


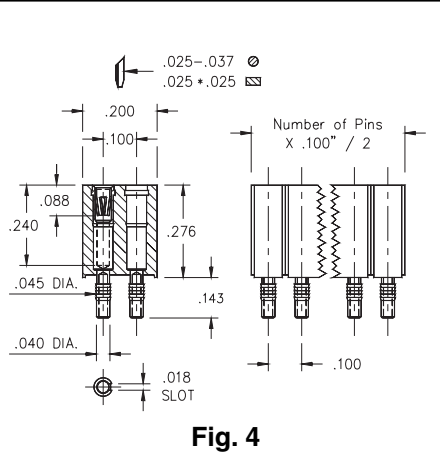
- The unique compliant tail pins conform to  $.040 \pm .003$  finished hole without stressing inner layers. Patent No. 4,799,904
- Series 802 pin headers are offered in two tail lengths for .060"-.100" (MM #5601) and .090"-.130" (MM #5602) thick panels. See page 187 for details.
- Series 803 sockets MM #4614 or #4615 use Hi-Rel, 6-finger BeCu #47 contacts rated at 4.5 amps. Receptacles accept .030" diameter pins & .025" square pins. See page 221 for details.
- Insulators are high temp. thermoplastic.



<b>Ordering Information</b>	
<b>Fig. 1</b>	<b>Compliant Tail Pin Header for .060 - .100" thick boards</b>
	802-XX-0 __ -61-001000 Specify # of pins      ↳      02-64
<b>Fig. 2</b>	<b>Compliant Tail Pin Header for .090 - .130" thick boards</b>
	802-XX-0 __ -62-001000 Specify # of pins      ↳      02-64



<i>For Electrical, Mechanical &amp; Environmental Data, See pg. 4</i>	<i>XX=Plating Code See Below</i>	<i>For RoHS compliance select ◇ plating code.</i>		
SPECIFY PLATING CODE XX=	<b>10</b> ◇	<b>90</b>	<b>40</b> ◇	
Pin Plating	10μ" Au	200μ" Sn/Pb	200μ" Sn	



<b>Fig. 3</b>	<b>Compliant Tail Socket for .060 - .100" thick boards</b>				
	803-XX-__ -61-001000 Specify # of pins      ↳      002-100				
<b>Fig. 4</b>	<b>Compliant Tail Socket for .090 - .130" thick boards</b>				
	803-XX-__ -62-001000 Specify # of pins      ↳      002-100				
<i>For Electrical, Mechanical &amp; Environmental Data, See pg. 4</i>	<i>XX=Plating Code See Below</i>	<i>For RoHS compliance select ◇ plating code.</i>			
SPECIFY PLATING CODE XX=		<b>93</b>	<b>99</b>	<b>43</b> ◇	
Sleeve (Pin)		200μ" Sn/Pb	200μ" Sn/Pb	200μ" Sn	
Contact (Clip)		30μ" Au	200μ" Sn/Pb	30μ" Au	