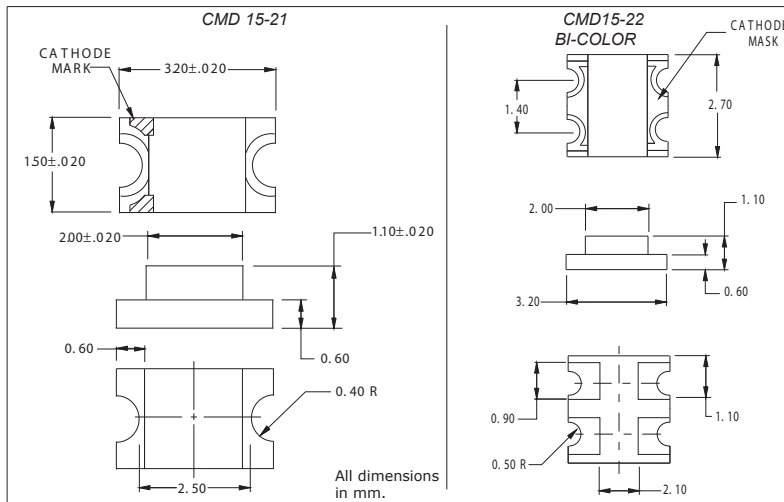


CMD15-21 & 22 Series SMT LEDs 1206 Package Size

Description and Features



Surface Mount Technology

- Tape and reel packaged for high-speed autoinsertion.
- Convection and vapor-phase reflow compatible.
- Compact form enables high density placement.
- Packaged 2000 pieces per reel.

Leading Edge LED Optoelectronic Performance

- Consistent high brightness.
- Integral lensing for narrow angle light dispersion.
- Bi-color available.

Exceptional Reliability

- Stringent process controls assure quality.
- Extensive qualification testing to meet strictest requirements.
- Designed to permit easy post-reflow solder joint inspection.
- Refer to "Solder Pad Geometry 3.pdf"

Electro-Optical Characteristics

Part Number	Emitted Color	Lens Color	Luminous Intensity		Forward Voltage		Test Current (mA)	Peak Wavelength (nm)
			Min. (mcd)	Typ. (mcd)	Typ. (V)	Max. (V)		
CM D15-21S RC/TR8	Super Red	Clear	6.0	15.0	1.7	2.4	20	660
CM D15-21V RC/TR8	H.E.Red	Clear	3.6	6.0	2.0	2.8	20	640
CM D15-21V YC/TR8	Yellow	Clear	3.6	6.0	2.0	2.8	20	585
CM D15-21V GC/TR8	Green	Clear	6.0	10.0	2.1	2.8	20	570
CM D15-21U BC/TR8	Blue	Clear	19.0	45.0	4.9	5.5	20	430
CM D15-21U GC/TR8	Green	Clear	7.0	12.0	2.1	2.8	20	565
CM D15-21V RD/TR8	H.E.Red	Red Diffused	2.4	4.0	2.0	2.8	20	640
CM D15-21V GD/TR8	Clear	Green Diffused	5.5	6.5	2.1	2.8	20	570
CM D15-21V YD/TR8	Clear	Yellow Diffused	3.7	4.0	2.0	2.8	20	585
CM D15-21U YC/TR8	Super Yellow	Clear	27.0	47.0	2.1	2.8	20	590
CM D1521U SOC/TR8	Sunset orange	Clear	17.0	31.0	2.1	2.8	20	620
CM D1522V RVGC/TR8	H.E.Red	Clear	3.6	20.0	2.8	2.8	20	640
	Green	Clear	6.0	10.0	2.1	2.8	20	570
CM D15-22S RUGC/TR8	Red	Clear	9.0	15.0	1.7	2.4	20	660
	Green	Clear	7.0	12.0	2.1	2.8	20	565

Absolute Maximum Ratings

	Green	H.E.Red	Yellow	Red	Units
Power Dissipation.....	105	105	105	100	mW
Storage/Operating Temperature.....	-40 to +85	-40 to +85	-40 to +85	-40 to +85	°C
Peak Forward Current (1µs @ 10% duty cycle).....	150	150	150	150	mA
Reverse Voltage (IR=100µA).....	5.0	5.0	5.0	5.0	V
Lead Solder Time @ 260°C.....	5	5	5	5	Seconds
Average Forward Current.....	25	30	30	30	mA