

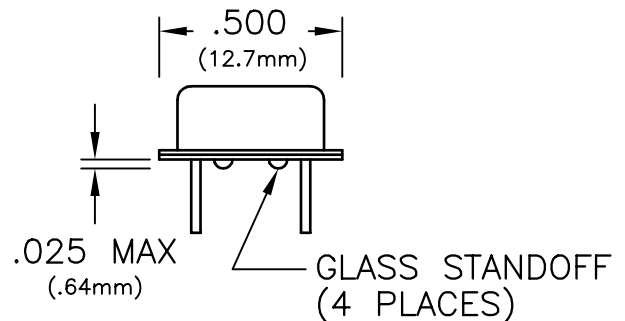
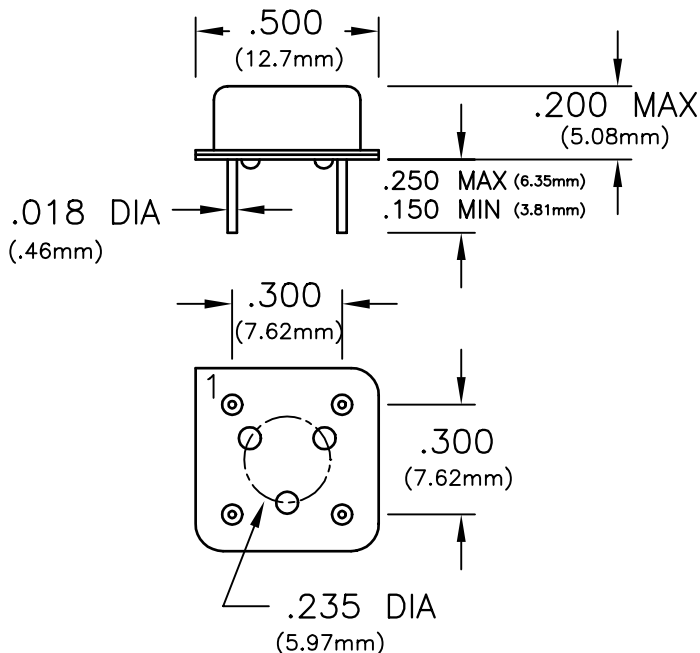


CONNOR-WINFIELD CORPORATION

AURORA, IL. 60505
 PHONE (630) 851-4722
 FAX (630) 851-5040

8 PIN DIP HCMOS

SPECIFICATIONS	S61	S62	S63	
Frequency Range	1.8432MHz to 70MHz			
Frequency Stability	±25ppm	±50ppm	±100ppm	
	(Inclusive of calibration tolerance at 25°C, operating temperature range, input voltage change, load change, aging, shock and vibration)			
Temperature Range	-40°C to +85°C			
Output	Waveform	HCMOS Squarewave		
	Load	50pF		
	Voltage	Voh	4.5V Minimum	
		Vol	0.5V Maximum	
	Current	Ioh	-16mA	
		Iol	16mA	
	Duty Cycle	45/55 Maximum		
Rise/Fall Time	7nS Maximum			
Start Up Time	10mS Maximum			
Supply Voltage	+5Vdc ±10%			
Supply Current	70mA Maximum			
Package	All metal, hermetically sealed, welded package			



PIN	CONNECTION
1	N/C
4	GROUND (CASE)
5	OUTPUT
8	(+) SUPPLY

Dimensional Tolerance ±.005

Specifications subject to change without notice

BULLETIN #: HC139
 PAGE 1 OF 1

REV: 00
 DATE: 10/23/96

ISSUED BY: _____