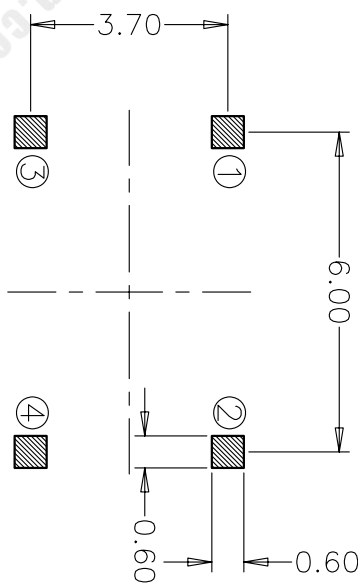
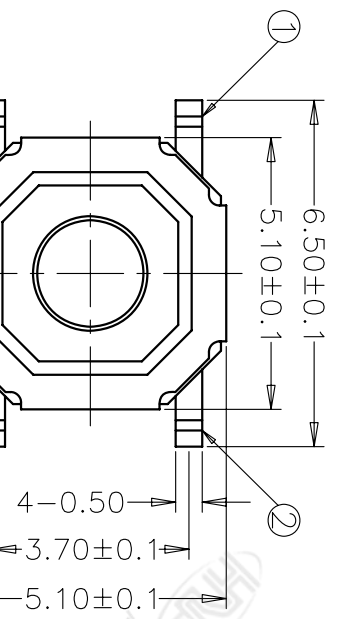
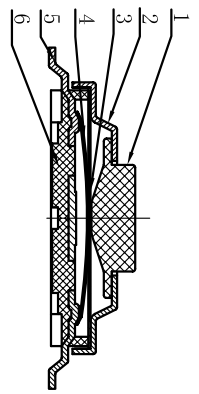
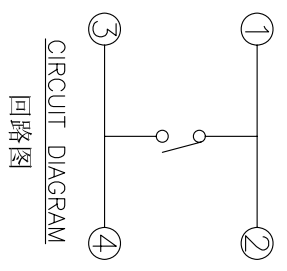
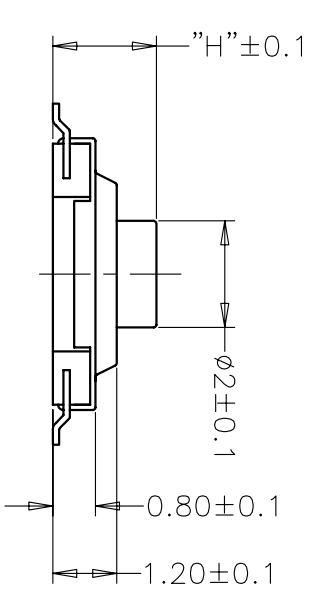


REV	ECN NO.	APPD
A	HC-16-0124	Z0



额定负荷 Rating	DC 12V/20mA
接触电阻 Contact Resistance	100mΩ max
绝缘电阻 Insulation resistance	DC:100V 60S 100MΩ min
抗电强度 Dielectric strength	AC250V(50~60HZ) 60S
操作力 Operation force	160±30gf / 250±50gf
寿命试验 Operating Life	1,00,000 cycles / 100,000 cycles
行程 Travels	0.20±0.1mm

RECOMMENDED P.C.B. LAYOUT
安装尺寸图



PRODUCT NO.: 1TS001G****-****-**** - CT

- 轻触开关
- 4x4系列
- 外形:
- 按钮颜色:
- 底座颜色:
- 盖板颜色:
- 操作力度:
- 手感:
- 产品高度(H):
- 材料:
- 非编带, 不启用
- 编带
- 初始颜色, 则不启用
- 130=130gf
- 160=160gf
- 180=180gf
- 250=250gf
- 0=常规(弹片)
- 1=大手感(弹片)
- 2=小手感(弹片)
- 3=特殊手感(弹片)
- 0=初始材料
- 1=新增材料
- 依次增加
- 150=1.50mm
- 160=1.60mm
- 170=1.70mm

ITEM	PART NAME	QUANTITY	MATERIAL	FINISH
6	HOUSING	1	LCP	BLACK
5	TERMINAL	4	BRASS	Ag-plating
4	DOME	1	SUS	Ag-plating
3	PE-FILE	1	0.05	YELLOW
2	COVER	1	SUS	PRIMARY
1	ACTUATOR	1	BRASS	YELLOW

X. ±	0.2	X' ±	3'	UNITS	MM
X ±	0.1	X' ±	2'	MAT'L	
.XX ±	0.05	.XX' ±	1'	FINISH	
.XXX ±	0.03	.XXX' ±	0.5'		

NAME(INTENDED USE)	4X4 TACT SWITCH	PART NO.(INTENDED USE)	1TS001G-****-****0
APPD:	Z0 11/30/2016	CHKD:	M.H.LI 11/30/2016
DR:	Y.Chen 11/30/2016		
TITLE:	PRODUCT DRAWING		
DWG NO.:	1TS001G		

HON YUAN	HON YUAN PRECISION IND. CO.,LTD.	SHENZHEN, CHINA.
SCALE SHEET	10/1	REV. A

THESE DRAWINGS AND SPECIFICATIONS ARE THE PROPERTY OF HON YUAN PRECISION IND. CO., LTD. AND SHALL NOT BE REPRODUCED, COPIED OR USED IN ANY MANNER WITHOUT THE PRIOR WRITTEN CONSENT OF HON YUAN PRECISION IND. CO., LTD.