

PULSEJACK™



Low Profile 1x1 Tab-Up

Description:




10/100/1000 Base-T RJ45 single port (1x1) Tab-UP integrated magnetics connector, designed to support applications, such as Network Interface Cards (NIC), LAN-on-Motherboard (LOM), and PC applications.



Features and Benefits:

-  RoHS “NL” peak solder rating 260°C
-  Low height and small footprint to minimize board space

Electrical Performance Summary:

-  Meets IEEE 802.3 specification
-  350µH minimum OCL with 8mA bias current
-  High performance for maximum EMI suppression

Electrical Specifications @ 25°C — Operating Temperature 0°C to +70°C

Part Number	Magnetics/Speed	Speed	Side EMI Tabs	Insertion Loss TX/RX (dB)					Return Loss (dB TYP) 100Ω (±15Ω)			Crosstalk (dB TYP)			Common Mode Rejection (dB TYP)	Hipot (MIN)
				1-100 MHz	1-10 MHz	30 MHz	60-80 MHz	80-100 MHz	1-10 MHz	32-65 MHz	65-100 MHz	1-125 MHz				
J0G-0001NL	8 core / T/C	10/100/1000BT	Horizontal	-1.2	-18	-18	-12	-10	-40	-35	-30	-30	1500Vrms			
J0G-0002NL	8 core / T/C	10/100/1000BT	Vertical	-1.0	-18	-18	-12	-10	-40	-35	-30	-30	1500Vrms			
J0G-0003NL	8 core / T/C	10/100/1000BT	No Tabs	-1.0	-18	-18	-12	-10	-40	-35	-30	-30	1500Vrms			
J0G-0007NL	4 core / C/T	10/100BT	Horizontal	-1.0	-18	-18	-12	-10	-40	-35	-30	-30	1500Vrms			
J0G-0009NL	8 core / C/T	10/100/1000BT	Vertical	-1.0	-18	-18	-12	-10	-40	-35	-30	-30	1500Vrms			

Notes: 1. LEDs Left/Right: **G** = green; **Y** = yellow; **Y-G** = Bicolor.
2. J0G-0003NL is supplied without EMI tabs; refer to mechanical drawing (page 5) for explanation of EMI tabs.

RJ45 Durability Testing Rating

Part Number	Mating Force (MAX)	Unmating Force (MAX)	Durability	Plug to Jack Retention (MIN)
J0G Series	5 lbs./2.268 kgs.	5 lbs./2.268 kgs.	750 Insertions	20 lbs./9.072 kgs.

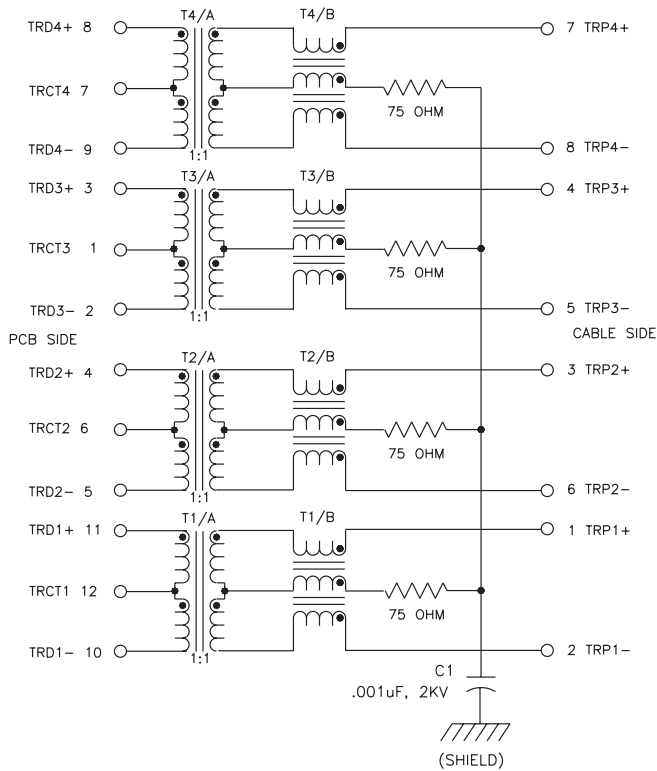
RJ45 Material Specification

Part Number	Shield		Contact			Housing		MSL ² Rating
	Material	Finish	Material	Plating Area	Solder Area	Material	Specification	
J0G Series	Brass	20-40µ inches thick nickel over brass	Phosphor Bronze	15µ inches gold over 30-80µ inches nickel	Tin matte finish	Thermoplastic	UL 94 V-0	1

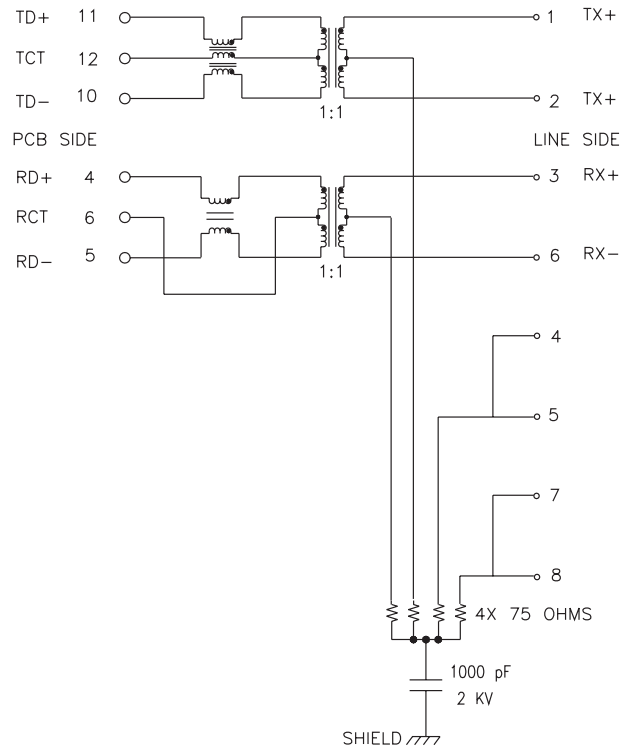
Notes: 1. Connector dimensions comply with FCC dimension requirements.
2. MSL - Moisture Sensitivity Level class limits = 1 to 5 (Highest: 1; Lowest: 5).

Schematics

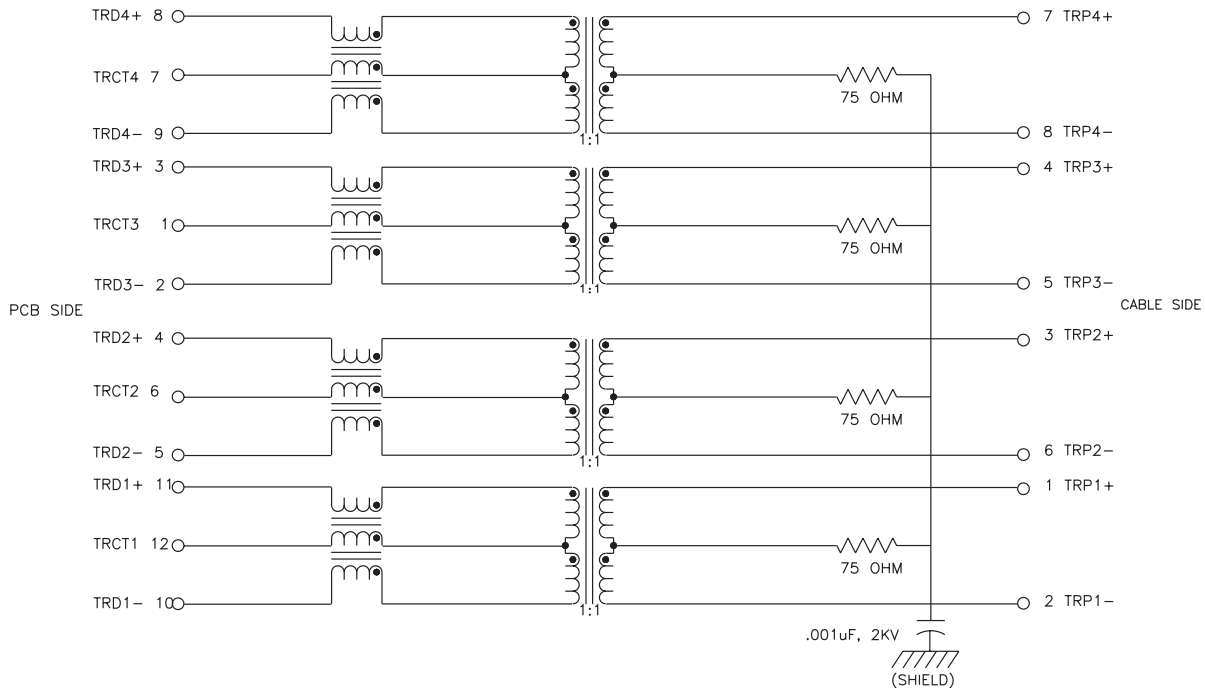
J0G-0001NL / J0G-0002NL / J0G-0003NL



J0G-0007NL

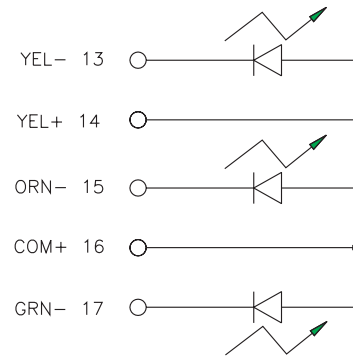
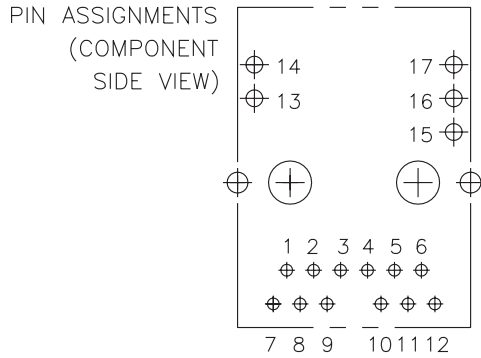


J0G-0009NL

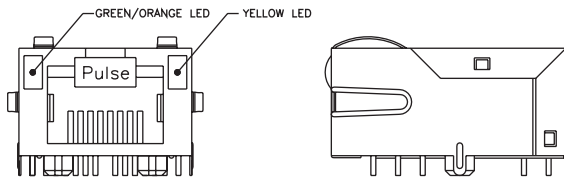
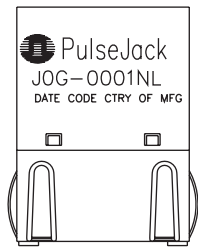


Pin Assignments

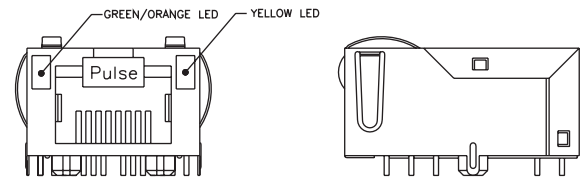
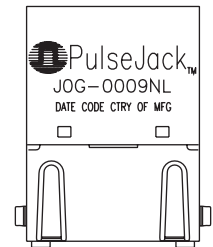
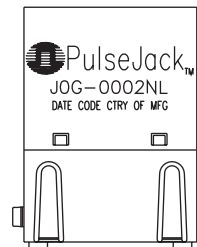
LED Configuration



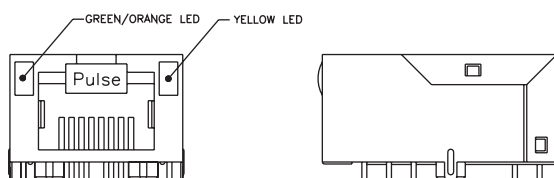
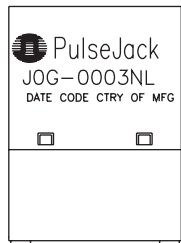
JOG-0001NL



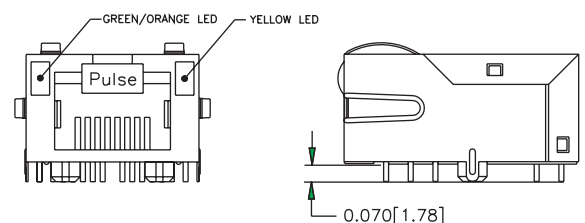
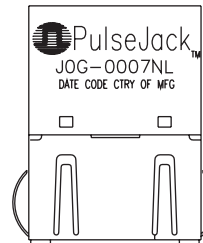
JOG-0002NL / JOG-0009NL



JOG-0003NL



JOG-0007NL

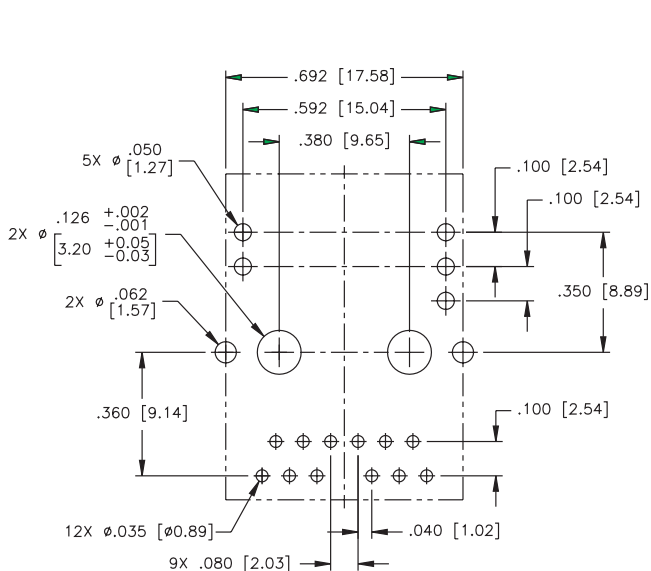
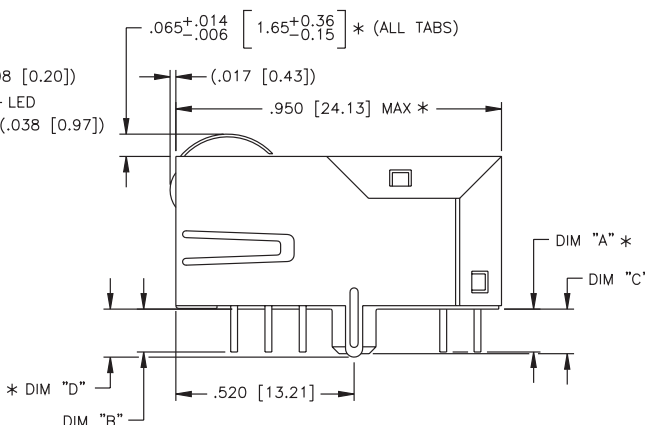
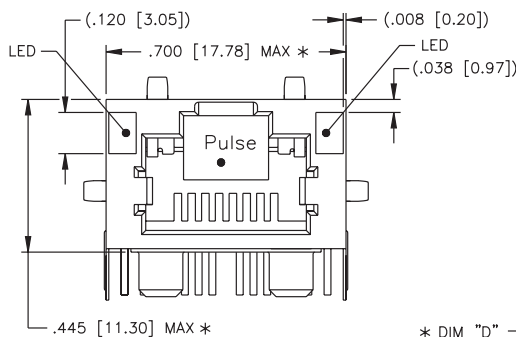
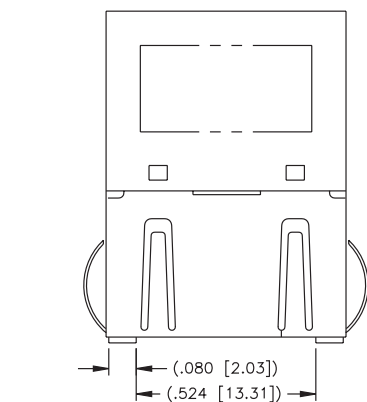


Mechanicals

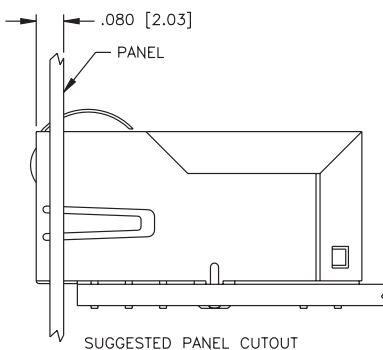
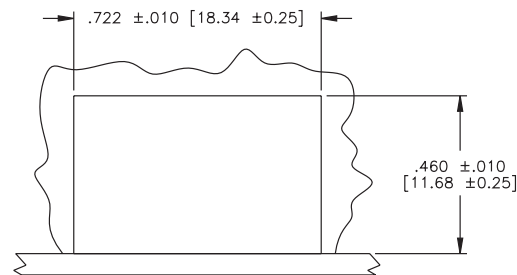
J0G-0001NL / 0002NL / 0003NL / 0007NL / 0009NL

Measurements (in./mm)

Part No.	Dim "A" (Signal Pins)	Dim "B" (LED Pins)	Dim "C" (Post)	Dim "D" (Shield Tab)	EMI Tab Config.
J0G-0001NL	.125/3,18	.125/3,18	.130/3,30	.140/3,56	Fig.1
J0G-0002NL/0009NL	.070/1,78	.070/1,78	.070/1,78	.070/1,78	Fig.2
J0G-0003NL	.125/3,18	.125/3,18	.130/3,30	.140/3,56	Fig.3
J0G-0007NL	.070/1,78	.070/1,78	.070/1,78	.070/1,78	Fig.1



SUGGESTED FOOTPRINT (COMPONENT SIDE SHOWN)
 DIMENSIONAL TOLERANCE: (UNLESS OTHERWISE SPECIFIED)
 .XXX ±.003 [X.XX ±0.08]



EMI Tabs Configuration

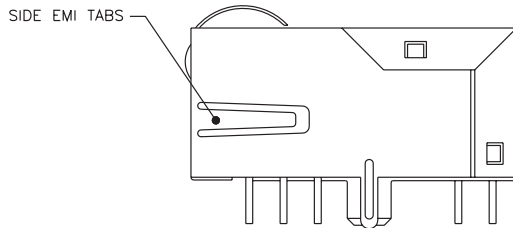


FIGURE 1 (HORIZONTAL SIDE EMI TABS)

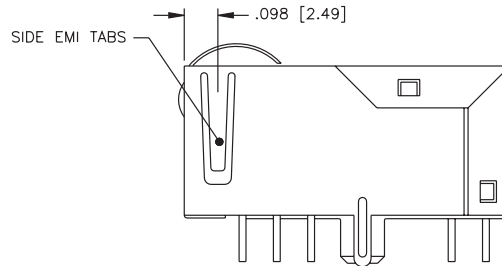


FIGURE 2 (VERTICAL SIDE EMI TABS)

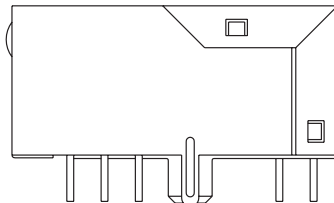


FIGURE 3 (NO EMI TABS)

For More Information:

Pulse Worldwide Headquarters	Pulse Europe	Pulse China Headquarters	Pulse North China	Pulse South Asia	Pulse North Asia
Two Pearl Buck Court Bristol, PA 19007 U.S.A.	Einsteinstrasse 1 D-71083 Herrenberg Germany	B402, Shenzhen Academy of Aerospace Technology Bldg. 10th Kejinan Rd. High-Tech Zone Nanshan District Shenzhen, PR China 518057	Room 2704/2705 Super Ocean Finance Ctr. 2067 Yan An Rd. West Shanghai 200336 China	135 Joo Seng Rd. #03-02 PM Industrial Bldg. Singapore 368363	No. 26, Kao Ching Rd. Yang Mei Chen Taoyuan Hsien Taiwan R. O. C.
www.pulseeng.com Tel: 215 781 6400 Fax: 215 781 6403	Tel: 49 7032 7806 0 Fax: 49 7032 7806 135	Tel: 86 755 33966678 Fax: 86 755 33966700	Tel: 86 21 62787060 Fax: 86 2162786973	Tel: 65 6287 8998 Fax: 65 6280 0080	Tel: 886 3 4643715 Fax: 886 3 4641911

Performance warranty of products offered on this data sheet is limited to the parameters specified. Data is subject to change without notice. Other brand and product names mentioned herein may be trademarks or registered trademarks of their respective owners. © Copyright, 2009. Pulse Engineering, Inc. All rights reserved.