

LS6D38 Series Surface Mount Power Inductors



Features

- Will Handle Up To 3.5A
- Economical Design
- Suitable For Pick And Place
- Withstands Solder Reflow
- Shielded Design

Packaging

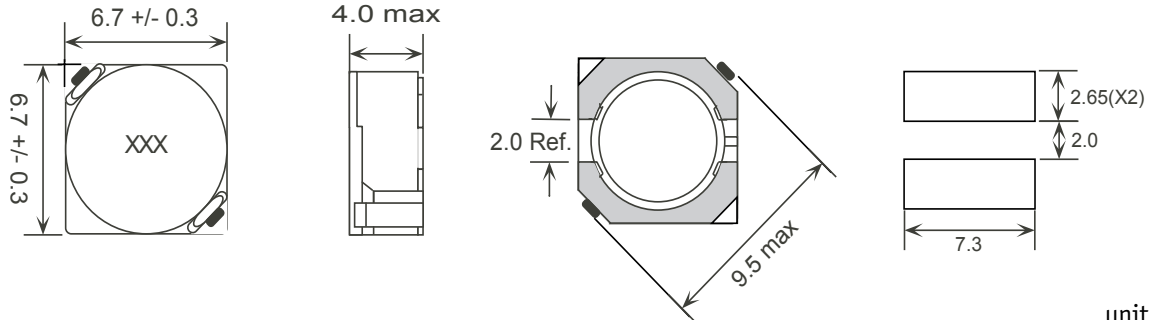
- Reel Diameter: 330mm
- Reel Width: 16.3mm
- Pieces Per Reel: 1000

Applications

- DC/DC Converters
- Output Power Chokes
- Handheld And PDA Applications
- Battery Powered Or Low Voltage Applications



Mechanical



unit= mm

Electrical Specifications

Part ⁶ Number	Inductance ¹ ($\mu\text{H} \pm 30\%$)	Test Frequency (kHz)	DCR max (Ω)	I_{DC} max ² (A)
LS6D38-3R3-RN	3.3	10	0.020	3.5
LS6D38-5R0-RN	5.0	10	0.024	2.9
LS6D38-6R2-RN	6.2	10	0.027	2.5
LS6D38-7R4-RN	7.4	10	0.031	2.3
LS6D38-8R7-RN	8.7	10	0.034	2.2
LS6D38-100-RN	10	10	0.038	2.0
LS6D38-120-RN	12	10	0.053	1.7
LS6D38-150-RN	15	10	0.057	1.6
LS6D38-180-RN	18	10	0.092	1.5
LS6D38-220-RN	22	10	0.096	1.3
LS6D38-270-RN	27	10	0.109	1.2
LS6D38-330-RN	33	10	0.124	1.1
LS6D38-390-RN	39	10	0.138	1.0
LS6D38-470-RN	47	10	0.155	.95
LS6D38-560-RN	56	10	0.202	.85
LS6D38-680-RN	68	10	0.234	.75
LS6D38-820-RN	82	10	0.324	.70
LS6D38-101-RN	100	10	0.358	.65
LS6D38-121-RN	120	10	0.47	.59
LS6D38-151-RN	150	10	0.58	.54
LS6D38-181-RN	180	10	0.69	.49
LS6D38-221-RN	220	10	0.89	.43
LS6D38-271-RN	270	10	1.29	.40
LS6D38-331-RN	330	10	1.70	.37
LS6D38-391-RN	390	10	1.75	.34
LS6D38-471-RN	470	10	2.20	.32
LS6D38-561-RN	560	10	2.85	.29
LS6D38-681-RN	680	10	3.20	.25
LS6D38-821-RN	820	10	4.05	.22
LS6D38-102-RN	1000	10	5.70	.20

1. Tested @ 10kHz, 0.1Vrms.
2. Inductance drop = 35% at rated I_{DC} max.
3. Electrical specifications at 25°C.
4. Operating temperature range:
-40°C to +85°C.
5. Meets UL 94V-0.
6. Optional Tolerances: 10%(K), 15%(L),
and 20%(M).