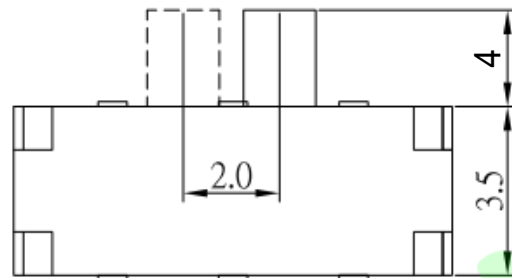
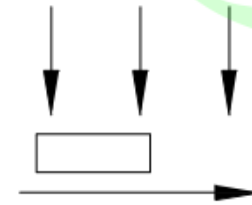
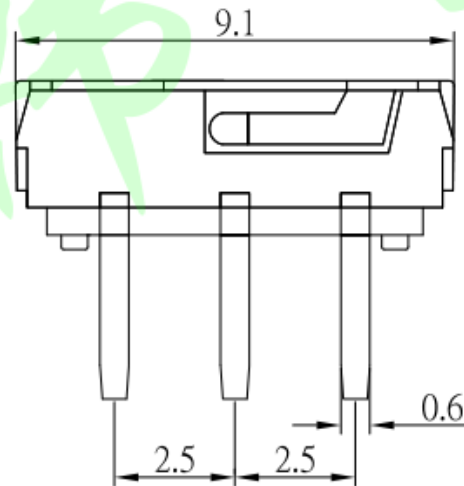
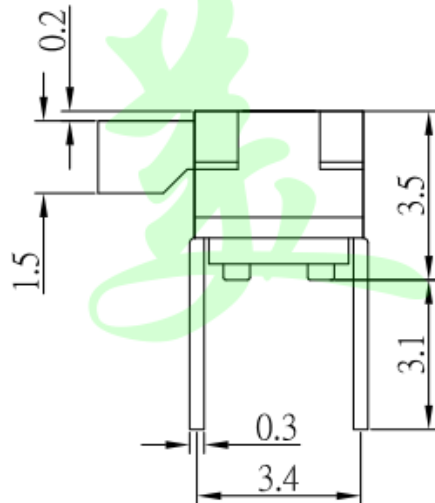


P.C.B LAND PATTERN



Rating	0.3A 6V DC
Insulation Resistance	50MΩ Min.
Dielectric Withstanding Voltage	AC 250 V(50Hz)1min
Contact Resistance	100mΩ Max.
Operating Force	200 ± 50gf
Operating Life	10,000 cycles

G
2.0 mm
3.0 mm
4.0 mm



CIRCUIT DIAGRAM

NO.	DESCRIPTION	QTY	MATERIAL	PLATING
E	TERMINAL	6	PHOSPHOR BRONZE	Ag plated
D	CLIP	2	Be-Cu	Ag plated
C	COVER	1	SUS	
B	CASE	1	PA46	Black
A	SLIDER	1	PA46	Black

>0.5~2	±0.05	±0.10	±0.15
>2~5	±0.15	±0.20	±0.25
>5~10	±0.25	±0.28	±0.30
角度 ANGLE	±0.5°		
未注尺寸公差(mm)			

第一视角	设计 Jack Jin	图面 单位	A4 MM
	审核 Jacky Zhong	比例 重量	
	批准 Tony Meng	页码 版次	1/1 A/0

东莞市美韩电子科技有限公司 Dongguan Usakro Electronic Technology Co., Ltd.			
1:1	DWG NO.	型号:UK-H0844-G4	SIZE A4
1 of 1	PART NO.	规格:9.1X3.5X3.5/柄高4.0/1P2T	VER R