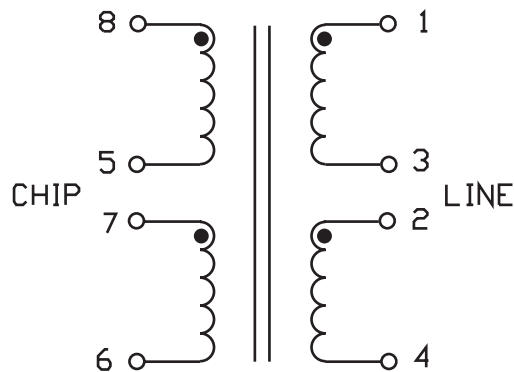


ADSL MAGNETICS

S560-6600-KV

ELECTRICAL CHARACTERISTICS (@25°C)

SCHEMATIC



NOMINAL TURNS RATIO:	
<1-4> : <8-6>	0.9 : 1
CONNECT TERMINALS 2 TO 3 & 5 TO 7	
DC RESISTANCE:	
<1-4>	1.0 Ω MAX
<8-6>	1.5 Ω MAX
CONNECT TERMINALS 2 TO 3 & 5 TO 7	
INDUCTANCE @ 10 kHz, 0.1 Vrms:	
<1-4>	1 mH ± 7%
CONNECT TERMINALS 2 TO 3	
LEAKAGE INDUCTANCE:	
<1-4>	3.5 μH MAX
CONNECT TERMINALS 2 TO 3 & 5 TO 7	
SHORT TERMINALS 5, 6, 7, & 8	
DIRECT CAPACITANCE:	
BETWEEN <1-4> & <8-6>	50 pF MAX
CONNECT TERMINALS 2 TO 3 & 5 TO 7	
PARALLEL CAPACITANCE AT 1MHz:	
<8-6>	40 pF MAX
CONNECT TERMINALS 5 TO 7	
MINIMUM DIELECTRIC RATING:	
BETWEEN <1-4> & <8-6>	1875 VAC
CONNECT TERMINALS 2 TO 3 & 5 TO 7	

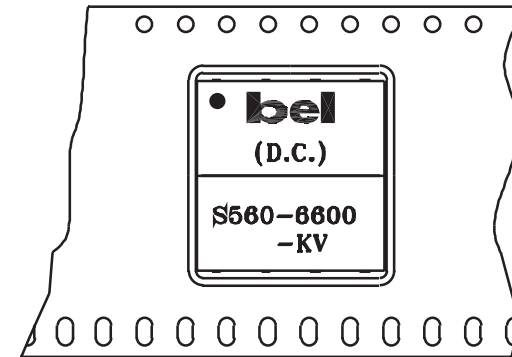
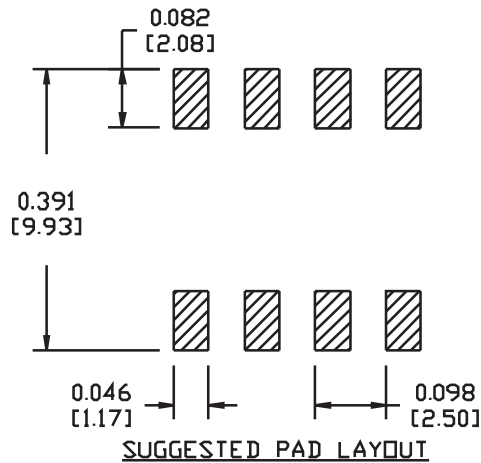
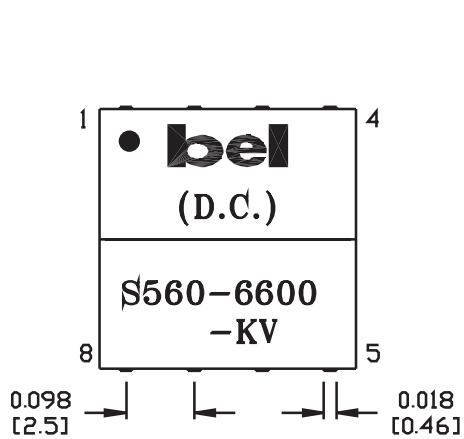
DESIGNED TO COMPLY WITH UL1950, EN60950 , CSA
FUNCTIONAL INSULATION WITH 250 VAC WORKING VOLTAGE.

DC UNBALANCE CURRENT:	2mA
INSERTION LOSS:	0.4 dB MAX
150kHz - 300kHz	
INSERTION LOSS:	0.8 dB MAX
1 MHz	
INSERTION LOSS:	1.0 dB MAX
4 MHz	
LONGITUDINAL BALANCE:	45 dB
20kHz - 4 MHz	
TOTAL HARMONIC DISTORTION	-80 dB MAX
5 VRMS, 25kHz, 100Ω LINE AND 123.5Ω LOAD.	
OPERATING TEMPERATURE RANGE:	-40°C TO +85°C



ADSL MAGNETICS

S560-6600-KV



➔ USER FEED DIRECTION

ORIENTATION OF COMPONENT INSIDE POCKET

TAPE WIDTH	24MM
POCKET PITCH	20MM
QUANTITY OF COMPONENTS PER REEL	200
PLASTIC REEL OUTER DIAMETER	13 INCHES
PLASTIC REEL HUB DIAMETER	4 INCHES

