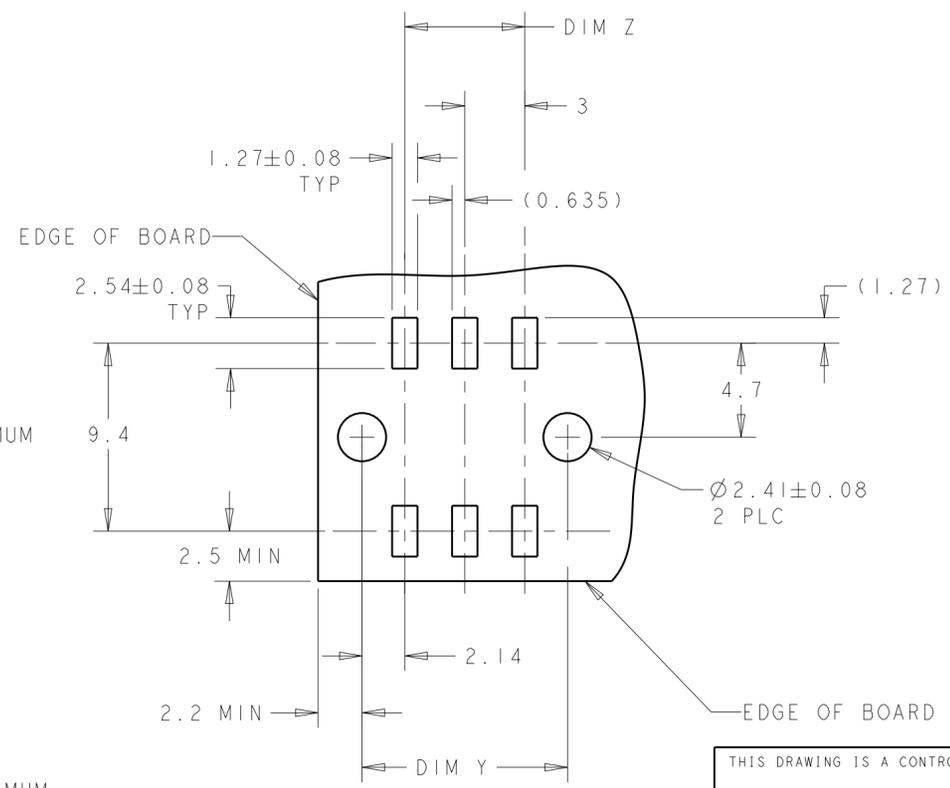
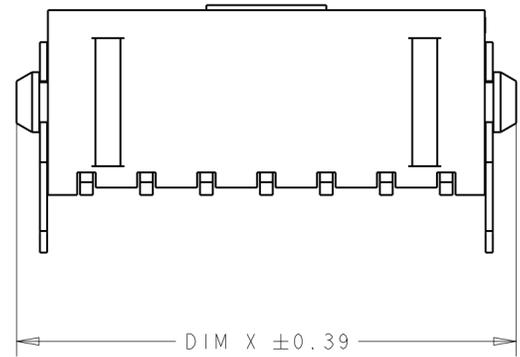
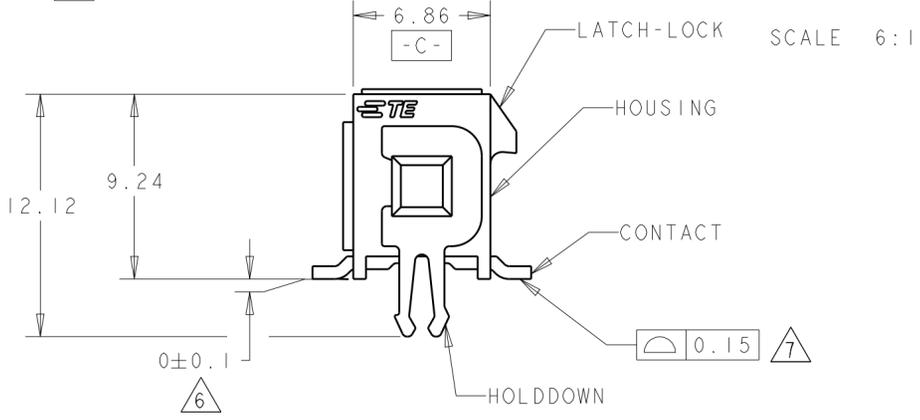
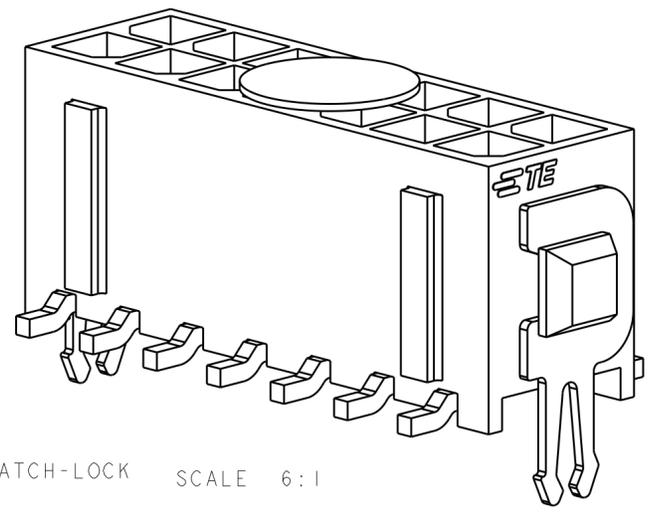
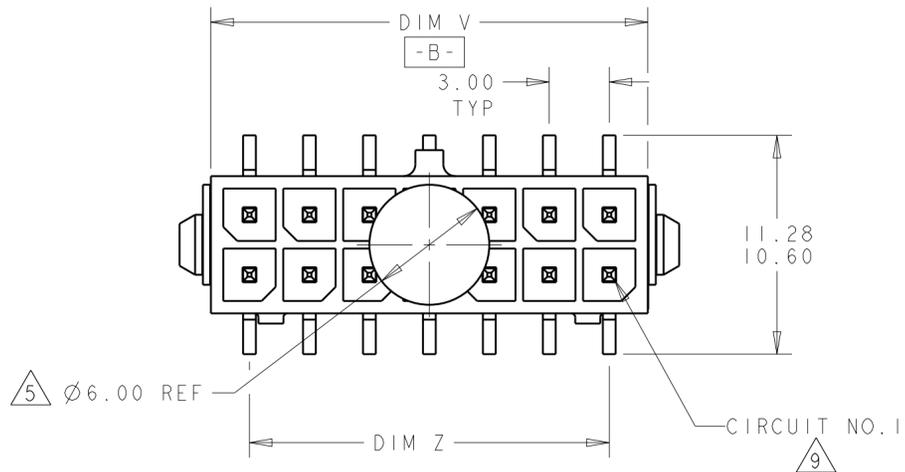


THIS DRAWING IS UNPUBLISHED. RELEASED FOR PUBLICATION 20
 © COPYRIGHT 20 BY - ALL RIGHTS RESERVED.

| LOC | DIST | REVISIONS | | | | | |
|-----|------|-----------|-----|---------------------------|------------|-----|------|
| CM | 00 | P | LTR | DESCRIPTION | DATE | DWN | APVD |
| | | J | | REVISED PER ECO-15-003291 | 27JULY2015 | SC | DZ |



| FINISH | DIM V | DIM Y | DIM Z | DIM X | NO. OF POSN. | PART NUMBER |
|--------|-------|-------|-------|-------|--------------|-------------|
| 8 | 36.86 | 37.30 | 33.00 | 40.00 | 24 | 5-794634-4 |
| 8 | 33.86 | 34.30 | 30.00 | 37.00 | 22 | 5-794634-2 |
| 8 | 30.86 | 31.30 | 27.00 | 34.00 | 20 | 5-794634-0 |
| 8 | 27.86 | 28.30 | 24.00 | 31.00 | 18 | 4-794634-8 |
| 8 | 24.86 | 25.30 | 21.00 | 28.00 | 16 | 4-794634-6 |
| 8 | 21.86 | 22.30 | 18.00 | 25.00 | 14 | 4-794634-4 |
| 8 | 18.86 | 19.30 | 15.00 | 22.00 | 12 | 4-794634-2 |
| 8 | 15.86 | 16.30 | 12.00 | 19.00 | 10 | 4-794634-0 |
| 8 | 12.86 | 13.30 | 9.00 | 16.00 | 8 | 3-794634-8 |
| 8 | 9.86 | 10.30 | 6.00 | 13.00 | 6 | 3-794634-6 |
| 8 | 6.86 | 7.30 | 3.00 | 10.00 | 4 | 3-794634-4 |
| 8 | 3.86 | 4.30 | - | 7.00 | 2 | 3-794634-2 |
| 2 | 36.86 | 37.30 | 33.00 | 40.00 | 24 | 2-794634-4 |
| 2 | 33.86 | 34.30 | 30.00 | 37.00 | 22 | 2-794634-2 |
| 2 | 30.86 | 31.30 | 27.00 | 34.00 | 20 | 2-794634-0 |
| 2 | 27.86 | 28.30 | 24.00 | 31.00 | 18 | 1-794634-8 |
| 2 | 24.86 | 25.30 | 21.00 | 28.00 | 16 | 1-794634-6 |
| 2 | 21.86 | 22.30 | 18.00 | 25.00 | 14 | 1-794634-4 |
| 2 | 18.86 | 19.30 | 15.00 | 22.00 | 12 | 1-794634-2 |
| 2 | 15.86 | 16.30 | 12.00 | 19.00 | 10 | 1-794634-0 |
| 2 | 12.86 | 13.30 | 9.00 | 16.00 | 8 | 794634-8 |
| 2 | 9.86 | 10.30 | 6.00 | 13.00 | 6 | 794634-6 |
| 2 | 6.86 | 7.30 | 3.00 | 10.00 | 4 | 794634-4 |
| 2 | 3.86 | 4.30 | - | 7.00 | 2 | 794634-2 |

- 1 MATERIAL:
CONTACTS - BRASS.
HOUSING - UL 94V-0 RATED HIGH TEMP NYLON, COLOR; BLACK.
HOLDDOWNS - PHOSPHOR BRONZE.
- 2 PLATING:
CONTACTS - 0.38µm MINIMUM GOLD OVER 2.54µm MINIMUM NICKEL ON MATING AREA. 2.54µm TIN-LEAD MINIMUM OVER 2.54µm MINIMUM ON SOLDER TAILS.
HOLDDOWNS - 2.54µm TIN-LEAD.
- 4 RECOMMENDED PCB BOARD THICKNESS OF 1.57.
- 5 KAPTON VACUUM PICK UP BUTTON.
- 6 DIMENSION APPLIES TO SOLDER TAIL SURFACES AND STANDOFF SURFACES.
- 7 ALL SOLDER TAILS.
- 8 PLATING:
CONTACTS - 0.38µm MINIMUM GOLD OVER 2.54µm MINIMUM NICKEL ON MATING AREA. 2.54µm MATTE TIN MINIMUM OVER 2.54µm MINIMUM ON SOLDER TAILS.
HOLDDOWNS - 2.54µm MATTE TIN.
- 9 CIRCUIT NUMBER 1 IS LOCATED AT THE BOTTOM RIGHT WITH THE LATCH-LOCK ON TOP LOOKING INTO THE CAVITIES

RECOMMENDED PCB LAYOUT (COMPONENT SIDE)

THIS DRAWING IS A CONTROLLED DOCUMENT.

| | | | |
|----------------|--|--|---|
| DIMENSIONS: mm | TOLERANCES UNLESS OTHERWISE SPECIFIED: | DWN K. WHITAKER 19MAR2003 | TE Connectivity |
| | | CHK C. JONES 19MAR2003 | |
| | | APVD C. JONES 19MAR2003 | |
| | | NAME SURFACE MOUNT, VERTICAL, MECHANICAL HOLDDOWN, ASSEMBLY, 15 GOLD HEADER, DUAL ROW, MICRO MATE-N-LOK™ | |
| MATERIAL | SEE TABLE | PRODUCT SPEC | SIZE CAGE CODE DRAWING NO RESTRICTED TO |
| | | APPLICATION SPEC | A200779C-794634 |
| | | WEIGHT | SCALE 4:1 SHEET 1 OF 1 REV J |
| | | CUSTOMER DRAWING | |