



**Model number**

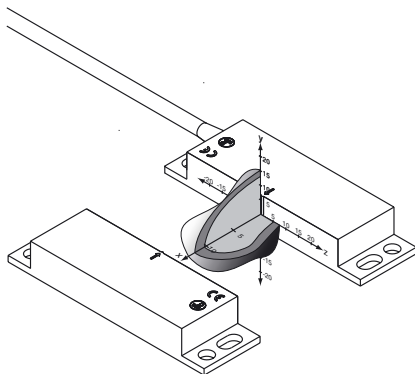
**VAZ-IER1-ACTUATOR1-S**

Actuator for non-contact AS-Interface Reed safety switch

**Features**

- Magnetically-coded actuator
- Compact plastic housing
- Especially suited to small doors and coverings

**Operating distance**



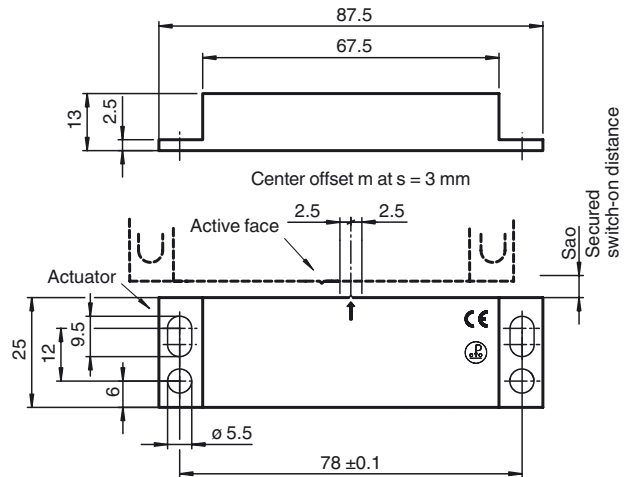
**Matching system components**

**VAA-2E1A-IER1-S-1M-V1**

Reed safety switch for non-contact AS-Interface safety switches

Release date: 2018-01-29 14:33 Date of issue: 2018-01-29 21:0532\_eng.xml

**Dimensions**



**Technical data**

**General specifications**

Detection type	magentic
Center offset	m ± 2.5 mm at distance s = 3 mm
UL File Number	E155795

**Directive conformity**

<b>Electromagnetic compatibility</b>	
Directive 2014/30/EU	EN 62026-2:2013 IEC 60947-5-3:1999
<b>Machinery Directive</b>	
Directive 2006/42/EC	EN ISO 12100-1, -2:2003 EN 1088:1995+A2:2008

**Standard conformity**

Degree of protection	EN 60529:2000
AS-Interface	EN 62026-2:2013
Functional safety	ISO 13849-1:2008 (up to category 3/PL e) EN ISO 12100-1, -2:2003 EN 1088:1995+A2:2008

**Ambient conditions**

Ambient temperature	-20 ... 60 °C (-4 ... 140 °F)
---------------------	-------------------------------

**Mechanical specifications**

Degree of protection	IP67
Material	
Housing	PPS
Installation	Active surface facing Read head
Mass	20 g

**General information**

Scope of delivery	1 actuator; 2 safety screws, M4 x 14
-------------------	--------------------------------------