



PRELIMINARY

SSR1645-28

SOLID STATE DEVICES, INC

14849 Firestone Boulevard · La Mirada, CA 90638
Phone: (714) 670-SSDI (7734) · Fax: (714) 522-7424

Designer's Data Sheet

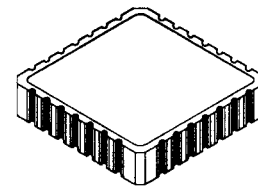
FEATURES:

- Low Reverse Leakage
- Low Forward Voltage Drop
- Hermetically Sealed Surface Mount Package
- Guard Ring for Overvoltage protection
- Eutectic Die Attach
- 175°C Operating Temperature

- TX, TXV and Space Level Screening Available

**15 AMP
45 VOLTS
SCHOTTKY
RECTIFIER**

28 PIN CLCC



MAXIMUM RATINGS

RATING	SYMBOL	VALUE	UNIT
Peak Repetitive Reverse and DC Blocking Voltage	VRRM	45	Volts
	VRWM		
	VR		
Average Rectified Forward Current (Resistive Load, 60Hz, Sine Wave, TA=25°C)	IO	15	Amps
Peak Surge Current (8.3 ms Pulse, Half Sine Wave Superimposed on IO, allow junction to reach equilibrium between pulses, TA=25°C)	IFSM	80*	Amps
Operating and storage temperature	Top & Tstg	-65 to +175	°C
Maximum Thermal Resistance Junction to Case	RθJC	4.0	°C/W

* Connect all cathode and anode pins.

NOTE: All specifications are subject to change without notification. SCD's for these devices should be reviewed by SSDI prior to release.

DATA SHEET #: RS0001 A

MED

SSR1645-28

PRELIMINARY



SOLID STATE DEVICES, INC

14849 Firestone Boulevard · La Mirada, CA 90638
 Phone: (714) 670-SSDI (7734) · Fax: (714) 522-7424

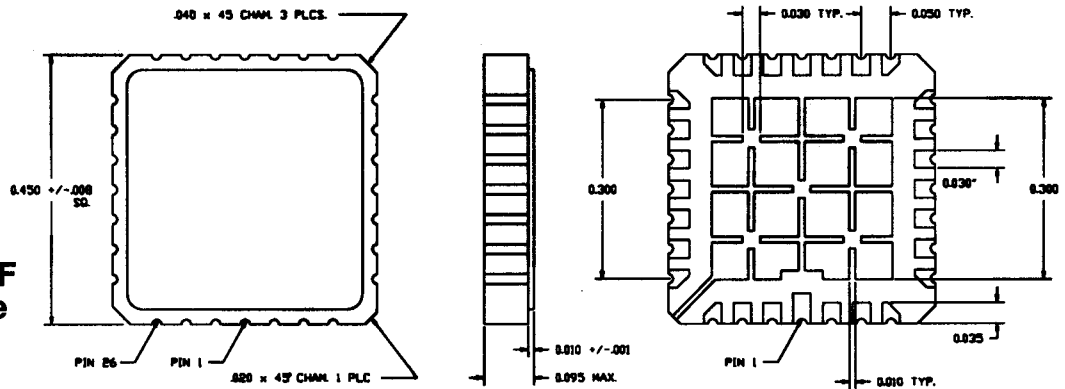
ELECTRICAL CHARACTERISTICS

CHARACTERISTICS	SYMBOL	MAXIMUM	UNIT
Instantaneous Forward Voltage Drop (IF = 3 Adc, TA=25°C, 300µs Pulse) (IF = 5 Adc, TA=25°C, 300µs Pulse) (IF = 15 Adc, TA=25°C, 300µs Pulse)	VF1	0.48 0.55 0.82	Vdc
Instantaneous Forward Voltage Drop (IF = 5 Adc, TA= - 55°C, 300µs Pulse)	VF2	0.64	Vdc
Reverse Leakage Current (Rated VR, TA=25°C, 300µs pulse minimum)	IR1	200	µA
Reverse Leakage Current (Rated VR, TA=100°C, 300µs pulse minimum)	IR2	15	mA
Junction Capacitance (VR = 10 Vdc, TA=25°C, f= 1 MHz)	CJ	800	pf

CASE OUTLINE: 28 PIN CLCC

PIN 5-11: CATHODE
PIN 1, 15-28: ANODE
PIN 2,3,13,14: N/C

NOTE:
 Connect all cathode/
 anode pins for best VF
 values and best surge
 capability.



TYPICAL OPERATING CURVES

(TA=25°C unless otherwise specified)

