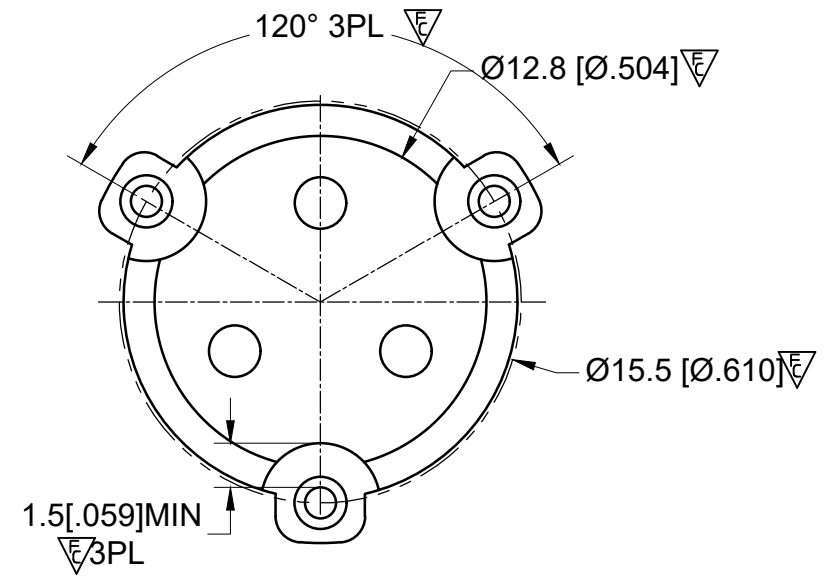
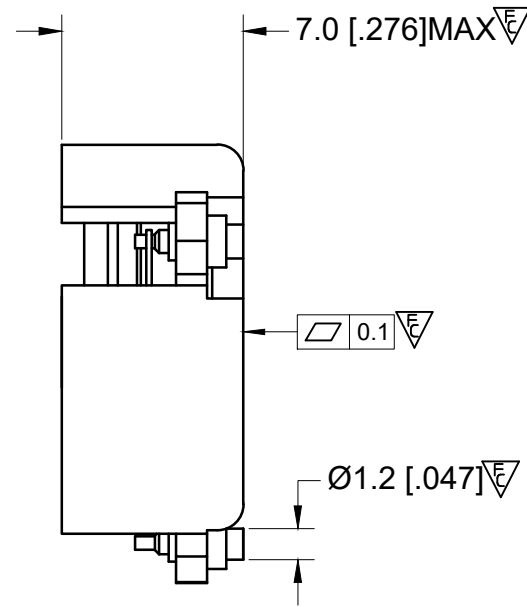
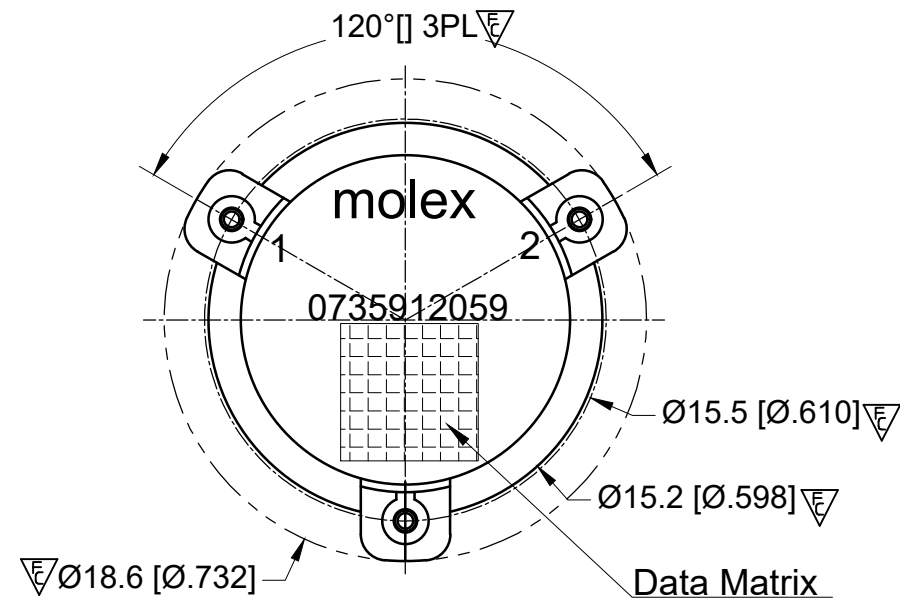
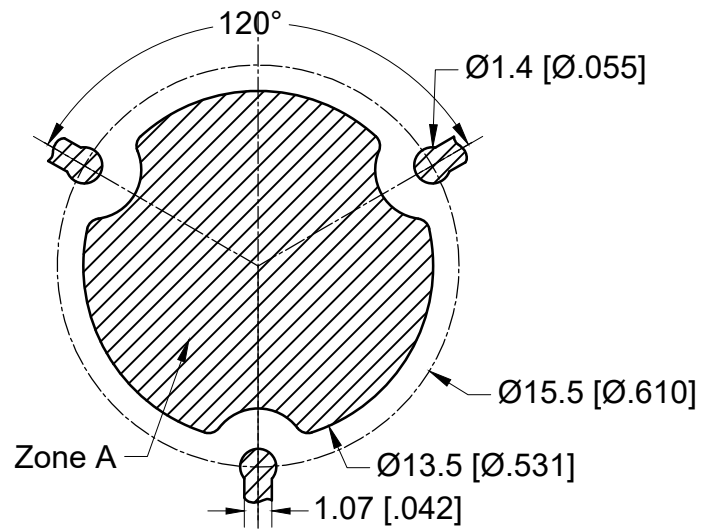
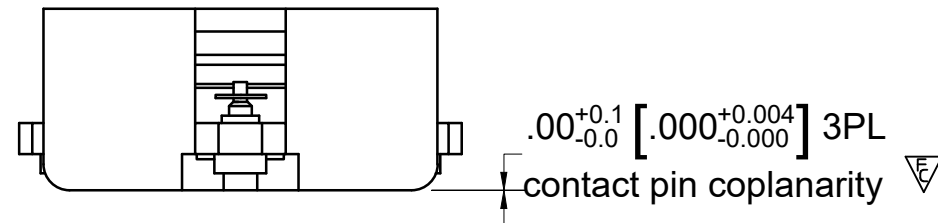


RECOMMENDED LAND PATTERN :

Zone A must be attached to heat sink. Thermal conductivity of intermediate layers between Zone A and heat sink must be better than 0.1 W / [°C x mm].



PCB Material :Rogers RO4350B,0.508mm thickness
trace width 1.07mm wide.



ELECTRICAL SPECIFICATIONS :

- Frequency Range : 2496~2690MHz
- Isolation : 22 dB min
- Return Loss : 22 dB min
- Insertion Loss : 0.25 dB max
- Attenuation (2 x TX) : 20 dB min
- (3 x TX) : 7 dB min
- (N x TX) : 5 dB min
- Average FE/REV Power :100 W(CW) max
- Peak Power : 1000 W max
- IM3(30W x 2 tones 5M) : -69 dBc max
- Harmonics (2 x TX @ 60W CW) : 60 dBc min
- (3 x TX @ 60W CW) : 60 dBc min
- Operating temperature range : -40 to +105°C
- Storage temperature range : -40 to +125°C
- Direction : CW

MATERIAL :

BODY : STEEL, SILVER PLATED
PIN : COPPER , SILVER PLATED

NOTES :

- 1.STANDARD INPUT/OUTPUT IMPEDANCE 50 Ohm
- 2.LEAD FREE, NO Nd MATERIAL, BeO FREE
- 3.THE DIMENSION OF DATA MATRIX IS 5.3X5.3MM INFORMATION INCLUDING WORK ORDER NUMBER-SERIAL NUMBER-MATERIAL NUMBER
- 4.THIS PART COMPLIES WITH ALL RoHS REQUIREMENTS

ENG PART#: 802-249-269-WP040

| | | | | | |
|--------------------|---|------------------------|-------------------|---------------------------|-------------------------------------|
| FUNCTIONAL SYMBOLS | THIS DRAWING CONTAINS INFORMATION THAT IS PROPRIETARY TO MOLEX ELECTRONIC TECHNOLOGIES, LLC AND SHOULD NOT BE USED WITHOUT WRITTEN PERMISSION | | CURRENT REV DESC: | | molex |
| | DIMENSION UNITS | SCALE | --- | | |
| ▽FA=0 | MM | 1:1 | | | SMSJ CIRCULATOR/2496~2690MHZ/CW |
| ▽E=0 | GENERAL TOLERANCES (UNLESS SPECIFIED) | | | | |
| ▽EP=0 | | mm | INCH | | RESTRICTED PRODUCT CUSTOMER DRAWING |
| DIVISIONAL SYMBOLS | 4 PLACES | ±0.025 | ±---- | EC NO: 696580 | |
| | 3 PLACES | ±0.05 | ±---- | DRWN: SREN05 2022/02/21 | |
| | 2 PLACES | ±0.13 | ±---- | CHK'D: JLI252 2022/02/23 | |
| | 1 PLACE | ±0.25 | ±---- | APPR: HWANG186 2022/03/01 | |
| | 0 PLACES | ±0.4 | ±---- | INITIAL REVISION: | DOCUMENT NUMBER |
| | ANGULAR TOL ± 1.5 ° | | | DRWN: SREN05 2021/11/12 | 735912059 |
| | DRAFT WHERE APPLICABLE MUST REMAIN WITHIN DIMENSIONS | | | APPR: HWANG186 2022/03/01 | PSD 000 |
| | | THIRD ANGLE PROJECTION | DRAWING | SERIES | MATERIAL NUMBER |
| | | | A3-SIZE | 73591 | 0735912059 |
| | | | | CUSTOMER | CUSTOM PART |
| | | | | | SHEET NUMBER |
| | | | | | 1 OF 1 |