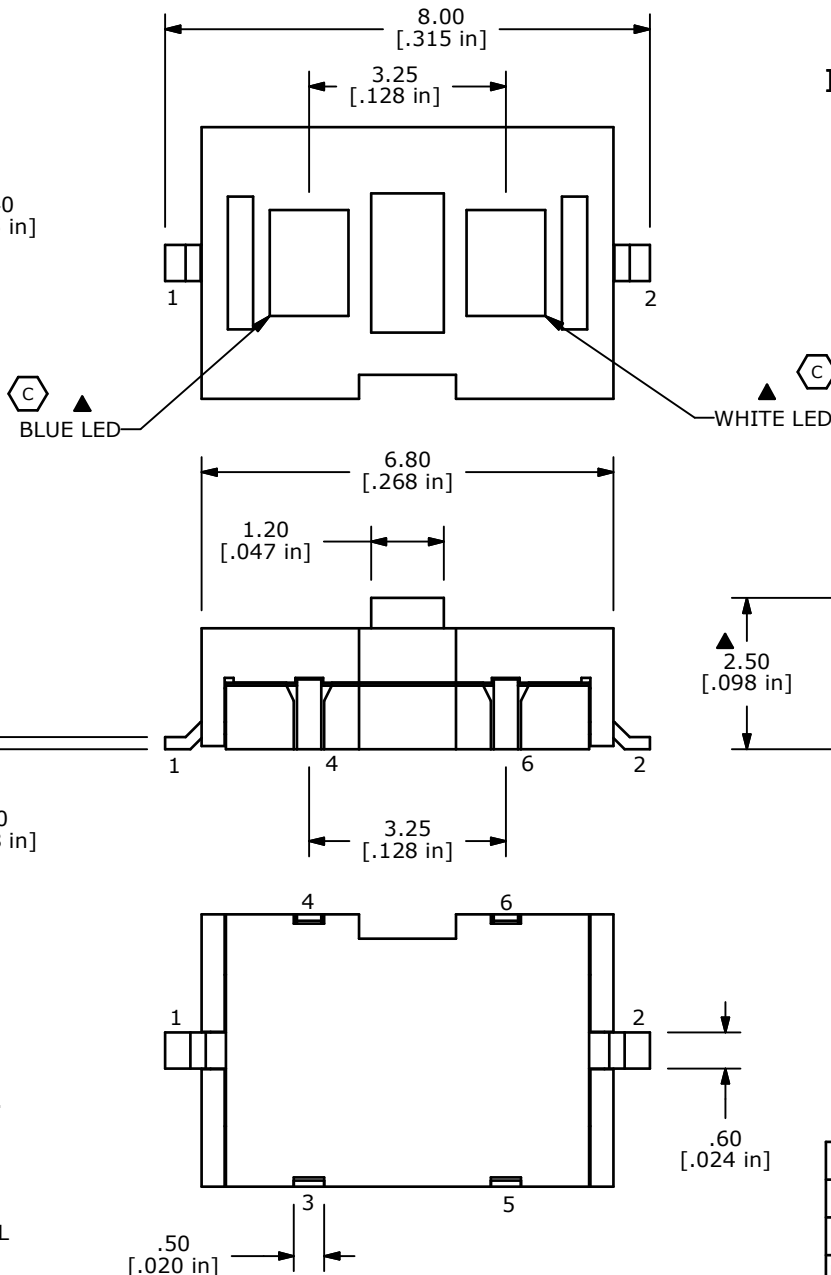
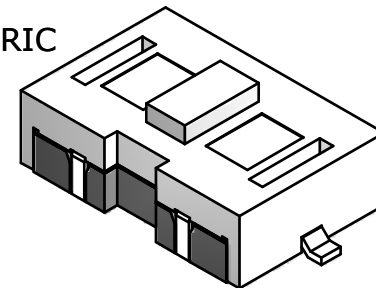


- NOTES:
1. ALL DIMENSIONS IN MM [INCH]
 2. GENERAL TOLERANCE: X.X=± 0.4
X.XX=± 0.25
 3. RATING: 12VDC, 50mA MAX.
 4. CONTACT RESISTANCE: 500mΩ MAX.
 5. INSULATION RESISTANCE: 100VDC, 100MΩ MIN.
 6. TRAVEL: 0.25 mm
 - ▲ 7. OPERATING FORCE: 160 +75/-30gf
 8. OPERATING TEMPERATURE: -20°C TO 70°C
 9. OPERATING LIFE: 30,000 CYCLES.
 10. PACKAGING: TAPE & REEL, 3000 PIECES PER REEL
 11. ▲ DENOTES CRITICAL PARAMETER
 12. 2002/95/EC (ROHS) COMPLIANT



ISOMETRIC



LED Specifications	Units	BLUE	WHITE
Forward Current	mA	15	30
Forward Voltage	V	3.5-3.8	3.5-4.0
Luminous Intensity@20mA	mcd	45	180



C	18119	CORRECT BLUE / WHITE LED POSITIONS	6/2/08	BLR
B	18117	CORRECT DRAWING VIEWS (MODELS)	5/29/08	BLR
REV	PCR NO	DESCRIPTION	DATE	BY

TITLE TL3200AF160BWQ				
SCALE	DATE	DR	DWG	REV
8:1	6/2/2008	BLR	B200106	C

THE INFORMATION CONTAINED IN THIS DOCUMENT IS PROPRIETARY TO E-SWITCH AND IS NOT TO BE COPIED OR TRANSFERRED