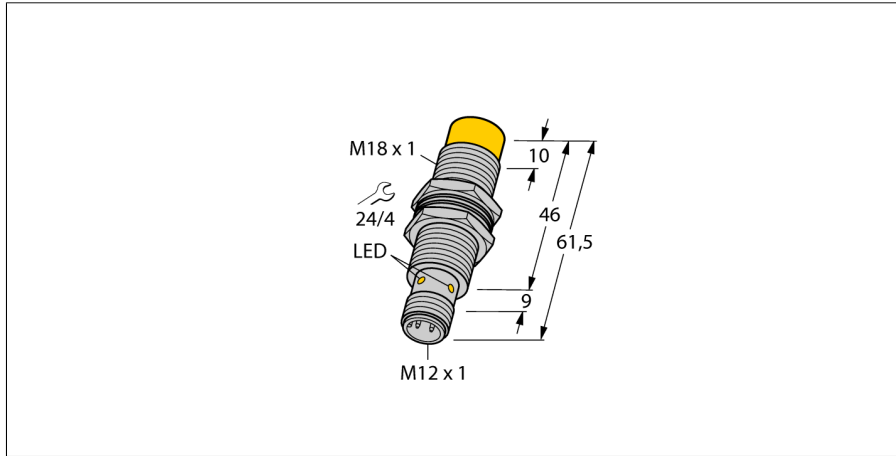
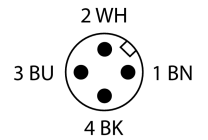
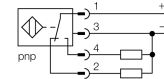


Inductive sensor
NI12U-M18M-VP4X-H1141



- Threaded barrel, M18 x 1
- Chrome-plated brass
- Factor 1 for all metals
- Protection class IP68
- Resistant to magnetic fields
- Extended temperature range
- High switching frequency
- DC 4-wire, 10...65 VDC
- Changeover contact, PNP output
- M12 x 1 male connector

Wiring Diagram



Functional principle

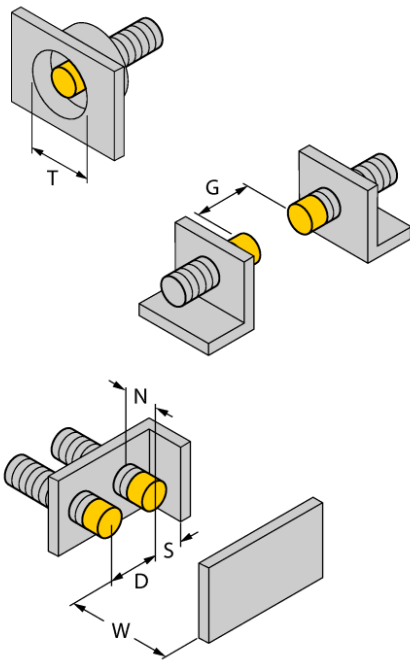
Inductive sensors detect metal objects contactless and wear-free. *uprox®* Factor 1 sensors have significant advantages due to their patented ferrite-coreless multicoil system. They detect all metals at the same large switching distance and are resistant to magnetic fields.

| | |
|---|---|
| Type designation | NI12U-M18M-VP4X-H1141 |
| Ident-No. | 1581458 |
| Rated switching distance Sn | 12 mm |
| Mounting conditions | Non-flush |
| Secured operating distance | ≤ (0,81 x Sn) mm |
| Repeat accuracy | ≤ 2 % of full scale |
| Temperature drift | ≤ ± 10 % |
| Hysteresis | ≤ ± 15 %, ≤ -25 °C v ≥ +70 °C |
| Ambient temperature | 3...15 % -30...+85 °C |
| Operating voltage | 10...65 VDC |
| Residual ripple | ≤ 10 % U _{ss} |
| DC rated operational current | ≤ 200 mA |
| No-load current I ₀ | ≤ 15 mA |
| Residual current | ≤ 0.1 mA |
| Isolation test voltage | ≤ 0.5 kV |
| Short-circuit protection | yes |
| Voltage drop at I ₀ | ≤ 1.8 V |
| Wire breakage/Reverse polarity protection | yes/ Complete |
| Output function | 4-wire, Complementary contact, PNP |
| Protection class | ☐ |
| Switching frequency | 1.5 kHz |
| Design | Threaded barrel, M18 x 1 |
| Dimensions | 61.5 mm |
| Housing material | Metal, CuZn, Chrome-plated |
| Active area material | Plastic, PBT |
| Max. tightening torque housing nut | 25 Nm |
| Electrical connection | Connector, M12 x 1 |
| Vibration resistance | 55 Hz (1 mm) |
| Shock resistance | 30 g (11 ms) |
| Protection class | IP67 |
| MTTF | 874 years acc. to SN 29500 (Ed. 99) 40 °C |
| Packaging unit | 1 |
| Switching state | LED, Yellow |

Inductive sensor
NI12U-M18M-VP4X-H1141

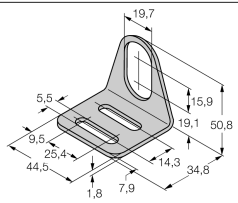
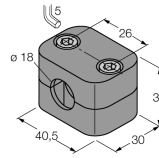
| | |
|------------|---------|
| Distance D | 3 x B |
| Distance W | 3 x Sn |
| Distance T | 65 mm |
| Distance S | 1.5 x B |
| Distance G | 6 x Sn |
| Distance N | 2 x Sn |

| | |
|------------------------|---------|
| Diameter active area B | Ø 18 mm |
|------------------------|---------|



**Inductive sensor
NI12U-M18M-VP4X-H1141**

Accessories

| Type code | Ident-No. | Description | |
|-----------|-----------|--|---|
| MW-18 | 6945004 | Mounting bracket for threaded barrel devices; material: Stainless steel A2 1.4301 (AISI 304) |  |
| BSS-18 | 6901320 | Mounting bracket for smooth and threaded barrel devices; material: Polypropylene |  |