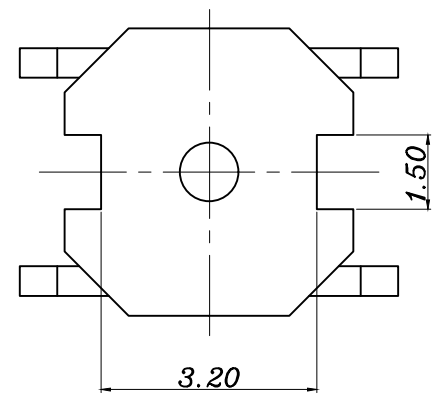
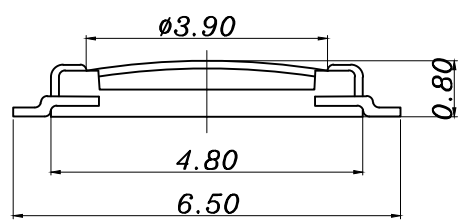


A B C D E



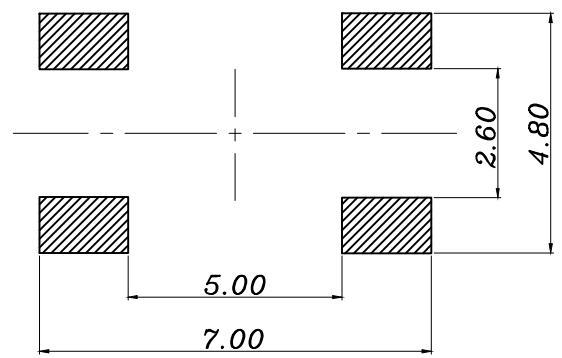
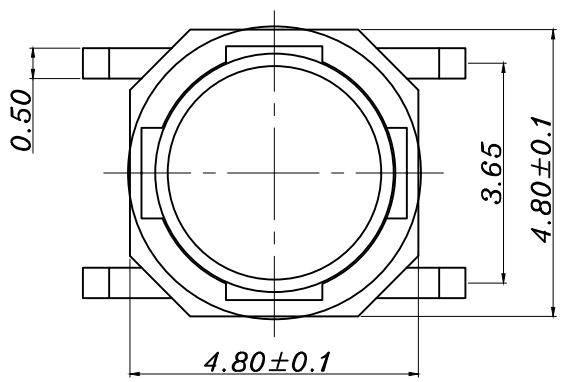
**GT-TC067A-H0080-L1**

**G-SWITCH**

**Operating Force**  
 A=160gf  
 B=250gf  
 C=100gf

**Switch Height (mm)**  
 H0080=0.8mm

**Switch lifetime (Force)**  
 L1=100,000 Cycles  
 L3=300,000 Cycles

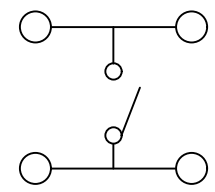


P.C.B LAND  
 DIMENSION

**G-Switch Specification:**

Operating temperature range: -30°C to +85°C  
 Rating: 50mA.12V DC  
 Insulation resistance: 100MΩ min.100V DC  
 Dielectric strength: 250V AC for 1 min  
 Contact resistance: 100m Ω max.  
 Travel: 0.20±0.05mm

**Circuit Diagram**



**G-Switch Electronic (HongKong) CO.,Ltd.**

Unless otherwise specified, Tolerance:  
 X. ±0.30  
 X.x ±0.20  
 X.xx ±0.15  
 X.xxx ±0.10  
 Angles ±3°

DESIGN Yvette Chen	DATE 2019.05.29	Molde code:		
CHECKED	DATE	GT-TC067A-H0080-L1		
APPROVED	DATE	REV.: X1	SCALE: 4:1	UNIT: mm
<a href="http://www.dg-switch.com">http://www.dg-switch.com</a>		SIZE: A4	SHEET: 1/1	
TEL:0769-82388879				

A B C D E