

PLEASE CHECK WWW.MOLEX.COM FOR LATEST PART INFORMATION

Part Number: **0676431990**
Status: **Active**
Description: Universal Serial Bus (USB) Shielded I/O Receptacle, Right Angle, Type A, White Polyester, Gold (Au) Flash, PCB Thickness 1.60mm (.063"), with Upper Flange, Lead Free

Documents:

[3D Model](#) [Product Specification PS-67643-003 \(PDF\)](#)
[Drawing \(PDF\)](#) [RoHS Certificate of Compliance \(PDF\)](#)

General

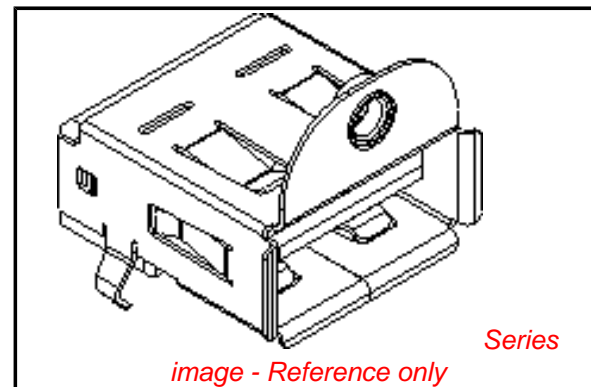
Product Family	I/O Connectors
Series	67643
Application	Wire-to-Board
Comments	With Upper Flange Not for IR Reflow Process
Component Type	Receptacle
Product Name	USB
Type	A

Physical

Boot Color	N/A
Circuits (Loaded)	4
Circuits (maximum)	4
Gender	Receptacle
Keying to Mating Part	Yes
Lock to Mating Part	Yes
Material - Plating Mating	Gold
Material - Plating Termination	Tin
Number of Rows	1
Orientation	Right Angle
PC Tail Length (in)	0.102 In
PC Tail Length (mm)	2.60 mm
PCB Locator	Yes
PCB Retention	Yes
PCB Thickness Recommended (in)	0.062 In
PCB Thickness Recommended (mm)	1.60 mm
Packaging Type	Tray
Panel Mount	Yes
Pitch - Mating Interface (in)	0.079 In, 0.098 In
Pitch - Mating Interface (mm)	2.00 mm, 2.50 mm
Pitch - Term. Interface (in)	0.079 In, 0.098 In
Pitch - Term. Interface (mm)	2.00 mm, 2.50 mm
Polarized to Mating Part	Yes
Polarized to PCB	Yes
Ports	1
Surface Mount Compatible (SMC)	No
Temperature Range - Operating	0°C to +50°C
Termination Interface: Style	Through Hole
Waterproof / Dustproof	No

Electrical

Current - Maximum per Contact	1.5A
Shield Type	Full Shield
Shielded	Yes
Voltage - Maximum	30V DC



EU RoHS

**ELV and RoHS
Compliant**
REACH SVHC
 Not Reviewed
**Halogen-Free
Status**
 Not Reviewed

China RoHS



**Need more information on product
environmental compliance?**

Email productcompliance@molex.com
 For a multiple part number RoHS Certificate of Compliance, [click here](#)

Please visit the [Contact Us](#) section for any non-product compliance questions.

Search Parts in this Series

67643Series

Mates With

USB Type A Plug

Solder Process Data

Lead-free Process Capability
Process Temperature max. C

Wave Capable (TH only)
260

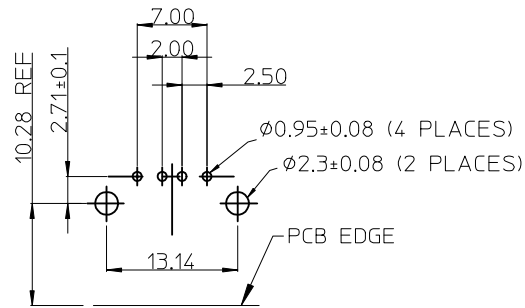
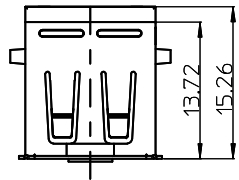
Material Info**Reference - Drawing Numbers**

Product Specification
Sales Drawing

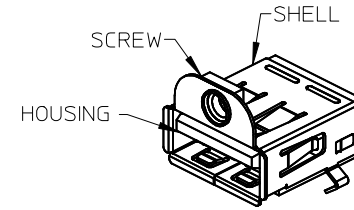
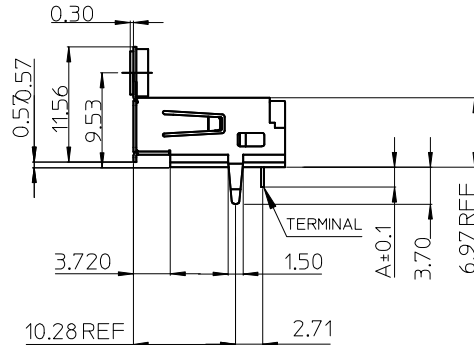
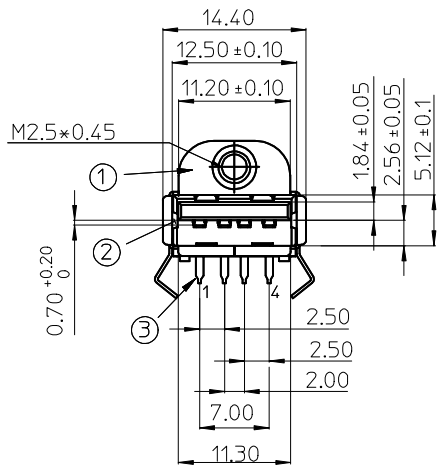
PS-67643-003
SD-67643-004

This document was generated on 04/01/2010

PLEASE CHECK WWW.MOLEX.COM FOR LATEST PART INFORMATION



PCB LAYOUT (BOTTOM VIEW)



NOTES:

1. MATERIAL:
 - ① METAL SHELL: COPPER ALLOY. SCREW: BRASS
 - ② HOUSING: SEE CHART, 30% GLASS FIBER FILLES, UL94-V0.
 - ③ TERMINAL: PHOSPHOR BRONZE
2. PLATING:
 - TERMINAL:
 - CONTACT AREA: (a) GOLD FLASH.
 - (b) GOLD (Au), THICKNESS=30 MICROINCH MINIMUM.
 - SOLDER TAIL: TIN PLATED, THICKNESS=75 MICROINCH MINIMUM.
 - UNDER PLATED: NICKEL (Ni), THICKNESS=50 MICROINCH MINIMUM.
 - METAL SHELL: SEE CHART.
3. RECOMMENDED PCB THICKNESS: SEE CHART
4. PRODUCT SPECIFICATION: FOR IR REFER TO PS-67643-002
FOR NON IR REFER TO PS-67643-003
5. TORQUE FORCE SPEC: 2.50kg-cm Min, MEASURED AT BROKEN POINT.
6. TEST SUMMARY: FOR IR REFER TO TS-67643-002
FOR NON IR REFER TO TS-67643-003
7. PACKAGE: REFER TO PK-67643-002
8. LEAD FREE AND ROHS COMPLIANCE PRODUCT

REVISED EC NO: DRWN: YPWU CHKD: APPR:	2009/08/28	QUALITY SYMBOLS ▽=0 ◻=0	GENERAL TOLERANCES (UNLESS SPECIFIED)		DIMENSION STYLE MM ONLY		SCALE 1:1	DESIGN UNITS METRIC	THIRD ANGLE PROJECTION		
					mm	INCH	DRAWN BY IVY-LIN	DATE 2005/04/01	TITLE USB A TYPE RCPT SGL RA THRHOLE WITH UPPER FLG (LEAD-FREE VERSION)		
			4 PLACES	± ---	± ---	CHECKED BY ALL IN	DATE 2005/04/01				
			3 PLACES	± ---	± ---	APPROVED BY WWSCHANG	DATE 2005/04/01	MOLEX INCORPORATED DOCUMENT NO. SD-67643-004 SHEET NO. 1 OF 2			
2 PLACES	± 0.25	± ---	DRAFT WHERE APPLICABLE MUST REMAIN WITHIN DIMENSIONS		SEE SHEET 2 THIS DRAWING CONTAINS INFORMATION THAT IS PROPRIETARY TO MOLEX INCORPORATED AND SHOULD NOT BE USED WITHOUT WRITTEN PERMISSION						
1 PLACE	± 0.25	± ---	ANGULAR ± 3 °								

7 6 5 4 3 2 1

P/N	HOUSING MATERIAL	COLOR	CONTACT PLATING	METAL SHELL PLATING	REMARK
67643-0990	POLYESTER	BLACK	GOLD FLSAH	IR REFLOW PROCESS MATTE TIN PLATED AT SOLDER AREA THICKNESS=100 MICROINCH MINIMUM UNDER PLATE:NICKEL (Ni),(SOLDERING AVAILABLE)	NON IR
67643-1990	POLYESTER	WHITE			REFLOW PROCESS
67643-2990	HIGH TEMPERATURE NYLON	BLACK			FOR IR
67643-3990	HIGH TEMPERATURE NYLON	WHITE			REFLOW PROCESS
67643-0991	POLYESTER	BLACK	GOLD PLATING 30 MICROINCH	NON IR REFLOW PROCESS: MATTE TIN PLATED. THICKNESS=80 MICROINCH MINIMUM UNDER PLATE:NICKEL (Ni).	NON IR
67643-1991	POLYESTER	WHITE			REFLOW PROCESS
67643-2991	HIGH TEMPERATURE NYLON	BLACK			FOR IR
67643-3991	HIGH TEMPERATURE NYLON	WHITE			REFLOW PROCESS
PCB THICKNESS		1.60±0.05			
DIMENSION "A"		2.60			

P/N	HOUSING MATERIAL	COLOR	CONTACT PLATING	METAL SHELL PLATING	REMARK
67643-0980	HIGH TEMPERATURE NYLON	BLACK	GOLD FLSAH	IR REFLOW PROCESS MATTE TIN PLATED AT SOLDER AREA THICKNESS=100 MICROINCH MINIMUM UNDER PLATE:NICKEL (Ni),(SOLDERING AVAILABLE)	FOR IR
67643-1980	HIGH TEMPERATURE NYLON	WHITE			
67643-0981	HIGH TEMPERATURE NYLON	BLACK	GOLD PLATING 30 MICROINCH		
67643-1981	HIGH TEMPERATURE NYLON	WHITE			
PCB THICKNESS		1.20±0.05			
DIMENSION "A"		2.00			

REVISED ECT NO: D	2009/08/28 DRWN: YPWU CHKD: APPR:	DESCRIPTION REV	QUALITY SYMBOLS ▽=0 ◻=0	GENERAL TOLERANCES (UNLESS SPECIFIED) mm INCH 4 PLACES ± --- ± --- 3 PLACES ± --- ± --- 2 PLACES ± 0.25 ± --- 1 PLACE ± 0.25 ± --- ANGULAR ± 3 °	DIMENSION STYLE MM ONLY DRAWN BY DATE IVY-LIN 2005/04/01 CHECKED BY DATE ALL IN 2005/04/01 APPROVED BY DATE WWSCHANG 2005/04/01	SCALE 1:1 DESIGN UNITS METRIC	THIRD ANGLE PROJECTION	TITLE USB A TYPE RCPT SGL RA THRHOLE WITH UPPER FLG (LEAD-FREE VERSION)
			DRAFT WHERE APPLICABLE MUST REMAIN WITHIN DIMENSIONS	MATERIAL NO. SEE TABLE	MOLEX INCORPORATED	SHEET NO. 2 OF 2		
			SIZE A4	THIS DRAWING CONTAINS INFORMATION THAT IS PROPRIETARY TO MOLEX INCORPORATED AND SHOULD NOT BE USED WITHOUT WRITTEN PERMISSION				
			DOCUMENT NO. SD-67643-004					

6 5 4 3 2 1