

Rev	AWO #	Description	Date	Appr
-		RELEASED	7/29/10	

6

5

4

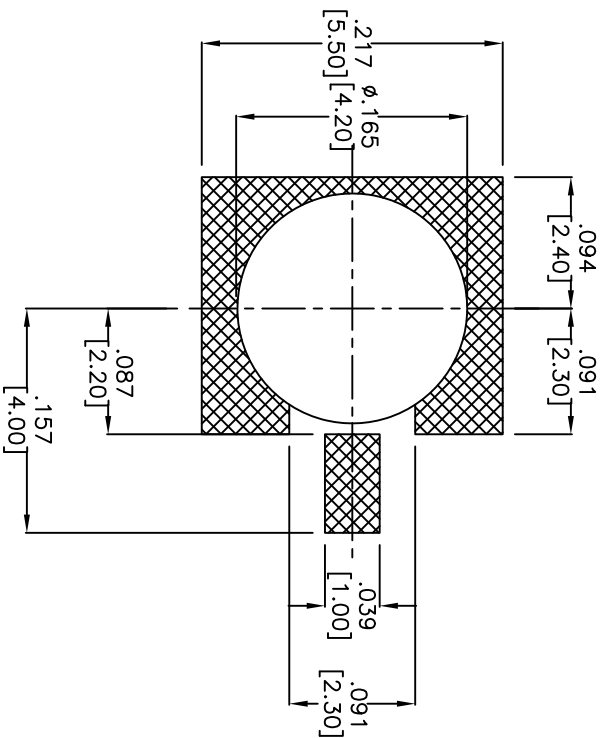
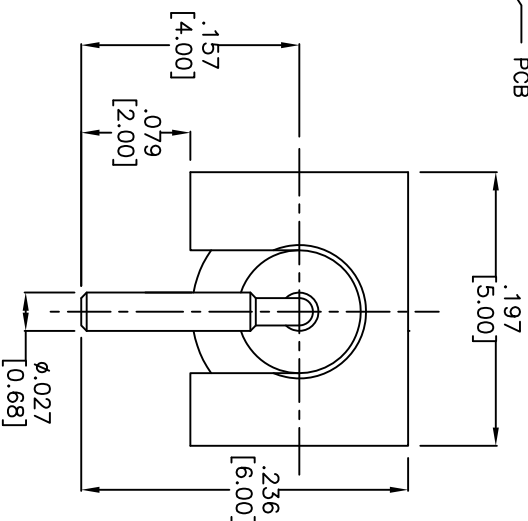
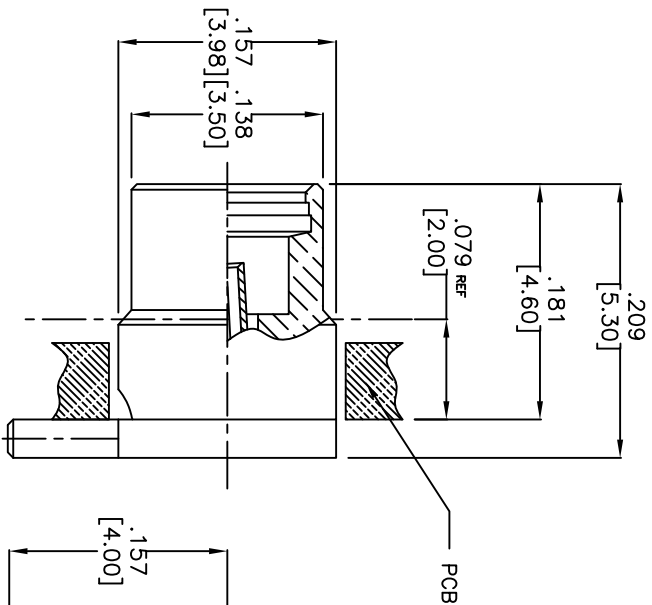
3

2

1

APPROVED: \_\_\_\_\_

DATE: \_\_\_\_\_ TITLE: \_\_\_\_\_



CONTACT PIN	COPPER	30u" GOLD PLATED
INSULATOR	TEFLON	WHITE
BODY	BRASS	GOLD FLASH PLATED
DESCRIPTION	MATERIAL	FINISH

**SPECIFICATIONS:****Electrical:**

Nominal Impedance: 50 ohms

Frequency range: 0-6 GHz

Working Voltage: 170 VRMS max.

Dielectric Withstanding Voltage: 500 VRMS min.

Contact Resistance: 5 Milliohms max. (Center Contact)

Contact Resistance: 2.5 Milliohms max. (Outer Contact)

Insulator Resistance: 1000 Megohms min.

Environmental:

Lead free, RoHS compliant.

**ADAM TECH**909 Rahway Avenue, Union, NJ 07083  
Phone: 908-687-5000 Fax: 908-687-5710

MMCX JACK R/A PCB MOUNT JACK

UNLESS OTHERWISE SPECIFIED  
ALL DIMENSIONS ARE MM  
TOLERANCES: EXCEPT AS NOTED  
INCHES

.X	± .10	Ø.X	± .10
.XX	± .020	Ø.XXX	± .015
.XXX	± .015	Ø.XXXX	± .010

## APPROVALS

## DATE

DRAWN	AY	7/29/10
CHECKED	AH	7/29/10
APPROVED		

## TITLE

MMCX JACK R/A PCB MOUNT JACK

## SIZE

X

## PART NO.

RF12-500-2

## REV.

-

## REF:

S00092T

## SCALE:

NFS

## SHEET

1 OF 1

6

5

4

3

2

1