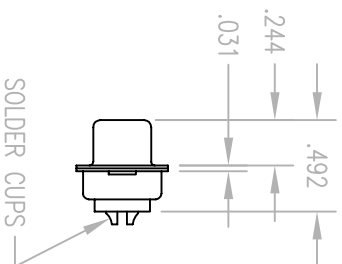
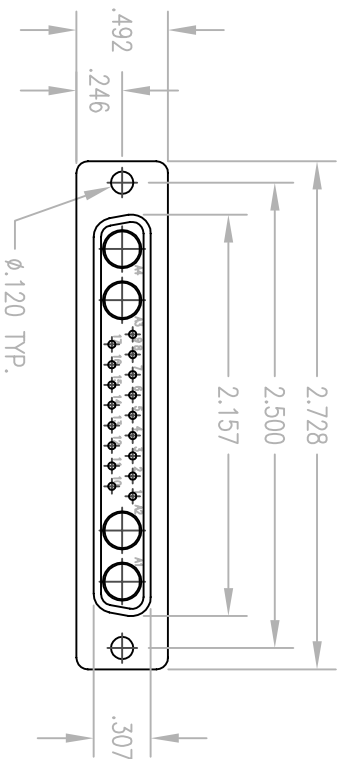
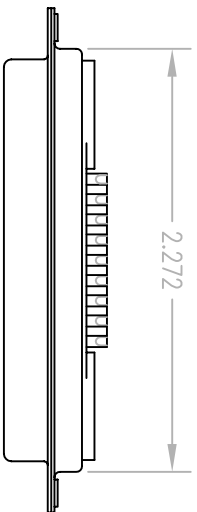


REV	DESCRIPTION	REV	DATE
-	REF 1404	06/25/99	EE



- NOTES:
1. MATERIALS:  
 SHELL: STEEL PER ASTM A568  
 INSULATOR: GLASS FILLED POLYESTER  
 CONTACTS: COPPER ALLOY PER ASTM B140
  2. FINISH:  
 SHELL: YELLOW CHROMATE OVER ZINC PER ASTM B633  
 INSULATOR: GREEN  
 CONTACTS: .000030 MIN. GOLD PER MIL-G-45204 OVER NICKEL
  3. CONTACT ARRANGEMENT: AS SHOWN

PER ASME Y14.5M-1994 UNLESS OTHERWISE SPECIFIED: DIMENSIONS ARE IN INCHES OR INCHES/MM TOLERANCES: DECIMALS .004 ± .005/0.127 ANGLES ± .5° SCALE: 1:1		<b>LITTON</b> Winchester Electronics/RETCONN 400 Paul Road Wilmington, Connecticut 06798	
CUSTOMER DRAWING DATE CHECKED: 06/25/99 DATE APPROVED:		TITLE D-SUB HOUSING - MIXED LAYOUTS (21WA4S)	
DRAWN: JED APPROVED:	DATE: 06/25/99 DATE APPROVED:	REV: A RM21WA4S-50-ZB	SMT: 1 OF: 1 REV: -