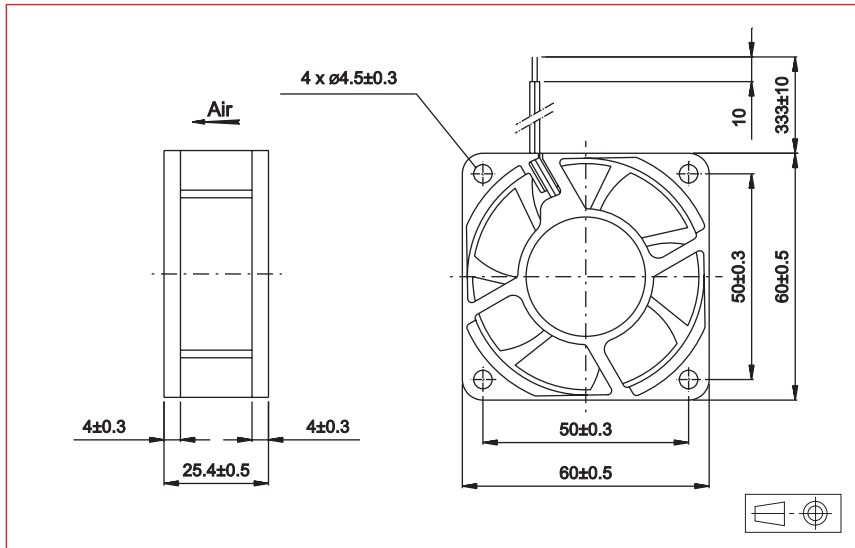


2,362" x 2,362" x 0,984"

60 x 60 x 25 mm

Series  
**281D**  
L, M, H, S  
speeds

**ETRI**<sup>®</sup>  
DC Axial Fans



Approvals



Life expectancy

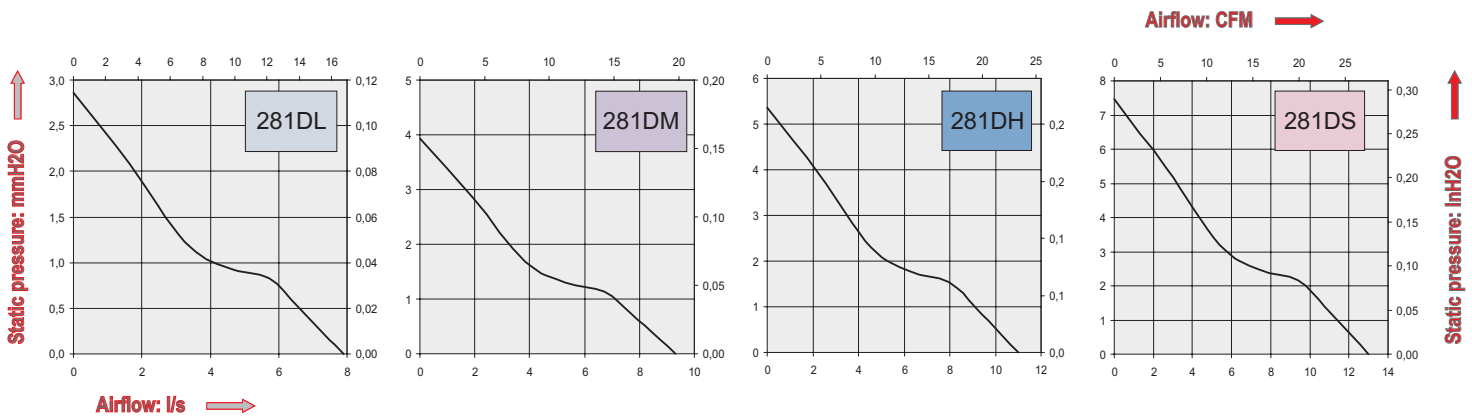
L-10 LIFE AT 40°C :  
70 000 hours

Brushless DC Motor

Electrical protection: integrated circuit  
Housing material: plastic UL 94 V0  
Impeller material: plastic UL 94 V0  
Maximum weight: 80g  
Bearing system: ball bearings  
Connection: flying leads  
IP 20

Available with:

- Speed sensor
- Alarm
- IP 54 / IP 55



Part Number	Nominal voltage	Airflow	Noise level	Nominal speed	Input Power	Voltage range	Operating temperature	
	V	l/s	dB(A)	RPM	W	V	Min.°C	Max.°C
281DL1LP11000B	12	7,9	26,5	3100	0,96	(4-13,8)	-10	70
281DL2LP11000B	24	7,9	26,5	3100	1,44	(14-27,6)	-10	70
281DM1LP11000B	12	9,3	31	3600	1,56	(4-13,8)	-10	70
281DM2LP11000B	24	9,3	31	3600	1,68	(14-27,6)	-10	70
281DH1LP11000B	12	11	34	4250	1,68	(4-13,8)	-10	70
281DH2LP11000B	24	11	34	4250	2,16	(14-27,6)	-10	70
281DS1LP11000B	12	13	40	5000	2,04	(4-13,8)	-10	70
281DS2LP11000B	24	13	40	5000	2,64	(14-27,6)	-10	70
281DS4LP11000B	48	13	40	5000	3,84	(28-56)	-10	70

Additional versions:

Higher speeds (refer to page 11)