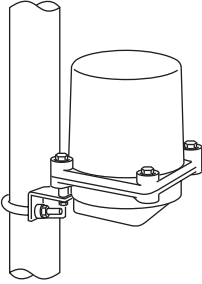


OUTDOOR HOUSING

(weather-proof)

Functions & Features

• Used for outdoor installation of the lightning surge protectors, signal conditioners or alarms (See 'APPLICABLE MODELS' below)



MODEL: BX-W1[1]

ORDERING INFORMATION

• Code number: BX-W1[1]
Specify a code from below for [1].
(e.g. BX-W1/S4)

[1] OPTIONS

Type

/S: Stainless, 3 cable conduits

/S4: Stainless, 4 cable conduits (without internal ground terminal)

APPLICABLE MODELS

■ Lightning Surge Protectors

● 1 UNIT

[MDP series, 6-terminal type]

- RTD use (model: MDP-RB)
- Potentiometer use (model: MDP-PM)
- Self-synch use (model: MDP-JS)
(and others)

[8-pin or 11-pin socket mounted]

- Power supply use (model: MA-100, MA-200)
- Power supply use (model: MAX, MAA, MAAC)
- DC power supply use (model: MDH, MDHA)
(and others)

[DIN rail mounting type]

- Signal line & pulse use (model: MDM2A-24, MDM2A-65)
- For RS-485 / RS-422 (model: MDW2A-4R)
(and others)

● 2 UNITS

[MDP series, 4-terminal type]

- Signal line & pulse use (model: MDP-24-1/MDP-65-1)
- Thermocouple use (model: MDP-TC)

- Strain gauge use (model: MDP-LC)
(and others)

■ Signal Conditioners, Alarms

[8-pin or 11-pin socket mounted]

- Plug-in Signal Conditioners M-UNIT Series
- Plug-in Signal Conditioners K-UNIT Series
- Dual Output Plug-in Signal Conditioners W-UNIT Series
- Limit Alarms (potentiometer adj.) A-UNIT Series
- Limit Alarms (rotary switch adj.) AL-UNIT Series
- Plug-in Signal Conditioners MX-UNIT Series

[DIN rail mounting type]

- Super-mini Two-wire Signal Conditioners T-UNIT Series
- Super-mini Signal Conditioners Mini-M Series
- Space-saving Dual Output Signal Conditioners Mini-MW Series
- Super-mini Signal Conditioners with LCD Display M7E-UNIT Series

(For use with other devices, consult M-System.)

Note 1: A DIN rail shall be prepared by customer.

Note 2: Be sure that the device you want to install within the BX-W1 is smaller than the internal dimension the outdoor housing. Certain models cannot be installed due to their shape or accessories.

Note 3: There is not internal earth terminal in 4-conduit type.

Be sure to choose 3-conduit type for 8- or 11-pin socket mounted lightning surge protectors.

PACKAGE INCLUDES...

Accessory: Mounting Frame for MDP use
(model: MDP-FR)

GENERAL SPECIFICATIONS

Degree of protection: IP X3 (for upright mounting)

Material

Main body: AC4C cast aluminium alloy

Mounting bracket: SCS13 cast stainless steel

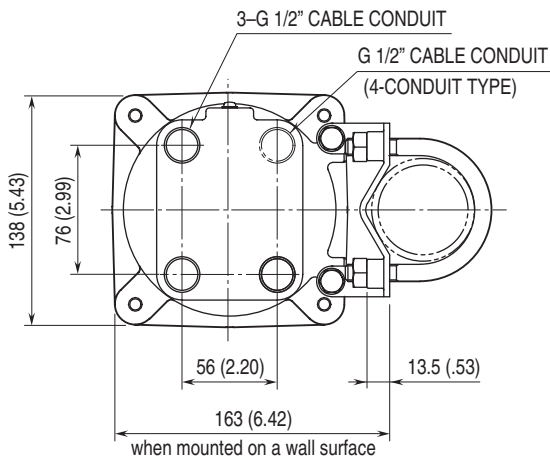
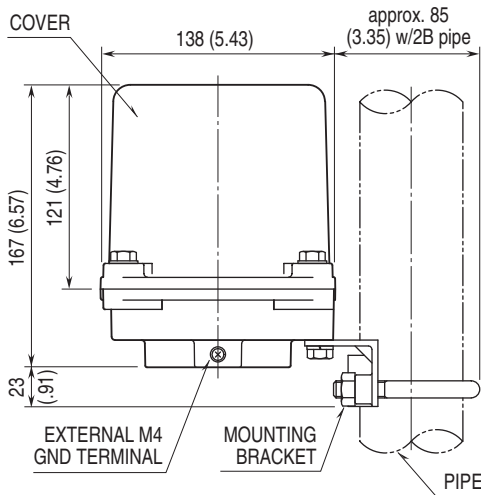
Coating: Baked coating (silver color)

Adoptable pipe: 2B (2")

Weight: 2.5 kg (5.5 lb) including mounting bracket and bolts

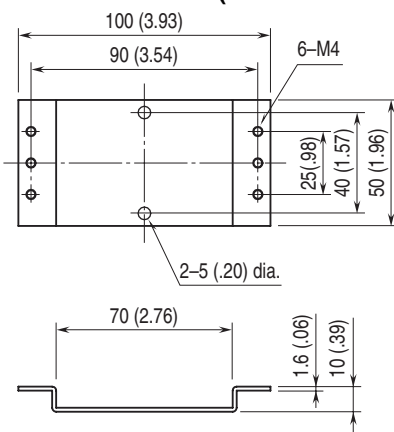
DIMENSIONS unit: mm (inch)

EXTERNAL DIMENSIONS



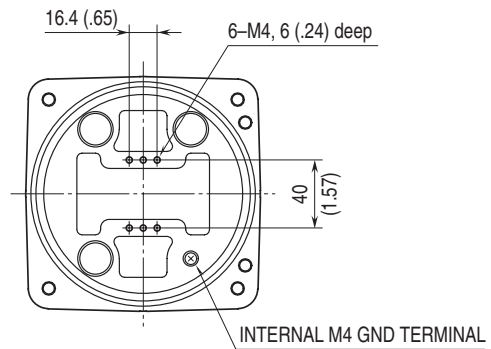
BOTTOM VIEW

MOUNTING FRAME (for MDP Series)

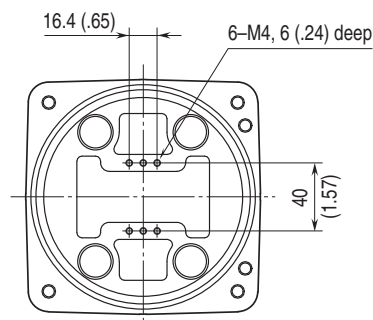


INTERNAL DIMENSIONS

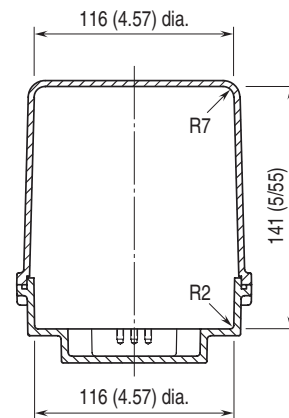
3-CONDUIT TYPE



4-CONDUIT TYPE

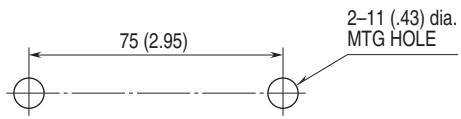


TOP COVER REMOVED



PANEL CUTOUT unit: mm (inch)

■ SURFACE MOUNTING



Specifications are subject to change without notice.