

The Most **Reliable**
Storage For Industries

SDM5A-M 7P/180D LP5(H)



SDM5A-M 7P/180D LP5(H)

Overview

Apacer's SDM5A-M (SATADisk Module 5A - M) offers elevated speed boost and higher error correction capabilities. Built with SATA6 Gb/s interface, SDM5A-M delivers exceptional performance in data transfer.

With its SATA interface compliance and compact size, this high-speed disk module defines an ideal balance of performance, capacities, reliability and cost. SDM5A-M comes in moderate capacities that are suitable to boot industrial applications and light operating systems for specific operations, while with some extra memory space for data storage. The architectural nature of SATADisk module provides higher resistance to external environmental influences and better flexibility for motherboard space.

Regarding data reliability, SDM5A-M is built in with powerful ECC engine that can correct up to 40-bit per 1KB data. In addition, the controller unit of this DOM device supports wear-leveling, SMART and power failure management for data integrity. With its trustable reliability, performance and cost effectiveness, Apacer's SDM5A-M is definitely the ideal storage or cache solution for embedded and industrial computers, servers and thin clients.



(Optional)

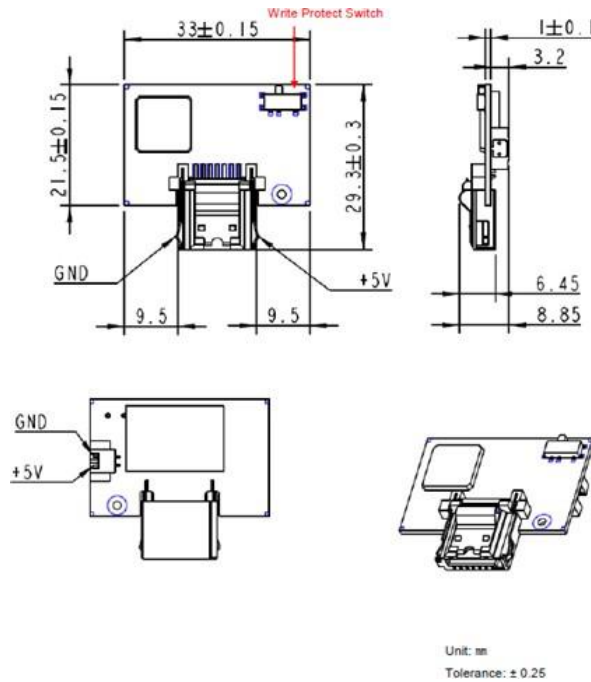
Feature

- 7-pin SATA connector
- Unique Hook Design
- Multi-PowerPath Technology
- TRIM Command Support
- Product Housing Selection (Optional)
- Built-in ATA Secure Erase and S.M.A.R.T. Functions
- Global Wear-Leveling and Block Management

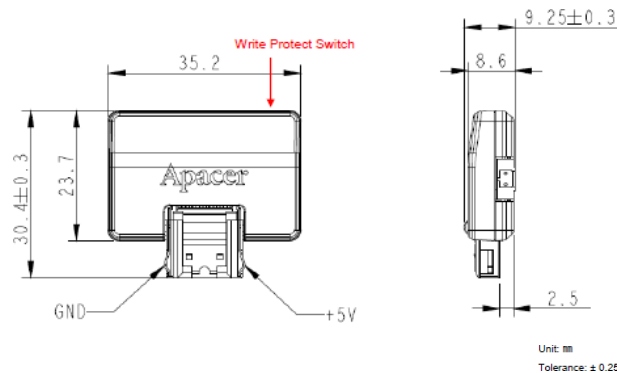
Specifications

Model	SDM5A-M 7P/180D LP5(H)
Interface	SATA 3.0 (6Gb/s)
Connector	7-pin
Form Factor	SATA Disk Module
NAND Flash Type	MLC
Capacity	32GB ~ 64GB
External DRAM	No
Sustained Read Performance (MB/sec)	Up to 435
Sustained Write Performance (MB/sec)	Up to 80
ECC Engine	Built-in 40-bit per 1Kbytes BCH ECC
Standard Operating Temperature (°C)	0 ~ + 70
Extended Operating Temperature (°C)	-40 ~ + 85
Storage Temperature (°C)	-40 ~ + 100
Housing	Optional
H/W Write Protect	Optional
Screw Hole	No
Cable-less Solution	Optional (7+2 cable-less, Pin 7 Power cable-less)
Thermal sensor	No
Shock	Operation: 50G, 11ms Non-operation: 1500G, 0.5ms
Vibration	Operation: 7.69 Grms, 20~2000 Hz/random (compliant with MIL-STD-810G) Non-operation: 15 G, 10 ~ 2000 Hz/sine
Operating Voltage	5.0 V ± 5%
Power Consumption	Active mode: 225 mA & Idle mode: 70mA
Dimension (L x W x H)	Without housing: Standard type: 30.0 x 27.8 x 8.2 mm High-speed type: 30.0 x 27.8 x 7.4 mm With housing: 32.5 x 29.4 x 8.53 mm
MTBF (hours)	>1,000,000

Mechanical Specification



(Optional)



**For more information,
contact your Apacer representative**

Global Presence

Taiwan (Headquarters)
Apacer Technology Inc.
Tel: +886-2-2267-8000
Fax: +886-2-2267-2261

Japan
Apacer Technology Corp.
Tel: +81-3-5419-2668
Fax: +81-3-5419-0018

Europe
Apacer Technology B.V.
Tel: +31-40-267-0000
Fax: +31-40-290-0686

India
Apacer Technologies Pvt. Ltd.
Tel: +91-80-41529061~3
Fax: +91-80-41700215

U.S.A.
Apacer Memory America, Inc.
Tel: +1-408-518-8699
Fax: 1-510-249-9551

China
Apacer Electronic(Shanghai)
Co., Ltd.
Tel: +86-21-6228-9939