

环保物料

TEL:0769-82001899

改进塑胶厚度，产品尺寸更容易管控，尺寸更稳定

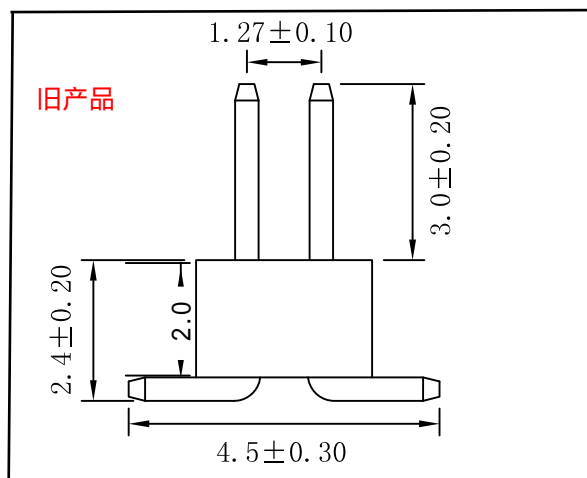
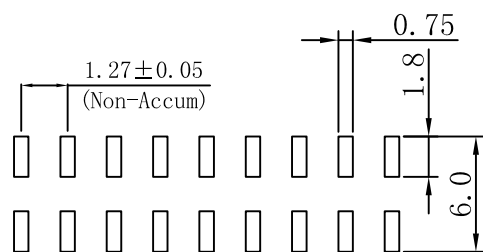
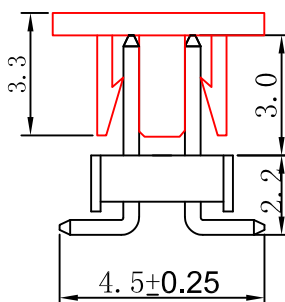
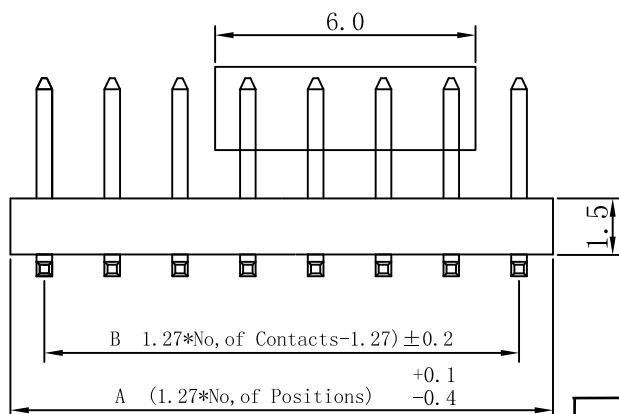
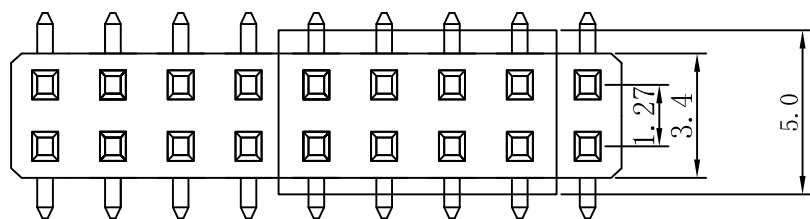
SPECIFICATIONS

Current Rating: 2Amps
 Insulator resistance: 5000 Megohms min.
 Dielectric Withstaanding: AC 500V
 Operating Temperature: -40° TO +105°C
 Max Processing Temp: 230° TO 260° for 30-60 seconds
 Contact Materiaal: Brass
 Plating: Gold Flash
 Insulator Material: NYLON-6T

UNSPECIFIED TOLERANCE: ±0.20

Dimen Sions List

Contacts Per Row	A	B	Contacts Per Row	A	B
2*02	2.54	1.27	2*22	27.94	26.67
2*03	3.81	2.54	2*23	29.21	27.94
2*04	5.08	3.81	2*24	30.48	29.21
2*05	6.35	5.08	2*25	31.75	30.48
2*06	7.62	6.35	2*26	33.02	31.75
2*07	8.89	7.62	2*27	34.29	33.02
2*08	10.16	8.89	2*28	35.56	34.29
2*09	11.43	10.16	2*29	36.83	35.56
2*10	12.70	11.43	2*30	38.10	36.83
2*11	13.97	12.70	2*31	39.37	38.10
2*12	15.24	13.97	2*32	40.64	39.37
2*13	16.51	15.24	2*33	41.91	40.64
2*14	17.78	16.51	2*34	43.18	41.91
2*15	19.05	17.78	2*35	44.45	43.18
2*16	20.32	19.05	2*36	45.72	44.45
2*17	21.59	20.32	2*37	46.99	45.72
2*18	22.86	21.59	2*38	46.99	54.61
2*19	24.13	22.86	2*39	49.53	48.26
2*20	25.40	24.13	2*40	50.80	49.53
2*21	26.67	25.40			



AO	MODIFICATION	DRAW	DATE
VER			

TOLERANCE UNLESS OTHERWISE		DRAWN	CK tan
X.	±0.30 X° ±5°	CHKD	
.X	±0.20 .X° ±2°	APPD	
.XX	±0.08 .XX° ±1°	VIEW	⊕ ⊖
.XXX	±0.03 .XXX° ±0.5°		

XFCN 兴飞连接器有限公司		SHEET	1/1
XFCN CONNECTORS CO.,LTD.		DATE	2020.04.12
PRODUCT NAME	1.27mm Pin Header Connectors	UNITS	mm
PART. NO.	PZ127VS-12-xx-H16-4.5-R	SCALE	1:1
		DWG. NO.	009