

PLEASE CHECK WWW.MOLEX.COM FOR LATEST PART INFORMATION

Part Number: [0623005300](#)
Status: **Active**
Description: Hawk™ Ribbon Cable Terminator with Break-off

Documents:

[RoHS Certificate of Compliance \(PDF\)](#)

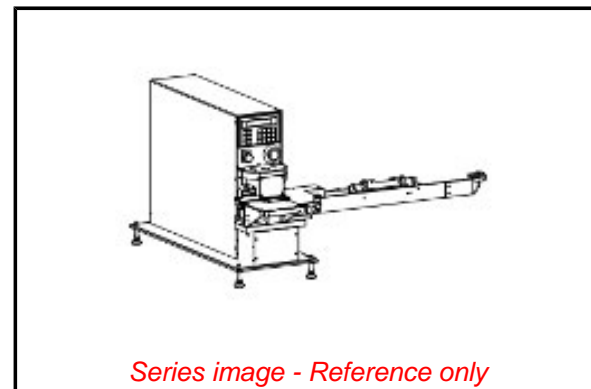
General

Product Family	Application Tooling
Series	T9999
Function	Insulation Displacement (IDT)
Geographic Area	Global
Level of Automation	Semi-Automatic
More Detailed Tech Information	applicationtooling@molex.com
Product Name	Hawk™
Survey	www.molex.com//review/apptool_survey.html
Tool Type	Terminator
UPC	800753288232

Material Info

Reference - Drawing Numbers

Application Tooling Documents	TM-623002900
-------------------------------	--------------



Series image - Reference only

EU ELV

Not Reviewed

EU RoHS

Not Reviewed

REACH SVHC

Not Reviewed

Halogen-Free

Status

Not Reviewed

Need more information on product environmental compliance?

Email productcompliance@molex.com
Please visit the [Contact Us](#) section for any non-product compliance questions.

China ROHS

Not Reviewed

ELV

Not Reviewed

Search Parts in this Series

[T9999 Series](#)

Use With

[70400 C-Grid SL™ IDT Connectors](#)

PLEASE CHECK WWW.MOLEX.COM FOR LATEST PART INFORMATION