



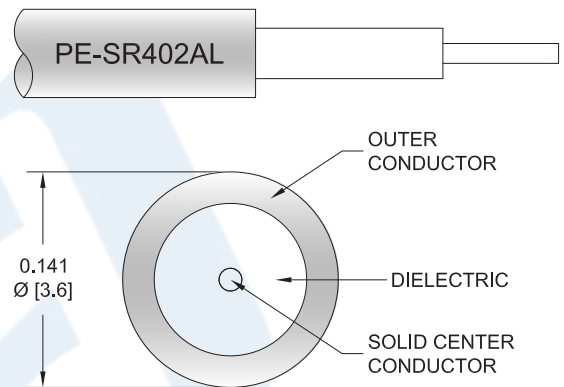
SMA Male to SMA Female Cable 18 Inch Length  
Using PE-SR402AL Coax, RoHS

RF Cable Assemblies Technical Data Sheet

PE34235LF-18

**Configuration**

- Connector 1: SMA Male
- Connector 2: SMA Female
- Cable Type: PE-SR402AL



**Electrical Specifications**

Description	Minimum	Typical	Maximum	Units
Frequency Range	DC		18	GHz
VSWR			1.4:1	

**Specifications by Frequency**

Description	F1	F2	F3	F4	F5	Units
Frequency	1	2	4.5	9	18	GHz
VSWR (Max.)	1.4:1	1.4:1	1.4:1	1.4:1	1.4:1	
Return Loss (Max.)	15.56	15.563	15.563	15.563	15.563	dB

**Mechanical Specifications**

**Cable Assembly**

Length	18 in [457.2 mm]
Diameter	0.315 in [8 mm]
Weight	0.042 lbs [19.05 g]

**Cable**

Cable Type	PE-SR402AL
Impedance	50 Ohms
Inner Conductor Type	Solid
Inner Conductor Material and Plating	Copper Clad Steel, Silver

Click the following link (or enter part number in "SEARCH" on website) to obtain additional part information including price, inventory and certifications: [SMA Male to SMA Female Cable 18 Inch Length Using PE-SR402AL Coax, RoHS PE34235LF-18](#)





SMA Male to SMA Female Cable 18 Inch Length  
 Using PE-SR402AL Coax, RoHS

RF Cable Assemblies Technical Data Sheet

PE34235LF-18

Dielectric Type	PTFE
Number of Shields	1
Shield Layer 1	Tinned Aluminum
Jacket Diameter	0.141 in [3.58 mm]
One Time Minimum Bend Radius	0.1 in [2.54 mm]

**Connectors**

Description	Connector 1	Connector 2
Type	SMA Male	SMA Female
Specification	MIL-STD-348A	MIL-STD-348
Impedance	50 Ohms	50 Ohms
Contact Material and Plating	Brass, Gold	Beryllium Copper, Gold
Contact Plating Specification	50µ in. minimum	MIL-G-45204
Dielectric Type	Teflon	Teflon
Coupling Nut Material and Plating	Brass, Nickel	
Coupling Nut Plating Specification	100µ in. minimum	
Hex Size	5/16 in	
Torque	5 in-lbs [0.57 Nm]	
Body Material and Plating	Stainless Steel, Gold	Stainless Steel, Gold
Body Plating Specification	10µ in. minimum	MIL-G-45204

**Compliance Certifications** (visit [www.Pasternack.com](http://www.Pasternack.com) for current document)  
 RoHS Compliant Yes

**Plotted and Other Data**

- Notes:  
 • Values at 25°C, sea level.

Click the following link (or enter part number in "SEARCH" on website) to obtain additional part information including price, inventory and certifications: [SMA Male to SMA Female Cable 18 Inch Length Using PE-SR402AL Coax, RoHS PE34235LF-18](#)





SMA Male to SMA Female Cable 18 Inch Length  
Using PE-SR402AL Coax, RoHS

RF Cable Assemblies Technical Data Sheet

PE34235LF-18

**How to Order**

Part Number Configuration:

**PE34235LF - xx uu**

Unit of Measure:  
cm = Centimeters  
<blank> = Inches  
Length  
Base Number

Example: PE34235LF-12 = 12 inches long cable  
PE34235LF-100cm = 100 cm long cable

SMA Male to SMA Female Cable 18 Inch Length Using PE-SR402AL Coax, RoHS from Pasternack Enterprises has same day shipment for domestic and International orders. Our RF, microwave and millimeter wave products maintain a 99% availability and are part of the broadest selection in the industry.

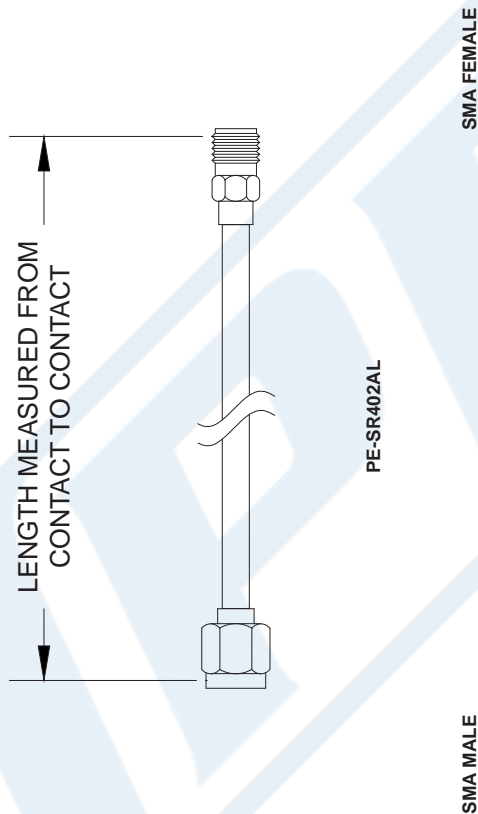
Click the following link (or enter part number in "SEARCH" on website) to obtain additional part information including price, inventory and certifications: [SMA Male to SMA Female Cable 18 Inch Length Using PE-SR402AL Coax, RoHS PE34235LF-18](http://www.pasternack.com/sma-male-sma-female-pe-sr402al-cable-assembly-pe34235lf-18-p.aspx)

URL: <http://www.pasternack.com/sma-male-sma-female-pe-sr402al-cable-assembly-pe34235lf-18-p.aspx>

The information contained in this document is accurate to the best of our knowledge and representative of the part described herein. It may be necessary to make modifications to the part and/or the documentation of the part, in order to implement improvements. Pasternack reserves the right to make such changes as required. Unless otherwise stated, all specifications are nominal. Pasternack does not make any representation or warranty regarding the suitability of the part described herein for any particular purpose, and Pasternack does not assume any liability arising out of the use of any part or documentation.

# PE34235LF-18 CAD Drawing

SMA Male to SMA Female Cable 18 Inch Length Using PE-SR402AL Coax, RoHS



How To Order		Part # Ext.	Length In Inches	Part # Ext.	Length In Centimeters
<b>Part Number Configuration</b> PE3 <input type="text" value="zzz"/> <input type="text" value="yy"/> <input type="text" value="xx"/> <input type="text" value="uu"/> 00 - 99999 LF = RoHS Compliant < Blank > = Standard Note: LF applies only to RF cables		-12	12"	-25CM	25Cm
Examples PE3000LF-100 PE3000-100 PE3000LF-100CM PE3000-100CM CM = Centimeters < Blank > = Inches _____ Length		-24	24"	-50CM	50Cm
		-36	36"	-75CM	75Cm
		-48	48"	-100CM	100Cm
		-60	60"	-125CM	125Cm
		-xx	Custom Length	-xxCM	Custom Length

NOTES:  
 1. UNLESS OTHERWISE SPECIFIED ALL DIMENSIONS ARE NOMINAL.  
 2. ALL SPECIFICATIONS ARE SUBJECT TO CHANGE WITHOUT NOTICE AT ANY TIME.  
 3. DIMENSIONS ARE IN INCHES [mm].  
 4. LENGTH TOLERANCE IS ± 1.5% OR 3/8", WHICHEVER IS GREATER.

DWG TITLE  
**PE34235LF**

**PE PASTERNAK®**  
 Pasternack Enterprises, Inc.  
 P.O. Box 16759 | Irvine | CA | 92623  
**Phone:** (949) 261-1920 | **Fax:** (949) 261-7451  
**Website:** www.pasternack.com | **E-Mail:** sales@pasternack.com

CAD FILE 41613 SCALE N/A SIZE A

FSCM NO. 53919