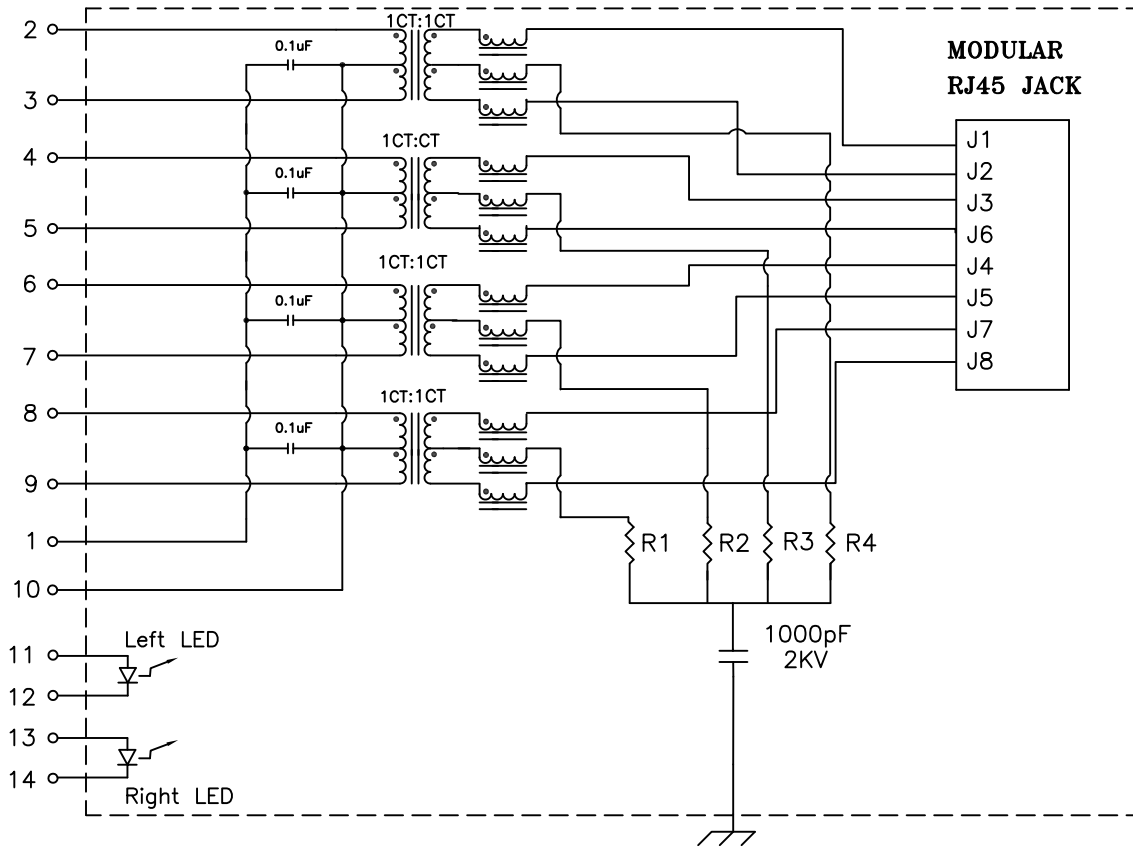


1. Schematic:



R1,R2,R3,R4: 75 ±5% OHMS

Complete the Combo P/N as follows:

Replace 'x' & 'u' in the part number with one of the LED color letters:

Y=Yellow	'x' = Left LED Color
G=Green	'u' = Right LED Color
A=Amber	
R=Red	

C=Green(1)/Amber(2) Bicolor
D=Amber(1)/Green(2) Bicolor
M=Green(1)/Yellow(2) Bicolor
N=Yellow(1)/Green(2) Bicolor
P=Red(1)/Green(2) Bicolor
Q=Green(1)/Red(2) Bicolor
E=Red(1)/Yellow(2) Bicolor
F=Yellow(1)/Red(2) Bicolor
H=Amber(1)/Yellow(2) Bicolor
J=Green(1)/Green(2) Bicolor

Single Color LED:

Bi-Color LED:

2. Electrical Specifications: @25°C

- ISOLATION: 1500VAC / 2250 Vdc min at 60Sec (Input-Output)
- TURNS RATIO: (PRI/SEC) 1CT:1CT ±2%
- OCL: 350uH MIN @100KHz 100mV 8mADC
- Q: 5 Min @100KHz 0.1V
- DCR: 0.80 Ohms Max Each (1/2 winding)
- DCR IMBALANCE: ±0.065 Ohms Max (CENTER TAP SYMMETRY)
- INSERTION LOSS: -1.2dB MAX @100KHz
-1.4dB TYP @1-125MHz
- RETURN LOSS: -15dB Min @0.1-40MHz
-12+20*LOG(f/80MHz)dB Min @40-100MHz
- Crosstalk: -40dB Min @1MHz
-40+10*LOG(f/10)dB Min @10-100MHz
- CMRR: -50dB Min @2MHz
-15+20*LOG(f/200)dB Min @30-200MHz

Notes:

- Solderability: Leads shall meet MIL-STD-202G, Method 208H for solderability.
- Flammability: UL94V-0
- ASTM oxygen index: > 28%
- UL Recognized Component: File Number E165866
- Operating Temperature Range: All listed parameters are to be within tolerance from -40°C to +85°C
- Storage Temperature Range: -55°C to +125°C
- Aqueous wash compatible
- Electrical and mechanical specifications 100% tested
- RoHS Compliant Component

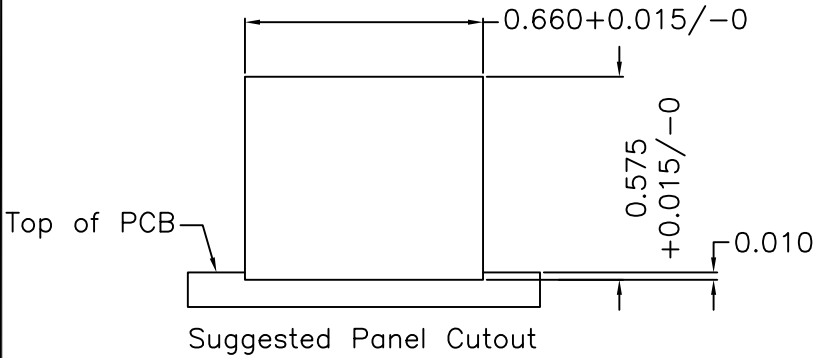
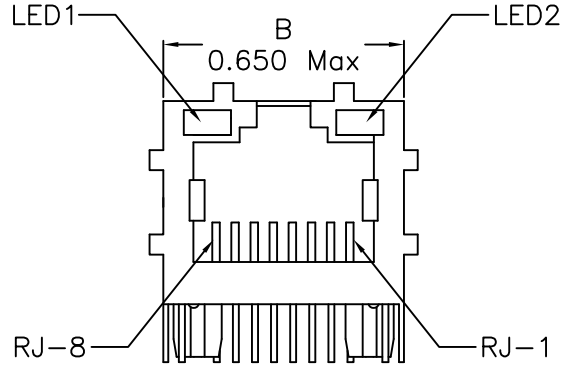
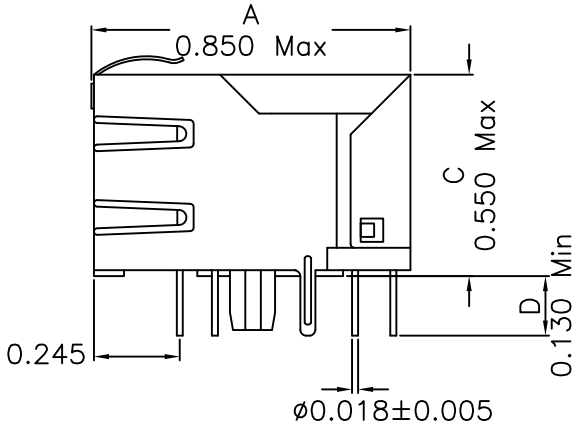
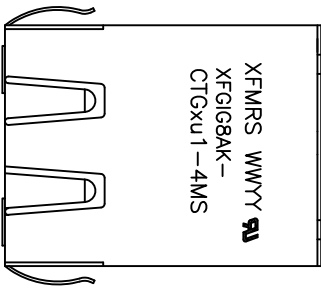
XFMRs Inc. www.XFMRS.com	Title: 0.85" Tab-UP Single part		
	UNLESS OTHERWISE SPECIFIED TOLERANCES: .xxx ±0.010 Dimensions in Inch	P/N: XFGIG8AK-CTGxu1-4MS	REV. A
SHEET 1 OF 2	DWN.	Xiang	Oct-28-16
	CHK.	YK Liao	Oct-28-16
	APP.	DDC	Oct-28-16

DOC. REV: A/2

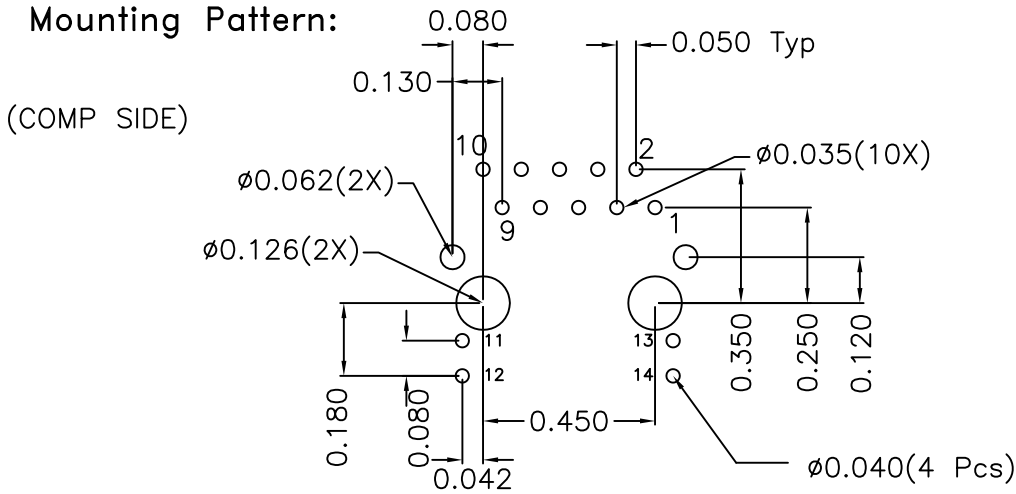
PROPRIETARY:

Document is the property of XFMRs Group & is not allowed to be duplicated without authorization.

Mechanical Dimensions:



Mounting Pattern:



DOC REV: A/2

XFMRS Inc.
www.XFMRS.com

Title:
0.85" Tab-UP Single part

UNLESS OTHERWISE SPECIFIED
TOLERANCES:
.xxx ± 0.010
Dimensions in Inch

P/N: XFGIG8AK-CTGxu1-4MS

REV. A

DWN.

Xiang

Oct-28-16

CHK.

YK Liao

Oct-28-16

APP.

DDC

Oct-28-16

PROPRIETARY:

Document is the property of XFMRS Group & is not allowed to be duplicated without authorization.

SHEET 2 OF 2