

Low Pressure Digital Sensor

SM6331-BCE-S-004-000
Differential Pressure Sensor

FEATURES

- Pressure range from -4 to 4 kPa; differential output
- 1.0%FS accuracy
- 16-bit digital, pressure calibrated and temperature compensated output
- I²C Digital Interface
- Compensated temperature range: -20 to 85°C
- Robust JEDEC SOIC-16 package for automated assembly
- Manufactured according to ISO9001 and ISO/TS 16949 standards



DESCRIPTION

The SM6331 is a digital, ultra-low pressure MEMS sensor offering state-of-the-art pressure transducer technology and CMOS mixed signal processing technology to produce a digital, fully conditioned, multi-order pressure and temperature compensated sensor in JEDEC standard SOIC-16 package with a dual vertical porting option. It is available in a differential pressure configuration.

Combining the pressure sensor with a signal-conditioning ASIC in a single package simplifies the use of advanced silicon micro-machined pressure sensors. The pressure sensor can be mounted directly on a standard printed circuit board and a high level, calibrated pressure signal can be acquired from the digital interface. This eliminates the need for additional circuitry, such as a compensation network or microcontroller containing a custom correction algorithm.

The SM6331 is shipped in sticks or tape & reel.

Medical	Industrial
Sleep Apnea	Airflow Measurement
CPAP	Pneumatic Gauges
Ventilators	Pressure Switches
Gas Flow Instrumentation	Safety Cabinets
Air Flow Monitors	Life Sciences
	Gas Flow Instrumentation
	HVAC

1. Absolute Maximum Ratings

All parameters are specified at Vdd = 3.3 V supply voltage at 25°C, unless otherwise noted.

No.	Characteristic	Symbol	Minimum	Typical	Maximum	Units
1	Supply Voltage	V _{DD}	3.0		5.5	V
2	Supply Current	I _{VDD}		3.2		mA
3	Compensated Temperature ^(b)	T _{COMP}	-20		+85	°C
4	Operating Temperature ^(a)	T _{OP}	-40		+105	°C
5	Storage Temperature ^(a)	T _{STG}	-40		+125	°C
6	Proof Pressure ^(a, c)	P _{Proof}			+/-30	kPa
7	Burst Pressure ^(a, d)	P _{Burst}			+/-40	kPa

Notes:

- a. Tested on a sample basis.
- b. Clean, dry gas compatible with wetted materials. Wetted materials include silicon, epoxy, RTV (silicon), gold, aluminum and mold compound.
- c. Proof pressure is defined as the maximum pressure to which the device can be taken and still perform within specifications after returning to the operating pressure range
- d. Burst pressure is the pressure at which the device suffers catastrophic failure resulting in pressure loss through the device.

2. ESD

No.	Description	Symbol	Minimum	Maximum	Units
2.1	ESD HBM Protection at all Pins	V _{ESD(HBM)}	-2	2	kV

3. External Components

No.	Description	Symbol	Min.	Typ.	Max.	Units
1	Supply bypass capacitor*	C _{VDD}		100		nF
2	I2C Data and clock pull up resistors*	R _p		4.7		kOhm

4. OPERATING CHARACTERISTICS TABLE

All parameters are specified at V_{DD} = 3.3 V DC supply voltage at 25°C, unless otherwise noted.

No.	Characteristic	Symbol	Minimum	Typical	Maximum	Units
9	Supply Voltage	V _{DD}	3.0	3.3	3.6	V
10	Supply Current	I _{VDD}		3		mA
11	Digital Pressure Output @ P _{MIN} (-4 kPa)	OUT _{MIN}		-26,214		Counts
12	Digital Pressure Output @ P _{MAX} (4kPa)	OUT _{MAX}		+26,214		Counts
13	Digital Full Scale Span	FS		52,428		Counts
14	Resolution (Digital Output)			16		Bits
15	Update Rate			2000		S/sec
16	Bandwidth	BW		125		Hz
17	Digital Output Accuracy ^(e)	ACC	-1		+1	%FS

Notes:

e. The accuracy specification applies over all operating conditions. This specification includes the combination of linearity, repeatability, and hysteresis errors over pressure, temperature, and voltage.

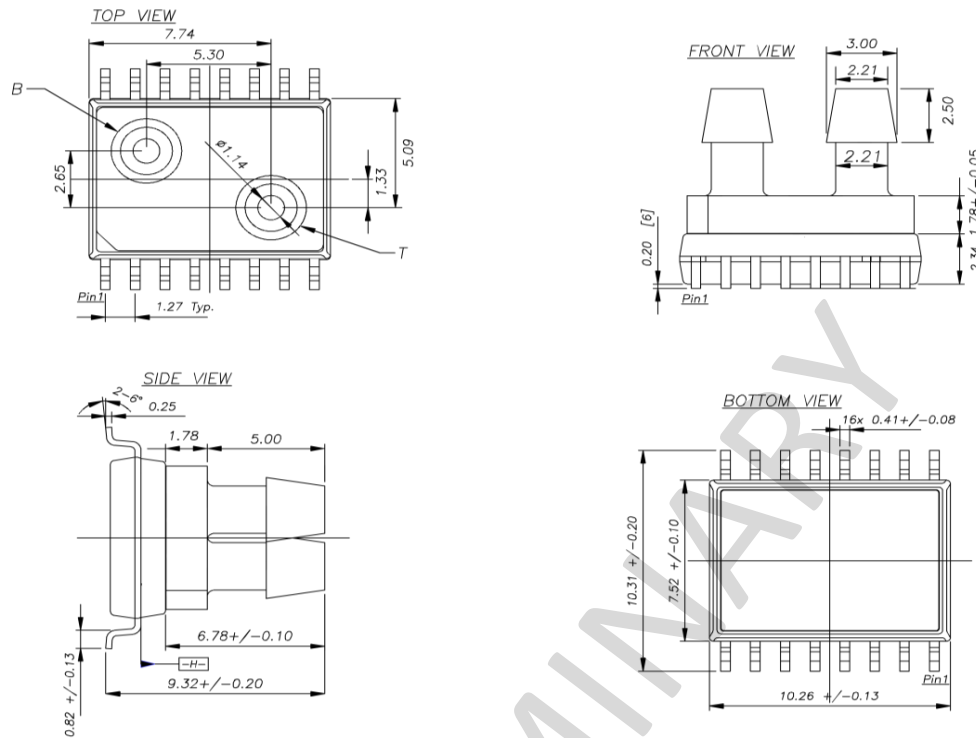
PRELIMINARY

Qualification Standards

- REACH Compliant
- RoHS Compliant
- PFOS/PFOA Compliant
- For qualification specifications, please contact Sales at sales@si-micro.com



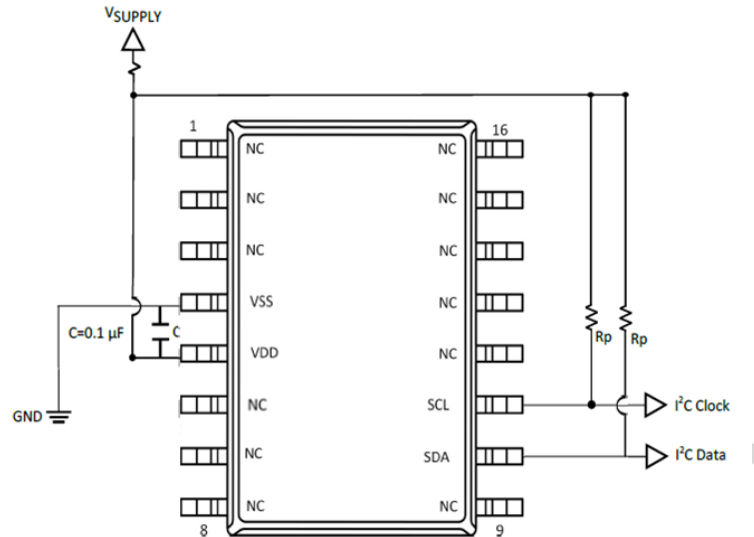
SOIC-16 Dual Vertical Package Dimensions



Notes:

- All dimensions in units of [mm]
- Moisture Sensitivity Level (MSL): Level 3
- Wetted materials: silicon, RTV (silicone), gold, aluminum, epoxy and mold compound.
- Tolerance on all dimensions ± 0.13 mm unless otherwise specified.
- [B] is tube connected to bottom side of sensor die.
- [T] is tube connected to top side of sensor die. Topside pressure is positive pressure. An increase in topside pressure will result in an increase in sensor output

SM6331 Applications Circuit



NOTES:

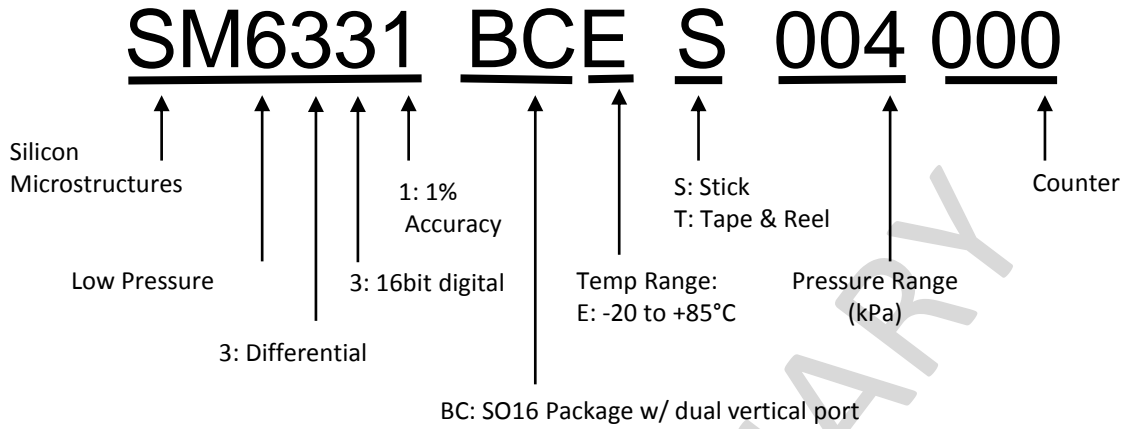
- The bypass capacitor C should be placed in close proximity to the device.

Package Labeling	
Pin No.	Pin Function
1	NC (No Connect)
2	NC
3	NC
4	VSS
5	VDD
6	NC
7	NC
8	NC
9	NC
10	SDA
11	SCL
12	NC
13	NC
14	NC
15	NC
16	NC

NOTES:

- Do not connect to NC pins

Part Number Legend



PRELIMINARY

Silicon Microstructures Warranty and Disclaimer:

Silicon Microstructures, Inc. reserves the right to make changes without further notice to any product herein and to amend the contents of this data sheet at any time and at its sole discretion.

Information in this document is provided solely to enable software and system implementers to use Silicon Microstructures, Inc. products and/or services. No express or implied copyright licenses are granted hereunder to design or fabricate any silicon-based microstructures based on the information in this document.

Silicon Microstructures, Inc. makes no warranty, representation, or guarantee regarding the suitability of its products for any particular purpose, nor does Silicon Microstructures, Inc. assume any liability arising out of the application or use of any product or silicon-based microstructure, and specifically disclaims any and all liability, including without limitation consequential or incidental damages. "Typical" parameters which may be provided in Silicon Microstructure's data sheets and/or specifications can and do vary in different applications and actual performance may vary over time. All operating parameters, including "Typicals", must be validated for each customer application by customer's technical experts. Silicon Microstructures, Inc. does not convey any license under its patent rights nor the rights of others. Silicon Microstructures, Inc. makes no representation that the circuits are free of patent infringement. Silicon Microstructures, Inc. products are not designed, intended, or authorized for use as components in systems intended for surgical implant into the body, or other applications intended to support or sustain life, or for any other application in which the failure of the Silicon Microstructures, Inc. product could create a situation where personal injury or death may occur. Should Buyer purchase or use Silicon Microstructures, Inc. products for any such unintended or unauthorized application, Buyer shall indemnify and hold Silicon Microstructures, Inc. and its officers, employees, subsidiaries, affiliates, and distributors harmless against all claims, costs, damages, and expenses, and reasonable attorney fees arising out of, directly or indirectly, any claim of personal injury or death associated with such unintended or unauthorized use, even if such claim alleges that Silicon Microstructures, Inc. was negligent regarding the design or manufacture of the part.

Silicon Microstructures, Inc. warrants goods of its manufacture as being free of defective materials and faulty workmanship. Silicon Microstructures, Inc. standard product warranty applies unless agreed to otherwise by Silicon Microstructures, Inc. in writing; please refer to your order acknowledgement or contact Silicon Microstructures, Inc. directly for specific warranty details. Warranty shall only apply to production released devices. If warranted goods are returned to Silicon Microstructures, Inc. during the period of coverage, Silicon Microstructures, Inc. will repair or replace, at its option, without charge those items it finds defective. The foregoing is buyer's sole remedy and is in lieu of all warranties, expressed or implied, including those of merchantability and fitness for a particular purpose. In no event shall Silicon Microstructures, Inc. be liable for consequential, special, or indirect damages.

While Silicon Microstructures, Inc. provides application assistance personally, through its literature and the Silicon Microstructures, Inc. website, it is up to the customer to determine the suitability of the product for its specific application. The information supplied by Silicon Microstructures, Inc. is believed to be accurate and reliable as of this printing. However, Silicon Microstructures, Inc. assumes no responsibility for its use. Silicon Microstructures, Inc. assumes no responsibility for any inaccuracies and/or errors in this publication and reserves the right to make changes without further notice to any products or specifications herein

Silicon Microstructures, Inc.™ and the Silicon Microstructures, Inc. logo are trademarks of Silicon Microstructures, Inc. All other service or product names are the property of their respective owners.
© Silicon Microstructures, Inc. 2001-2019. All rights reserved.