

KLP-563W

KLP-563W is a High Bright White LED with 3 InGaN LEDs.

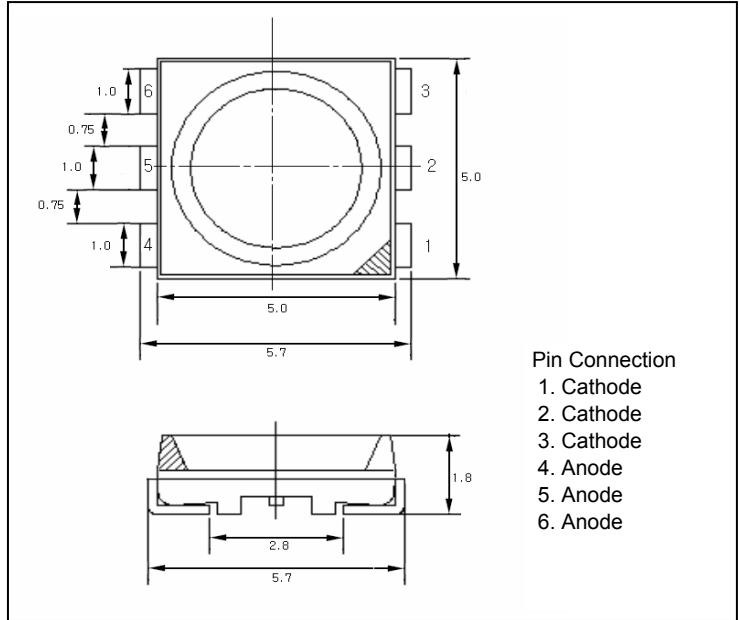
Features

- Epoxy Encapsulent mixed with Phospor
- High Optical Output

Applications

- Display
- Indicator
- Hand Phone Camera Flash
- Lighting

DIMENSIONS



Pin Connection
 1. Cathode
 2. Cathode
 3. Cathode
 4. Anode
 5. Anode
 6. Anode

Maximum Ratings

[Ta=25°C]

Parameter	Symbol	Ratings	Unit
Reverse Voltage	V_R	5	V
Forward current	I_F	90	mA
Pulse forward current *1	I_{FP}	0.3	A
Power dissipation	P_D	270	mW
Operating temperature	$T_{opr.}$	-30 ~ +85	°C
Storage temperature	$T_{stg.}$	-40 ~ +105	°C
Soldering Temperature *2	$T_{sol.}$	260	°C

*1. I_{FP} Measured under duty $\leq 1/10$ @ 1KHz

*2. Soldering time ≤ 5 Sec

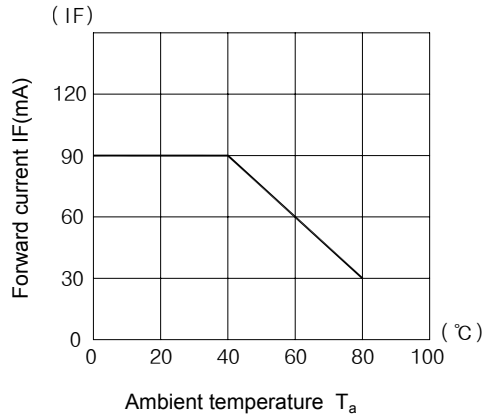
Electro-Optical Characteristics

[Ta=25°C]

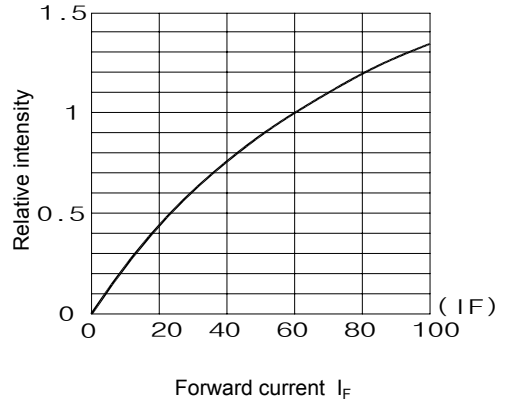
Parameter	Symbol	Conditions	Min	Typ	Max	Unit
Forward voltage	V_F	$I_F = 60$ mA	-	3.2	-	V
Reverse Current	I_R	$V_R = 5$ V	-	-	10.0	μ A
Optical Output Power	I_V	$I_F = 60$ mA	4.0	4.5	-	cd
Color Coordinate	x	$I_F = 60$ mA	0.28	-	0.32	
	y		0.29	-	0.34	
Half angle	$\Delta\theta$	$I_F = 60$ mA	-	110	-	deg.

KLP-563W

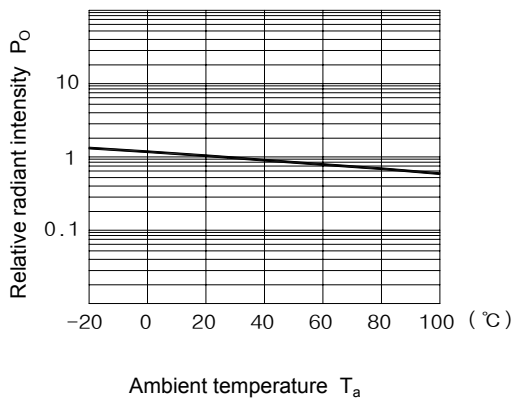
Forward current vs. Ambient temperature



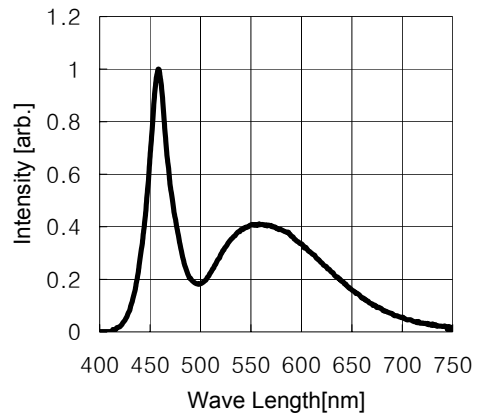
Radiant Intensity vs. Forward current



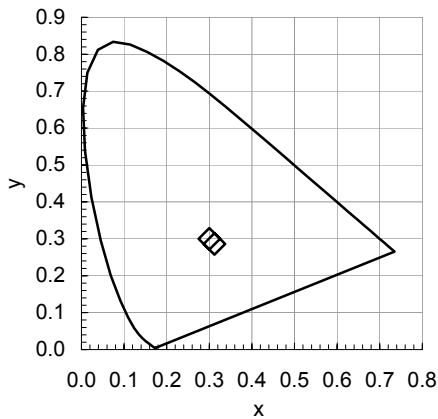
Relative radiant intensity vs. Ambient temperature



Relative intensity vs. Wavelength



Color Coordinate



Radiant Pattern

