

NVS-140

Rugged IP Video Recorder with PoE Switch

Preliminary



Features

- Embedded PoE Switch up to 4 channels
- 10/100/1000Base-T uplink port
- HDMI display output
- mini-PCIe full size card supported
- -20 ~ 85° C wide range operation temperature
- IP66 sealed enclosure with self-sealing gasket resists water, oil & fuel
- Optional finned convection or base-plate conduction heat transfer kits

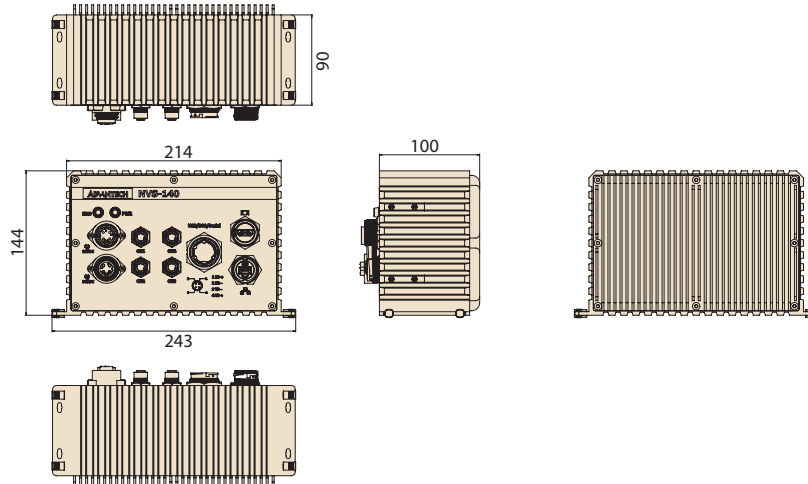
Specifications

Model	Part Number	NVS-140RP-SE10E	NVS-140RP-SE20E	
System	Processor	TI TMS320DM8148		
	Memory	2GB DDR3-800		
	Storage	SATA-II 2.5" HDD bracket x 1 On board 4GB INAND flash micro-SD socket x 1		
Front Panel	I/O	USB 2.0 / DIO / Serial	1 (circular type connector with 31 contacts)	
		PoE port (receptacle)	4 (M12 D-code connector with 4 contacts)	
		HDMI	1 (circular type connector)	
		GbE Uplink	1 (circular type RJ45 connector)	
	Power input	System (12V _{DC})	1 (circular type power connector with 2 contacts)	
		PoE (54V _{DC})	1 (circular type power connector with 3 contacts)	
	Indicators	System Power	1 (red LED)	
HDD status		1 (green LED)		
Physical Characteristics	Heat transfer kit	Finned convection	Base-plate conduction	
	Gasket	Material	Highly versatile, medium firmness and self-sealing silicone	
		Test method	ASTM / UL94,V-0,HF-1	
Dimensions	w/o Handle	W243 x L100 x H144 mm	W243 x L93.5 x H179 mm	
Power Management	Input	System	12 V _{DC} --- 7A	
		PoE (optional)	54 V _{DC} --- 1.67A	
Environment	Temperature	Operation	-20° C to 85° C	
		Storage	-40° C to 95° C	
	Humidity	Operation	20% to 90 % RH	
		Storage	5% to 95 % RH	
Certification	EMI/EMC	FCC Class A, CE		
	Safety	UL/cUL, CB, CCC		
	IP rating	IP66		

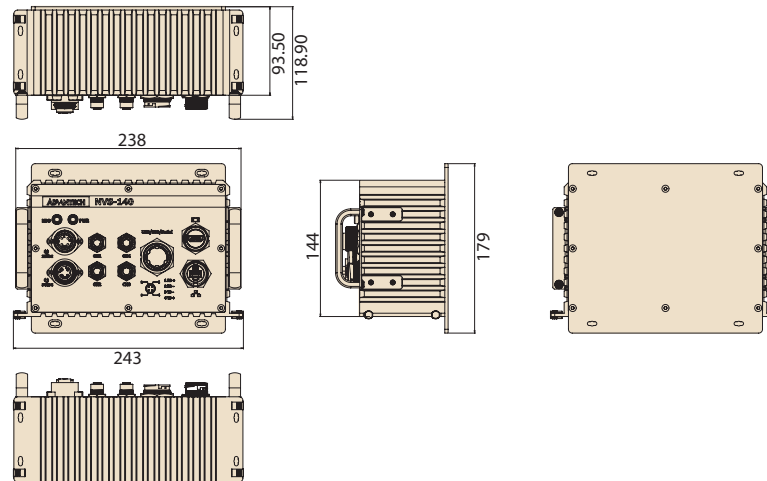
Dimensions

Unit: mm

NVS-140RP-SE10E



NVS-140RP-SE20E



Ordering Information

Part Number	Product Description	PoE Ports	Heat transfer
NVS-140RP-SE10E	Rugged IP Video Recorder with PoE Switch	4	Finned convection cooled
NVS-140RP-SE20E	Rugged IP Video Recorder with PoE Switch	4	Base-plate conduction cooled

Note: 12V_{DC} power adapter XVSD-9NA0840515 for system power is included.

Optional Accessories

Part Number	Product Description
XVSD-9NA0905903	54Vdc/1.67A power adapter for PoE functionality
1700024252-01	Overmolded with cable (Cat-5e), M12 D-code, 4 contacts, RJ45 receptacle at the end
1700024253-01	Overmolded with cable (Cat-5e), Circuit type RJ45, RJ45 receptacle at the end
1700024249-01	Overmolded with cable, Circuit type, 31 contacts,
1700024251-01	Overmolded with cable, Circuit type HDMI, HDMI plug at the end
DVSP-100CV-0000E	HDMI to TV-out (composite) converter