



**SURFACE MOUNT
SCHOTTKY BARRIER RECTIFIERS**

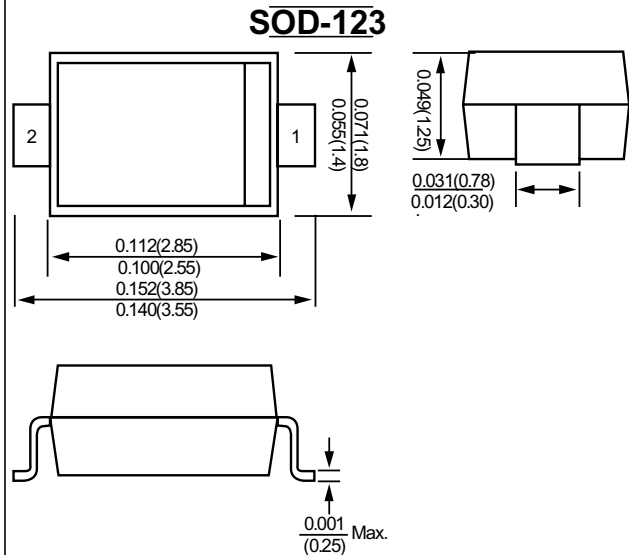
REVERSE VOLTAGE - 40 to 60 Volts
FORWARD CURRENT - 1.0 Ampere

FEATURES

- Low profile package
- Metal-Semiconductor junction with guardring
- Epitaxial construction
- Very Low forward voltage drop
- High current capability
- Plastic material has UL flammability classification 94V-0

MECHANICAL DATA

- Case : Molded plastic
- Polarity :Color band denotes cathode.
- Weight: 0.01 grams (approximate)



MAXIMUM RATINGS AND ELECTRICAL CHARACTERISTICS

Ratings at 25°C ambient temperature unless otherwise specified.
Single phase, half wave, 60Hz, resistive or inductive load.
For capacitive load, derate current by 20%

CHARACTERISTICS	SYMBOL	CSRB140	CSRB160	UNIT
Maximum Recurrent Peak Reverse Voltage	V _{RRM}	40	60	V
Maximum RMS Voltage	V _{RMS}	28	42	V
Maximum DC Blocking Voltage	V _{DC}	40	60	V
Maximum Average Forward Rectified Current	I _F	1.0		A
Peak Forward Surge Current 8.3ms single half sine-wave super imposed on rated load (JEDEC METHOD)	I _{FSM}	5		A
Maximum forward Voltage at 1.0A DC	V _F	0.52	0.65	V
Maximum DC Reverse Current at Rated DC Blocking Voltage @TA=25°C	I _R	0.2	0.1	mA
Typical Junction Capacitance (Note 1)	C _J	120	60	pF
Operating Temperature Range	T _J	-55 to +125		°C
Storage Temperature Range	T _{STG}	-55 to +150		°C

NOTES : 1.Measured at 1.0MHz and applied reverse voltage of 4.0V DC.



RATINGS AND CHARACTERISTIC CURVES

FIG. 1-TYPICAL FORWARD CURRENT DERATING CURVE

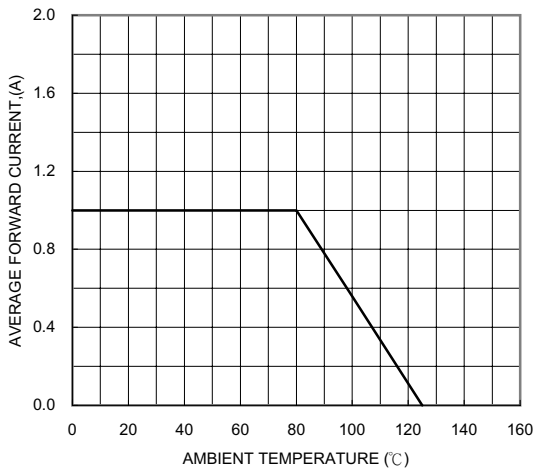


FIG. 2-TYPICAL FORWARD CHARACTERISTICS

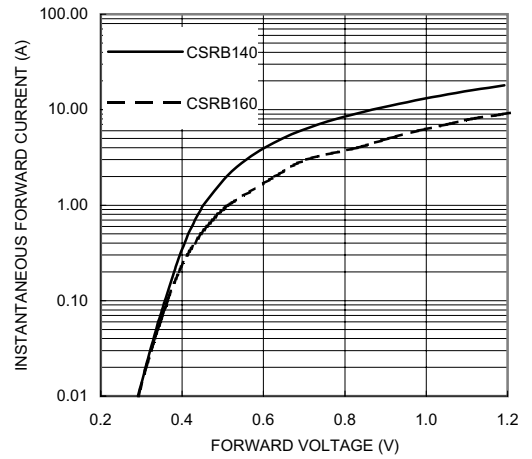


FIG. 3-MAXIMUM NON-REPETITIVE FORWARD SURGE CURRENT

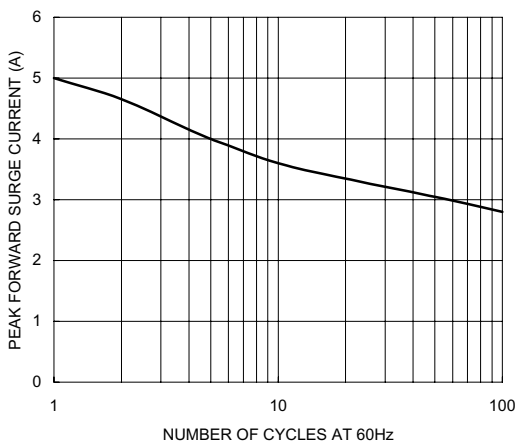


FIG. 4-TYPICAL REVERSE CHARACTERISTICS

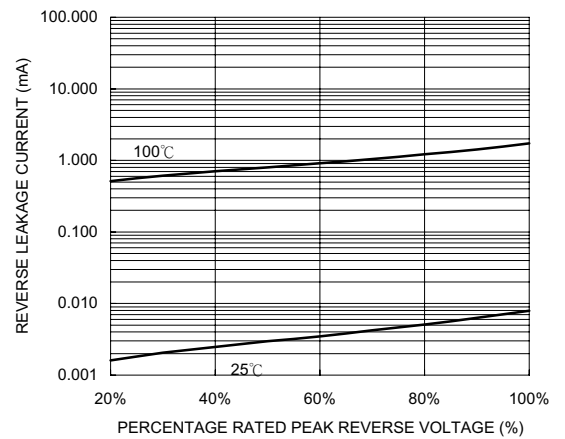


FIG. 5-TYPICAL JUNCTION CAPACITANCE

