
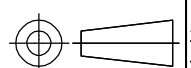


THIS DRAWING IS UNPUBLISHED. RELEASED FOR PUBLICATION
 © COPYRIGHT - BY TYCO ELECTRONICS CORPORATION. ALL RIGHTS RESERVED.

LOC	DIST	REVISIONS					
CE	00	P	LTR	DESCRIPTION	DATE	DWN	APVD
			L	ECR-05-015022	21DEC05	KG	DK

△ P/N 228433-6 CONTAINS 2 SHEETS OF EACH OF THE FOLLOWING TYPES:
 0.3um ALUMINUM OXIDE, 8.5 x 11
 1um ALUMINUM OXIDE, 8.5 x 11
 5um SILICON CARBIDE, 8.5 x 11
 15um SILICON CARBIDE, 8.5 x 11

OBSOLETE	10	5um SILICON CARBIDE, 5.5 x 8.5	1-228433-6
OBSOLETE	10	0.3um ALUMINUM OXIDE, 5.5 x 8.5	1-228433-5
OBSOLETE	2	15um SILICON CARBIDE, 8.5 x 11	1-228433-4
OBSOLETE	100	1um ALUMINUM OXIDE, 8.5 x 11	1-228433-3
OBSOLETE	10	15um SILICON CARBIDE, 4.5 x 11	1-228433-2
OBSOLETE	10	5um SILICON CARBIDE, 4.5 x 11	1-228433-1
OBSOLETE	10	1um SILICON CARBIDE, 4.5 x 11	1-228433-0
	100	15um SILICON CARBIDE, 8.5 x 11	228433-9
	100	5um SILICON CARBIDE, 8.5 x 11	228433-8
	100	1um ALUMINUM OXIDE, 8.5 x 11	228433-7
OBSOLETE	8	△	228433-6
	100	0.3um ALUMINUM OXIDE, 9 x 11	228433-5
SUPERCEDED BY 228433-7	10	1um ALUMINUM OXIDE, 9 x 11	228433-4
SUPERCEDED BY 228433-8	10	5um SILICON CARBIDE, 9 x 11	228433-3
SUPERCEDED BY 228433-9	10	15um SILICON CARBIDE, 9 x 11	228433-2
	MINIMUM ORDER QUANTITY	GRIT GRADE AND TYPE	PART NO

THIS DRAWING IS A CONTROLLED DOCUMENT.		DWN K. GLATFELTER 14DEC2005	 Tyco Electronics Corporation Harrisburg, PA 17105-3608	
DIMENSIONS: mm		CHK D. KIRSCH 20DEC2005		
		APVD D. KIRSCH 20DEC2005	NAME LAPPING FILM, OPTIMATE	
TOLERANCES UNLESS OTHERWISE SPECIFIED:		PRODUCT SPEC	-	
0 PLC ± -		APPLICATION SPEC	-	
1 PLC ± -		WEIGHT	-	
2 PLC ± -		SIZE	A3	
3 PLC ± -		CAGE CODE	00779	
4 PLC ± -		DRAWING NO	C-228433	
ANGLES ± -		RESTRICTED TO	-	
FINISH		CUSTOMER DRAWING		
-		SCALE	NTS	
		SHEET	1 OF 1	
		REV	L	