

PLEASE CHECK WWW.MOLEX.COM FOR LATEST PART INFORMATION

Part Number: [0533093270](#)
Status: **Active**
Description: 0.80mm (.031") Pitch Board-to-Board Header, Surface Mount, Dual Row, Right Angle, Lead-free, 32 Circuits

Documents:

[3D Model](#) [Product Specification PS-52588-031 \(PDF\)](#)
[Drawing \(PDF\)](#) [RoHS Certificate of Compliance \(PDF\)](#)
[Product Specification PS-52465-014 \(PDF\)](#)

General

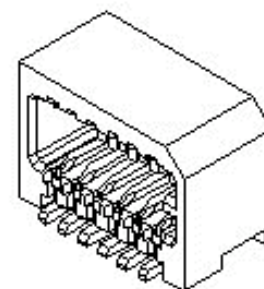
Product Family PCB Headers
 Series [53309](#)
 Application Board-to-Board
 Product Name N/A

Physical

Breakaway No
 Circuits (Loaded) 32
 Circuits (maximum) 32
 Color - Resin Natural
 Durability (mating cycles max) 30
 First Mate / Last Break No
 Glow-Wire Compliant No
 Guide to Mating Part No
 Keying to Mating Part None
 Lock to Mating Part Yes
 Mated Height (in) 0.222 In
 Mated Height (mm) 5.65 mm
 Material - Metal Phosphor Bronze
 Material - Plating Mating Tin
 Material - Plating Termination Tin
 Material - Resin High Temperature Thermoplastic
 Number of Rows 2
 Orientation Right Angle
 PC Tail Length (in) 0.016 In
 PC Tail Length (in) 0.020 In
 PC Tail Length (mm) 0.40 mm
 PC Tail Length (mm) 0.50 mm
 PCB Locator No
 PCB Retention None
 Packaging Type Embossed Tape on Reel
 Pitch - Mating Interface (in) 0.031 In
 Pitch - Mating Interface (mm) 0.80 mm
 Plating min: Mating (µin) 40
 Plating min: Mating (µm) 1
 Plating min: Termination (µin) 40
 Plating min: Termination (µm) 1
 Polarized to PCB No
 Shrouded Fully
 Stackable No
 Temperature Range - Operating -20°C to +105°C
 Termination Interface: Style Surface Mount

Electrical

Current - Maximum 0.5A
 Voltage - Maximum 50V



Series image - Reference only

EU RoHS

**ELV and RoHS
 Compliant**
REACH SVHC
 Not Reviewed
**Halogen-Free
 Status**

China RoHS



**Need more information on product
 environmental compliance?**

Email productcompliance@molex.com
 Please visit the [Contact Us](#) section for any non-product compliance questions.

Search Parts in this Series

[53309](#) Series

Mates With

[52465](#) Board-to-Board Receptacle

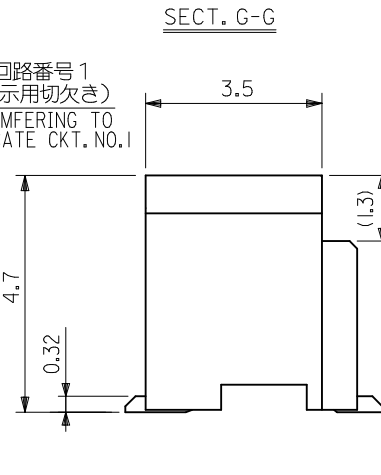
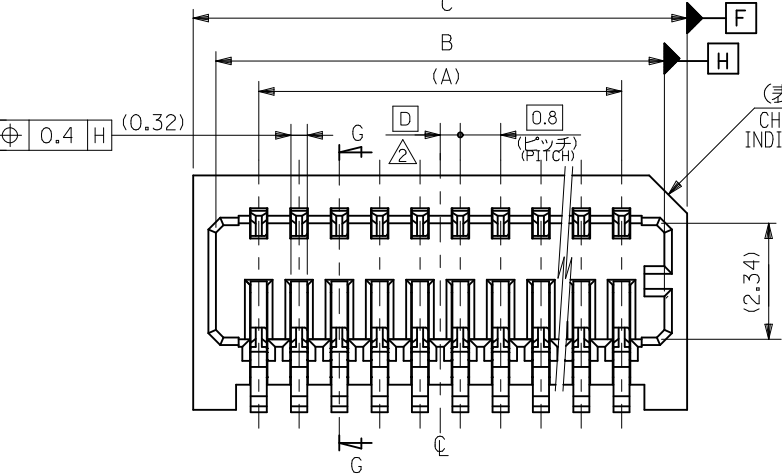
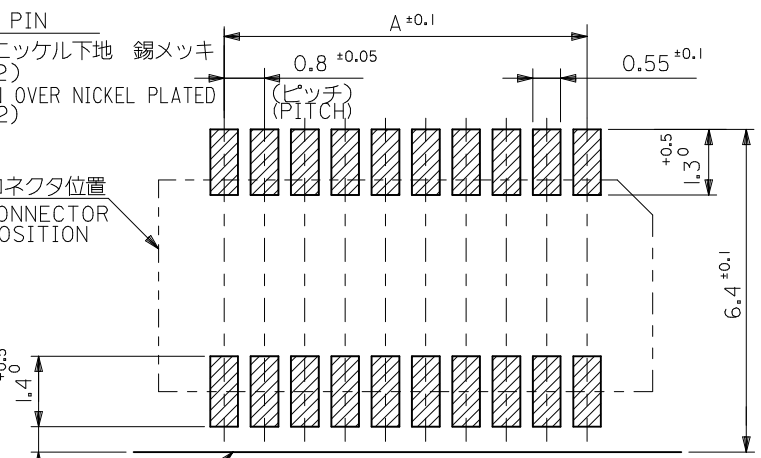
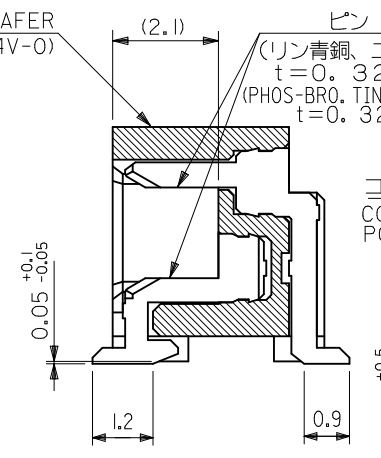
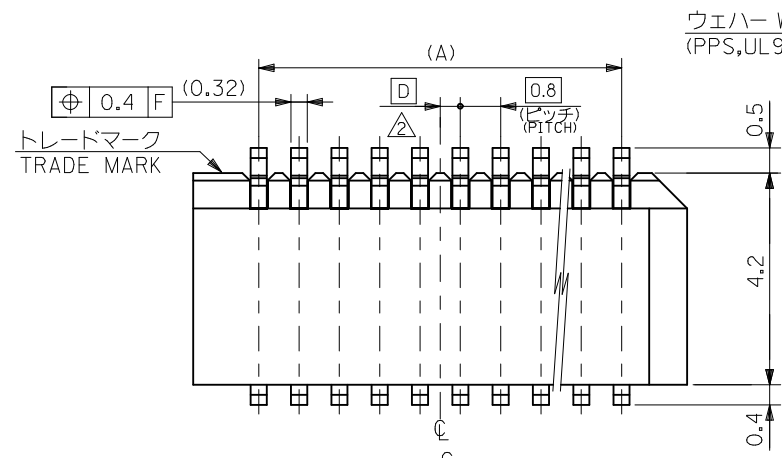
Material Info

Reference - Drawing Numbers

Product Specification	PS-52465-014
Product Specification	PS-52588-031
Product Specification	RPS-52465-042
Product Specification	RPS-52465-047
Product Specification	RPS-52465-049
Product Specification	RPS-52588-040
Product Specification	RPS-52588-041
Sales Drawing	SD-53309-011
Sales Drawing	SD-53309-012

This document was generated on 11/05/2009

PLEASE CHECK WWW.MOLEX.COM FOR LATEST PART INFORMATION

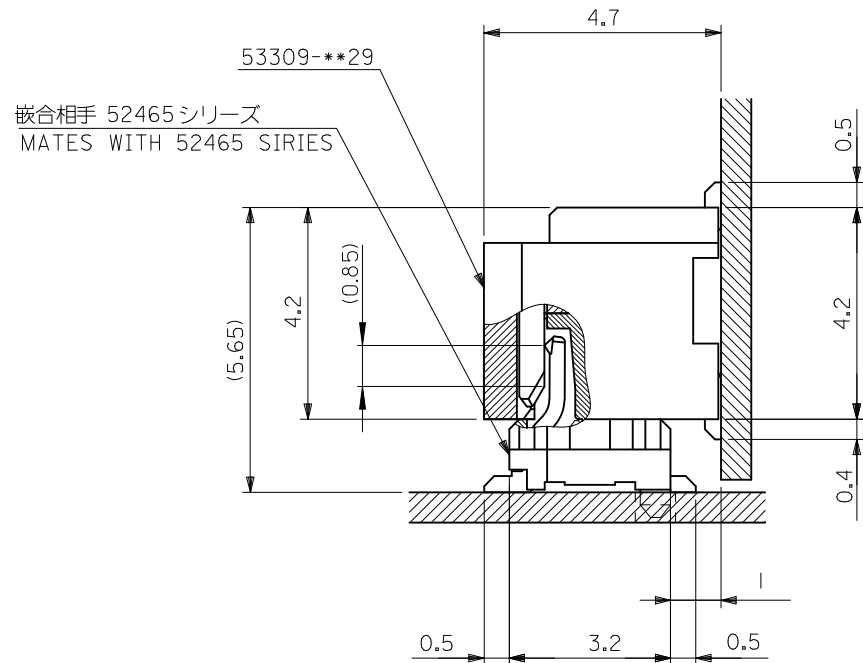


0.4	17.8	16.9	15.2	53309-4029	40	
0.8	17.0	16.1	14.4	-3829	38	
0.4	16.2	15.3	13.6	-3629	36	
0.8	15.4	14.5	12.8	-3429	34	
0.4	14.6	13.7	12.0	-3229	32	
0.8	13.8	12.9	11.2	-3029	30	
0.4	13.0	12.1	10.4	-2829	28	
0.8	12.2	11.3	9.6	-2629	26	
0.4	11.4	10.5	8.8	-2429	24	
0.8	10.6	9.7	8.0	-2229	22	
0.4	9.8	8.9	7.2	-2029	20	
0.8	9.0	8.1	6.4	-1829	18	
0.4	8.2	7.3	5.6	-1629	16	
0.8	7.4	6.5	4.8	-1429	14	
0.4	6.6	5.7	4.0	-1229	12	
53309-**29	0.8	5.8	4.9	3.2	53309-1029	10
MODEL NO.	D	C	B	A	MATERIAL NO.	極数 CKT.

注記 NOTES

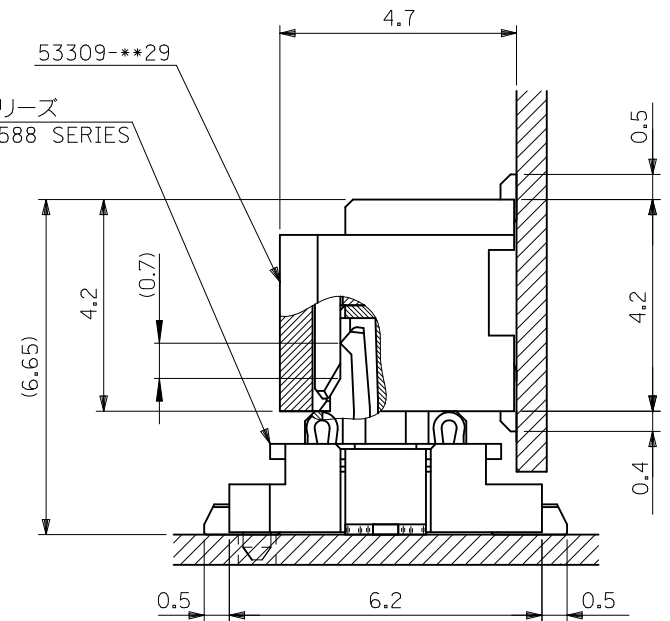
1. 嵌合相手: 52465,52588 シリーズ
MATE WITH : 52465,52588 SERIES
2. ウェハーの C から隣接するピンの C 迄の位置を示す。
SHOW POSITION FROM C OF WAFER TO C OF ADJACENT PINS.
3. 本製品は 53309-**27 の鉛フリー品である。
THIS PRODUCT IS LEAD FREE OF 53309-**27

REVISED EC NO: J2010-1285 DRWN: YON002 2009/12/17 CHKD: SMARUYAMA 2009/12/17 APPR: SMARUYAMA 2009/12/17	GENERAL TOLERANCES (UNLESS SPECIFIED)		DIMENSION STYLE MM ONLY		SCALE ---	DESIGN UNITS METRIC	THIRD ANGLE PROJECTION
	10 UNDER	±0.2	DRAWN BY M. NINOMIYA	DATE 2004/03/10	TITLE 0.8 B/B CONN.WAFER ASS'Y R/A SMT(WITHOUT BOSS)		
	10 OVER 30 UNDER	±0.25	CHECKED BY K. TOJO	DATE 2004/03/10	MOLEX INCORPORATED		
	30 OVER	±0.3	APPROVED BY M. SASAO	DATE 2004/03/10	DOCUMENT NO. SD-53309-011		
REV	DESCRIPTION	ANGULAR ±3 °	DRAFT WHERE APPLICABLE MUST REMAIN WITHIN DIMENSIONS		SEE TABLE		SHEET NO. 1 OF 2
SIZE A3				THIS DRAWING CONTAINS INFORMATION THAT IS PROPRIETARY TO MOLEX INCORPORATED AND SHOULD NOT BE USED WITHOUT WRITTEN PERMISSION			



嵌合相手 52465シリーズ
MATES WITH 52465 SERIES

嵌合状態図 (参考)
MATED DRAWING(REF.)

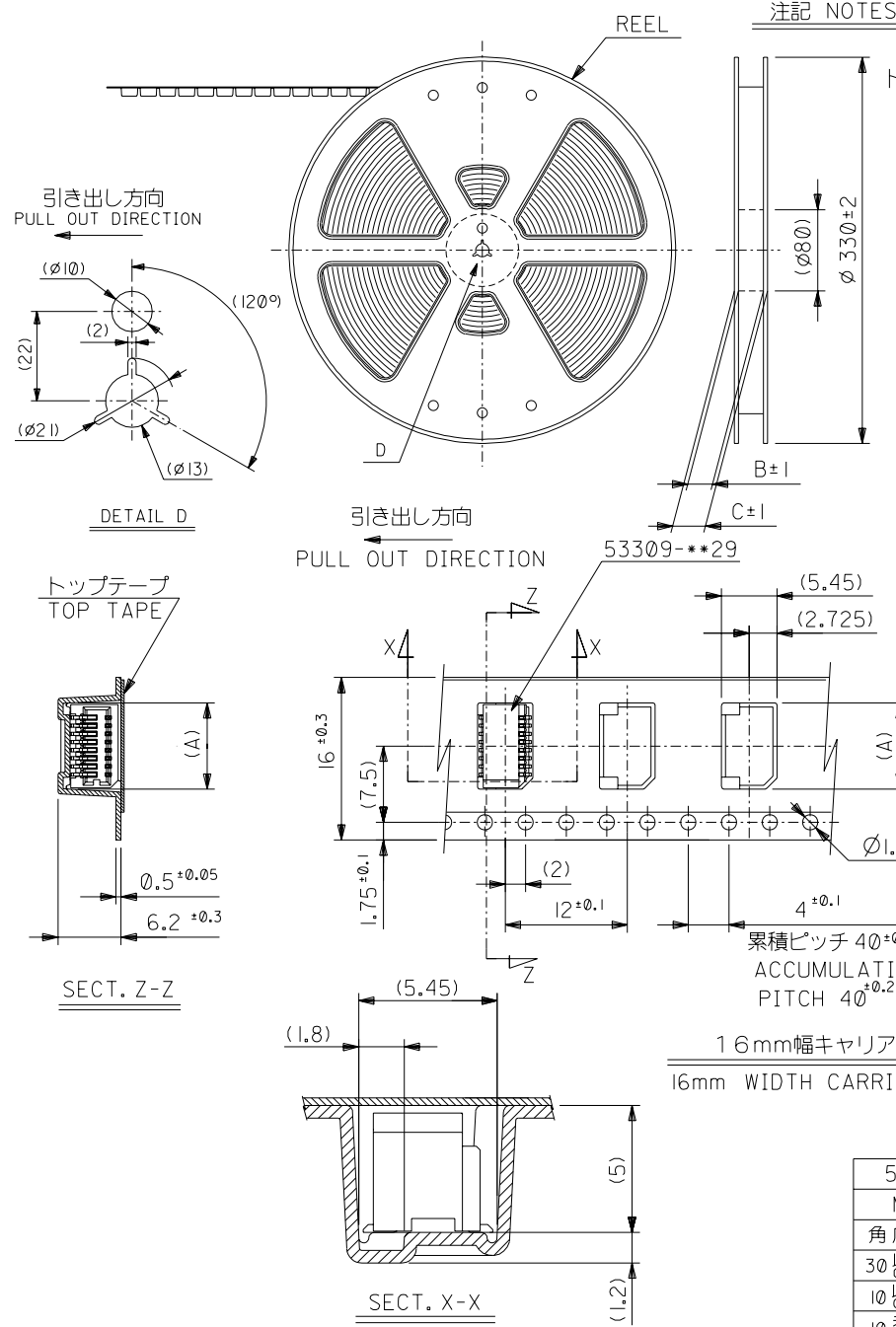


嵌合相手 52588シリーズ
MATES WITH 52588 SERIES

嵌合状態図 (参考)
MATED DRAWING(REF.)

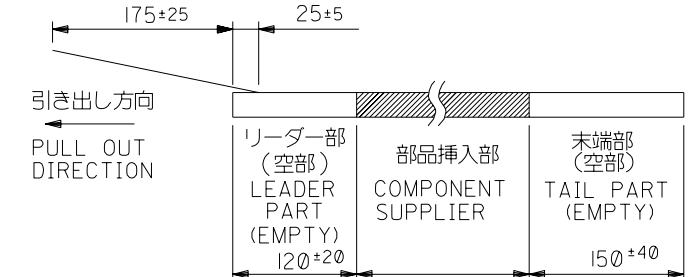
REVISED EC NO: J2010-1285 DRWN: YON002 CHK'D: SMARUYAMA APPR: SMARUYAMA	2009/12/17 2009/12/17 2009/12/17	GENERAL TOLERANCES (UNLESS SPECIFIED)		DIMENSION STYLE MM ONLY		SCALE ---	DESIGN UNITS METRIC	THIRD ANGLE PROJECTION		
		10 UNDER	±0.2	DRAWN BY M. NINOMIYA	DATE 2004/03/10	TITLE 0.8 B/B CONN. WAFER ASS'Y R/A SMT(WITHOUT BOSS)				
		10 OVER 30 UNDER	±0.25	CHECKED BY K. TOJO	DATE 2004/03/10	MOLEX INCORPORATED				
		30 OVER	±0.3	APPROVED BY M. SASAO	DATE 2004/03/10	MATERIAL NO. SEE SHEET 1		DOCUMENT NO. SD-53309-011		SHEET NO. 2 OF 2
ANGULAR ±3 °		DRAFT WHERE APPLICABLE MUST REMAIN WITHIN DIMENSIONS		THIS DRAWING CONTAINS INFORMATION THAT IS PROPRIETARY TO MOLEX INCORPORATED AND SHOULD NOT BE USED WITHOUT WRITTEN PERMISSION						

DWG. NO.
SD-53309-012

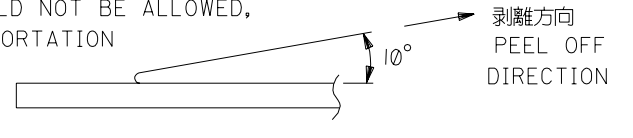


注記 NOTES

- 梱包数量：1000個/リール NUMBER OF CONNECTORS:1000PCS/REEL
- リードテープ長さ LEAD TAPE LENGTH



- トップテープの剥離強度：(剥離方向は下図参照)
0.1N~1.3N{10gf~130gf}尚、本規格値は、出荷時に適用。
(但し、輸送時に剥離が発生しない事。)
PEELING OFF FORCE OF TOP TAPE
0.1N~1.3N{10gf~130gf} (PEELING DIRECTION AS SHOWN IN FOLLOWING FIG.)
THIS REQUIREMENT SHOULD BE APPLIED AT SHIPMENT
PEEL OFF SHOULD NOT BE ALLOWED,
DURING TRANSPORTATION



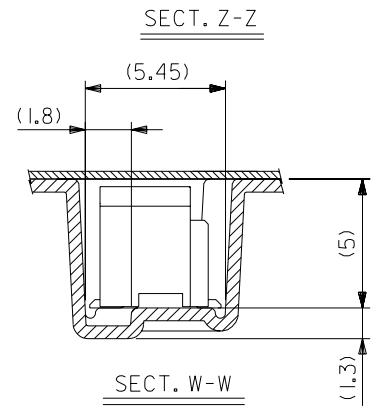
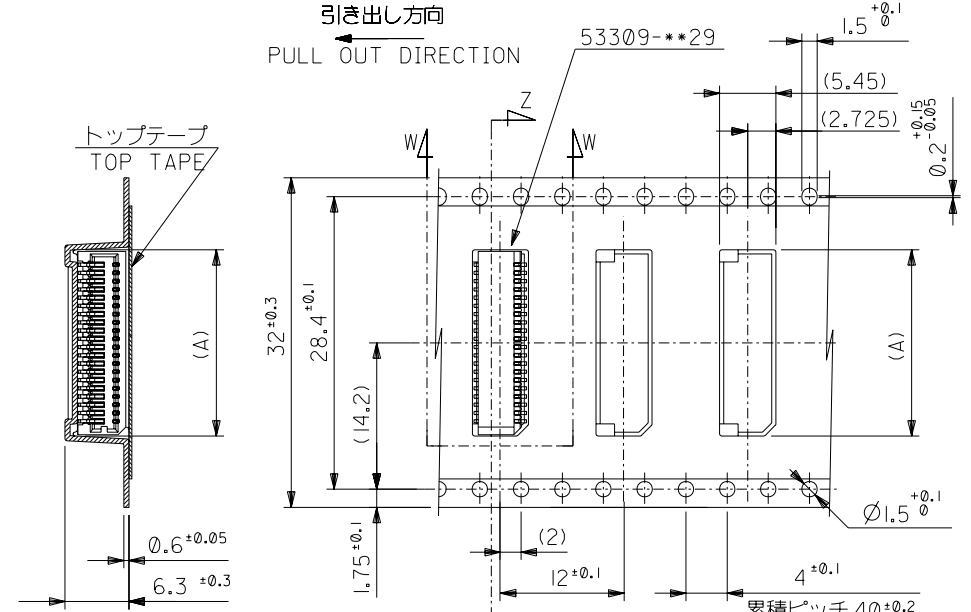
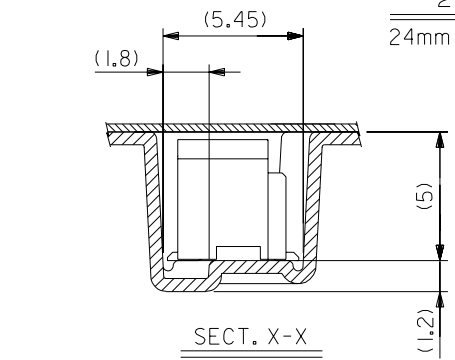
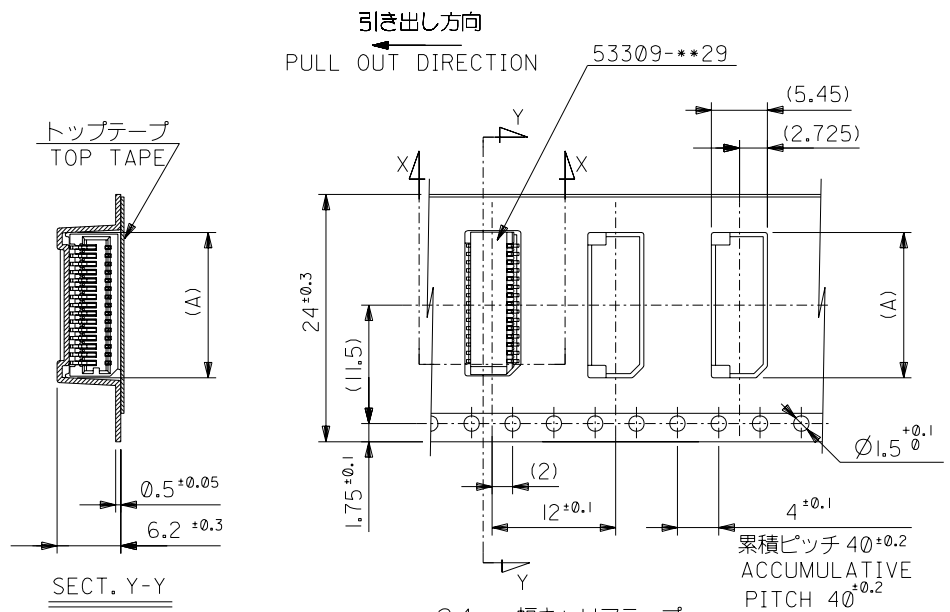
- 材料
キャリアテープ：ポリプロピレン (PP)
トップテープ：PET, PE, PEF
リール：ポリスチレン (PS)
MATERIAL
<リサイクル材を含む>

5. 本製品は 53309-**91 の鉛フリー品である。
THIS PRODUCT IS LEAD FREE OF 53309-**91.

CARRIER TAPE:POLYPROPYLENE
TOP TAPE:PET,PE,PEF
REEL:POLYSTYRENE(PS)
<RECYCLE MATERIAL CONTAINED>

16	21.4	17.4	9.3	53309-1870	18
			8.5	53309-1670	16
			7.7	53309-1470	14
			6.9	53309-1270	12
			6.1	53309-1070	10
キャリアテープ幅 CARRIER TAPE WIDTH	C	B	(A)	MATERIAL NO.	極数 CIRCUIT

53309-**70		材料 MATERIAL		注記参照 SEE NOTES		MATERIAL NO.	
MODEL NO.		仕上げ FINISH		—		REVISE ONLY ON CAD SYSTEM	
角度 ANGLE		適用電線範囲 WIRE RANGE		—		TITLE 名称	
30以上 OVER		被覆外径 INS. RANGE		—		0.8 BtB Conn Wafer Assy	
10以上 OVER 30 UNDER		DRAWN BY '04/03/10		CHK'D BY '04/03/10		RA SMT Without Boss	
未満 10 UNDER		M.N. M.NINOMIYA		K.TOJO		Embstp Pkg	
—		DR. M.SASAO		—		—LEAD FREE-	
一般公差 GENERAL TOLERANCES		記号 LTR		変更内容 REVISION RECORD		DWG. NO. (SHEET 1 OF 2)	
		DR. CHK.		日付 DATE		SD-53309-012	
		APP'D BY '04/03/10		尺度 SCALE		REV	
		M.SASAO		—		0	



24mm幅キャリアテープ
24mm WIDTH CARRIER TAPE

32mm幅キャリアテープ
32mm WIDTH CARRIER TAPE

24	29.4	25.4	16.5	53309-3670	36
			15.7	53309-3470	34
			14.9	53309-3270	32
			14.1	53309-3070	30
			13.3	53309-2870	28
			12.5	53309-2670	26
			11.7	53309-2470	24
			10.9	53309-2270	22
			10.1	53309-2070	20
キャリアテープ幅 CARRIER TAPE WIDTH	C	B	(A)	MATERIAL NO.	極数 CIRCUIT

53309-***70					
MODEL NO.					
角度 ANGLE	±3°				
30以上 OVER	+0.3				
10以上 30未満 UNDER	+0.25				
10未満 UNDER	+0.2				
一般公差 GENERAL TOLERANCES		記号 LTR	新規作成 RELEASED (J2004-2995)	M.N. K.T.	04/03/10
			変更内容 REVISION RECORD	日付 DATE	
				DR. CHK.	日付 DATE

32	37.4	33.4	18.1	53309-4070	40
			17.3	53309-3870	38
キャリアテープ幅 CARRIER TAPE WIDTH	C	B	(A)	MATERIAL NO.	極数 CIRCUIT

材料 MATERIAL
SHEET 1 OF 2 参照 REFER TO SHEET 1 OF 2

仕上げ FINISH —

適用電線範囲 WIRE RANGE —

被覆外径 INS. RANGE —

DRAWN BY 04/03/10 M.NINOMIYA
CHK'D BY 04/03/10 K.TOJO

APP'D BY 04/03/10 M.SASAO

材料 M.OLEX

MOLEX-JAPAN CO.,LTD.
日本モレックス株式会社

REVISE ONLY ON CAD SYSTEM

TITLE 名称
0.8 BtB Wafer Assy
RA SMT Without Boss
Embstp Pkg
-LEAD FREE-

DWG. NO. (SHEET 2 OF 2) REV
SD-53309-012 0