

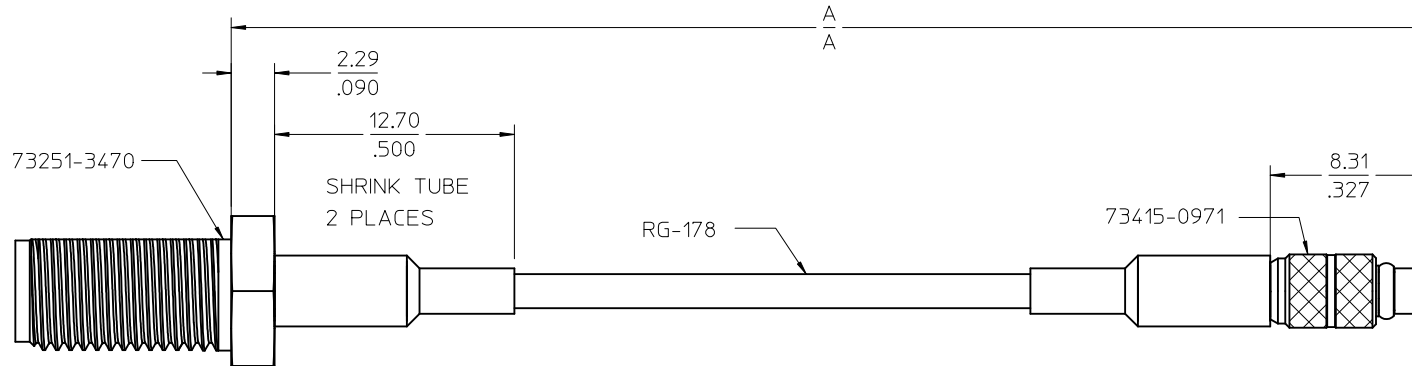
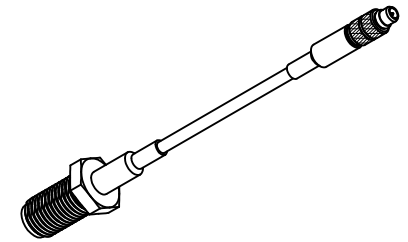
MATERIALS AND FINISHES

SMA JACK: SEE SD-73251-347

MMCX PLUG: SEE SD-73415-097

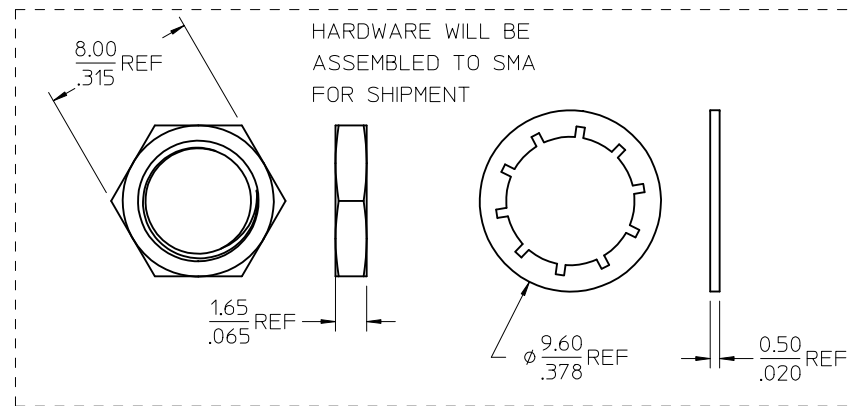
CABLE: RG178

SHRINK TUBE: VERSAFIT



CABLES WILL BE INDIVIDUALLY BAGGED

BAG LABEL:
MOLEX P/N
DATE CODE



89761-6803	2.779±.157	70.60±4.00
89761-6802	18.0±.35	457.2±8.89
89761-6801	12.0±.25	304.8±6.35
89761-6800	6.00±.25	152.4±6.35
PART NO.	IN	MM
A		

CECC-22-340	INTERFACE MMCX
MIL-STD-348A, FIG. 310.2	INTERFACE SMA
SPECIFICATION	DESCRIPTION

CHG: ADD PART NO. EWR RF10-079 EC NO: URF2010-0340 DRAWN: CHENG CHKD: APPR: MHIANG A2	QUALITY SYMBOLS ▽=0 ▽=0	GENERAL TOLERANCES (UNLESS SPECIFIED) <table border="1"> <tr> <th></th> <th>mm</th> <th>INCH</th> </tr> <tr> <td>4 PLACES</td> <td>± .005</td> <td>± .0002</td> </tr> <tr> <td>3 PLACES</td> <td>± .005</td> <td>± .0002</td> </tr> <tr> <td>2 PLACES</td> <td>± .005</td> <td>± .0002</td> </tr> <tr> <td>1 PLACE</td> <td>± .005</td> <td>± .0002</td> </tr> </table> ANGULAR ± 2°		mm	INCH	4 PLACES	± .005	± .0002	3 PLACES	± .005	± .0002	2 PLACES	± .005	± .0002	1 PLACE	± .005	± .0002	DIMENSION STYLE MM/IN	SCALE DESIGN UNITS METRIC	THIRD ANGLE PROJECTION
				mm	INCH															
4 PLACES	± .005	± .0002																		
3 PLACES	± .005	± .0002																		
2 PLACES	± .005	± .0002																		
1 PLACE	± .005	± .0002																		
DRAWN BY AZR DATE 2009/01/08	CHECKED BY SSS DATE 2009/01/08	APPROVED BY JDW DATE 2009/01/08	TITLE SMA JACK BLKHD TO MMCX PLUG STR ON RG178 CA-MMCX/SMA																	
DRAFT WHERE APPLICABLE MUST REMAIN WITHIN DIMENSIONS			MATERIAL NO. SEE TABLE	DOCUMENT NO. SD-89761-680	SHEET NO. 1 OF 1															
THIS DRAWING CONTAINS INFORMATION THAT IS PROPRIETARY TO MOLEX INCORPORATED AND SHOULD NOT BE USED WITHOUT WRITTEN PERMISSION																				