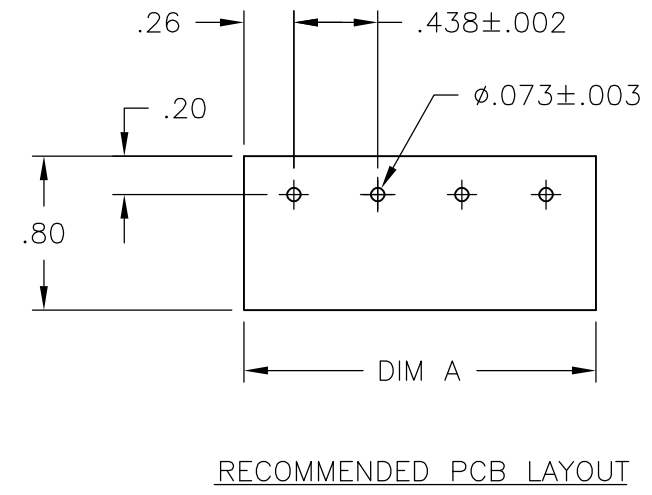
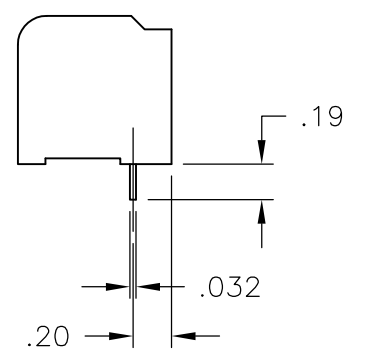
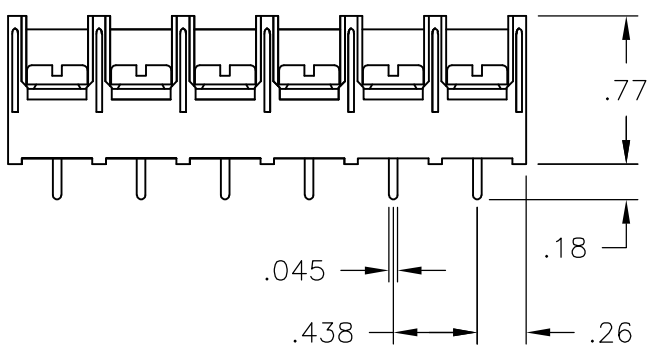
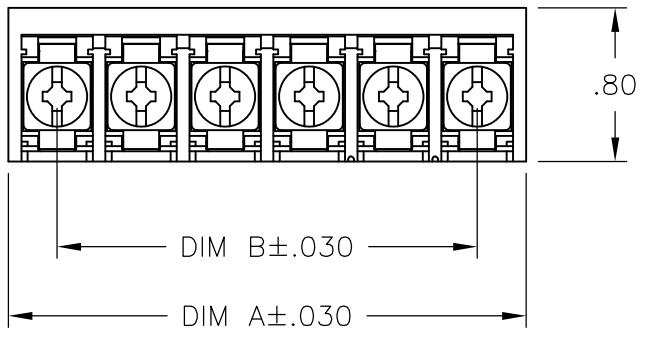


THIS DRAWING IS UNPUBLISHED. RELEASED FOR PUBLICATION  
 © COPYRIGHT - By - ALL RIGHTS RESERVED.

| LOC | DIST | REVISIONS |     |                           |         |     |      |
|-----|------|-----------|-----|---------------------------|---------|-----|------|
|     |      | P         | LTR | DESCRIPTION               | DATE    | DWN | APVD |
| -   | -    |           | K4  | REVISED PER ECO-11-004587 | 11MAR11 | RK  | HMR  |

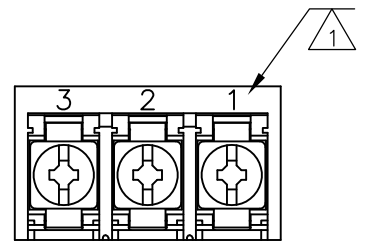


MATERIALS:  
 HOUSING: THERMOPLASTIC, UL94V-0, BLACK.  
 TERMINAL: BRIGHT TIN PLATED COPPER ALLOY.  
 SCREWS: 8-32 ZINC PLATED STEEL.

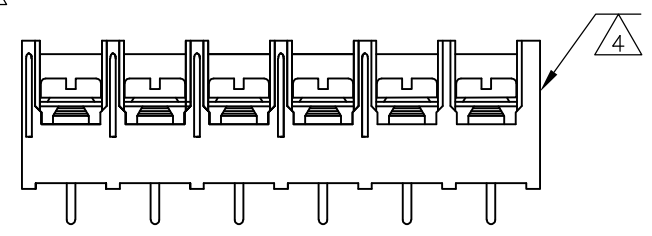
ELECTRICAL:  
 CURRENT RATING: 30A  
 VOLTAGE RATING: 600V  
 WIRE RANGE: 10-18 AWG (UL)  
 10-22 AWG (CSA)

MECHANICAL:  
 RECOMMENDED TORQUE: 20 IN-LB  
 OPERATING TEMP.: -40°C TO +120°C.

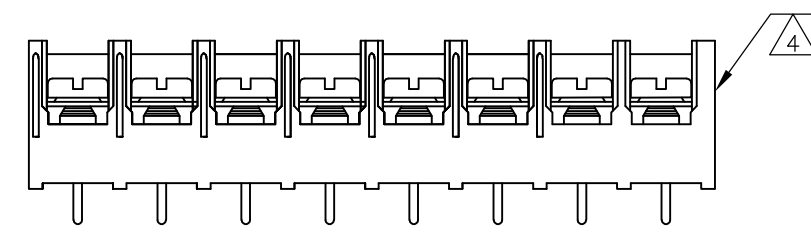
- 1 MARK WITH WHITE INK.
- 2 M4 THREAD IN TERMINAL, NO SCREWS INCLUDED.
- 3 ALL SCREWS TO BE BOTTOMED, EXCEPT AS NOTED.
- 4 SCREWS ON THIS ASSEMBLY WIRE READY.



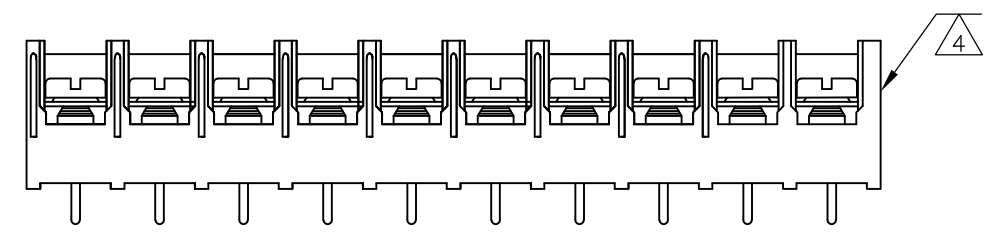
1546728-3



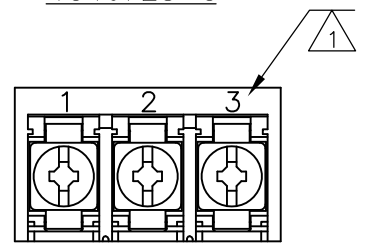
1986650-6



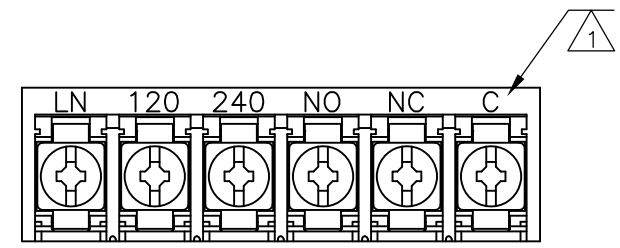
1986650-8



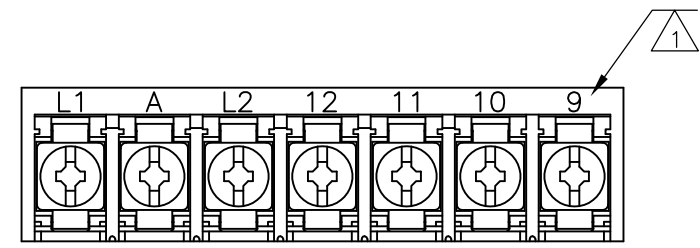
1-1986650-0



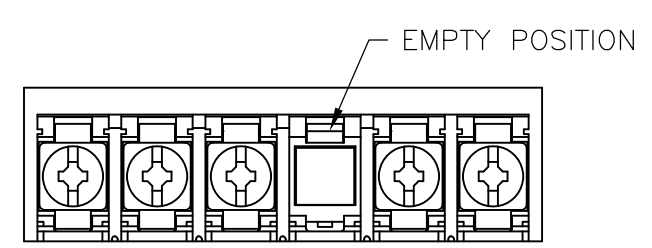
1546137-1



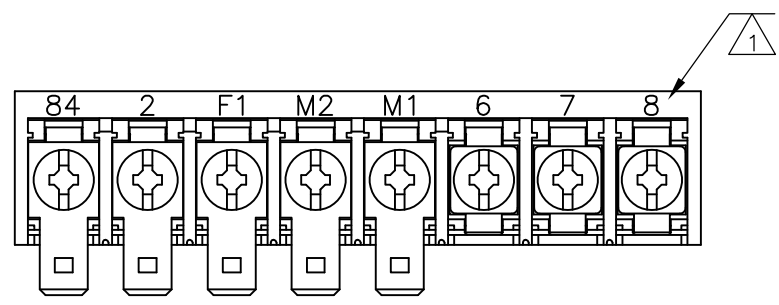
6-1546159-4



6-1546159-7



1546728-1



6-1546159-6

THIS DRAWING IS A CONTROLLED DOCUMENT.

|                       |  |
|-----------------------|--|
| DIMENSIONS:<br>INCHES | TOLERANCES UNLESS OTHERWISE SPECIFIED: |
|                       | 0 PLC ± -                              |
|                       | 1 PLC ± -                              |
|                       | 2 PLC ± .02                            |
|                       | 3 PLC ± .010                           |
|                       | 4 PLC ± -                              |
|                       | ANGLES ± -                             |
| MATERIAL              | FINISH                                 |
| -                     | -                                      |

|                  |            |         |
|------------------|------------|---------|
| DWN              | S SCHLEGEL | 5/15/03 |
| CHK              | S YODER    | 5/15/03 |
| APVD             | S YODER    | 5/15/03 |
| PRODUCT SPEC     | -          |         |
| APPLICATION SPEC | -          |         |
| WEIGHT           | -          |         |
| CUSTOMER DRAWING |            |         |

**STE** TE Connectivity

8PCV-XX-006 ASSEMBLY

|       |           |               |               |
|-------|-----------|---------------|---------------|
| SIZE  | CAGE CODE | DRAWING NO    | RESTRICTED TO |
| A3    | 00779     | C-6-1437657-3 | -             |
| SCALE | SHEET     | REV           |               |
| NTS   | 1 OF 2    | K4            |               |


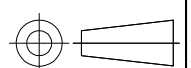
THIS DRAWING IS UNPUBLISHED. RELEASED FOR PUBLICATION  
 © COPYRIGHT - By - ALL RIGHTS RESERVED.

| LOC | DIST | REVISIONS |     |             |      |     |      |
|-----|------|-----------|-----|-------------|------|-----|------|
|     |      | P         | LTR | DESCRIPTION | DATE | DWN | APVD |
| -   | -    | -         | -   | SEE SHEET 1 | -    | -   | -    |

| NO | PLC                       | DIM B | DIM A | NO OF POS | CATALOG NUMBER | PART NO     |
|----|---------------------------|-------|-------|-----------|----------------|-------------|
| 2  | -                         | .875  | 1.385 | 3         | -              | 1546728-5   |
| -  | -                         | 8.312 | 8.822 | 20        | 8PCV-20-006    | 8-1546159-2 |
| -  | -                         | 7.875 | 8.385 | 19        | 8PCV-19-006    | 1546728-2   |
| -  | -                         | 7.438 | 7.948 | 18        | 8PCV-18-006    | 7-1437658-2 |
| -  | -                         | 7.000 | 7.510 | 17        | 8PCV-17-006    | 8-1546159-1 |
| -  | -                         | 6.563 | 7.073 | 16        | 8PCV-16-006    | 6-1437658-6 |
| -  | -                         | 6.125 | 6.635 | 15        | 8PCV-15-006    | 8-1437659-0 |
| -  | -                         | 5.688 | 6.198 | 14        | 8PCV-14-006    | 6-1437658-0 |
| -  | -                         | 5.250 | 5.760 | 13        | 8PCV-13-006    | 5-1437658-5 |
| -  | -                         | 4.813 | 5.323 | 12        | 8PCV-12-006    | 4-1437658-5 |
| -  | -                         | 4.375 | 4.885 | 11        | 8PCV-11-006    | 4-1437658-0 |
| -  | -                         | 3.938 | 4.448 | 10        | 8PCV-10-006    | 3-1437658-3 |
| -  | SEE FIGURE                | 3.938 | 4.448 | 10        | 8PCV-10-050    | 1-1986650-0 |
| -  | -                         | 3.500 | 4.010 | 9         | 8PCV-09-006    | 7-1546159-1 |
| -  | SEE FIGURE                | 3.063 | 3.573 | 8         | 8PCV-08-502    | 6-1546159-9 |
| -  | -                         | 3.063 | 3.573 | 8         | 8PCV-08-006    | 2-1437658-1 |
| -  | SEE FIGURE                | 3.063 | 3.573 | 8         | 8PCV-08-050    | 1986650-8   |
| -  | SEE FIGURE                | 2.625 | 3.135 | 7         | 8PCV-07-598    | 6-1546159-7 |
| -  | -                         | 2.625 | 3.135 | 7         | 8PCV-07-623    | 1-1437658-6 |
| -  | -                         | 2.625 | 3.135 | 7         | 8PCV-07-006    | 1-1437658-1 |
| -  | SEE FIGURE                | 2.187 | 2.697 | 6         | 8PCV-06-050    | 1986650-6   |
| -  | SEE FIGURE                | 2.187 | 2.697 | 6         | 8PCV-06-050    | 1546728-1   |
| -  | SEE FIGURE                | 2.187 | 2.697 | 6         | 8PCV-06-538    | 6-1546159-4 |
| -  | -                         | 2.187 | 2.697 | 6         | 8PCV-06-006    | 9-1437657-8 |
| -  | SUPERCEDED BY 8-1437657-8 | 1.750 | 2.260 | 5         | 8PCV-05-637    | 9-1437657-4 |
| -  | -                         | 1.750 | 2.260 | 5         | 8PCV-05-006    | 8-1437657-8 |
| -  | SUPERCEDED BY 8-1437657-0 | 1.312 | 1.822 | 4         | 8PCV-04-636    | 8-1437657-3 |
| -  | -                         | 1.312 | 1.822 | 4         | 8PCV-04-006    | 8-1437657-0 |
| -  | SEE FIGURE                | .875  | 1.385 | 3         | 8PCV-03-662    | 1546728-3   |
| -  | SEE FIGURE                | .875  | 1.385 | 3         | 8PCV-03-657    | 1546137-1   |
| -  | -                         | .875  | 1.385 | 3         | 8PCV-03-006    | 6-1437657-9 |
| -  | -                         | .437  | .947  | 2         | 8PCV-02-006    | 5-1437657-7 |
| -  | -                         | .437  | .947  | 2         | 8PCV-02-634    | 6-1437657-3 |

SUPERCEDED BY 8-1437657-8

SUPERCEDED BY 8-1437657-0

|   |  |                              |   |           |            |               |
|---|--|------------------------------|---|-----------|------------|---------------|
| THIS DRAWING IS A CONTROLLED DOCUMENT.  |  | DWN<br>S SCHLEGEL<br>5/15/03 |  TE Connectivity |           |            |               |
| DIMENSIONS:<br>INCHES   |  | CHK<br>S YODER<br>5/15/03    |   |           |            |               |
|  |  | APVD<br>S YODER<br>5/15/03   | NAME  |           |            |               |
| TOLERANCES UNLESS OTHERWISE SPECIFIED:  |  | PRODUCT SPEC                 | 8PCV-XX-006 ASSEMBLY  |           |            |               |
| 0 PLC ± -   |  | APPLICATION SPEC             | SIZE  | CAGE CODE | DRAWING NO | RESTRICTED TO |
| 1 PLC ± -   |  |                              | A3 00779 C-6-1437657-3  |           |            |               |
| 2 PLC ± .02   |  |                              | CUSTOMER DRAWING  |           |            | SCALE NTS     |
| 3 PLC ± .010  |  |                              | SHEET 2 OF 2  |           |            | REV K4        |
| 4 PLC ± -   |  |                              |   |           |            |               |
| ANGLES ± -  |  |                              |   |           |            |               |
| MATERIAL  |  | WEIGHT                       |   |           |            |               |
| FINISH  |  |                              |   |           |            |               |