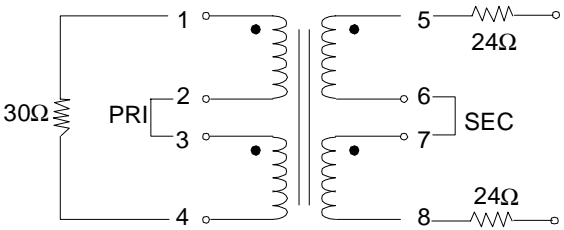


ISDN U-Interface Transformer P/N T-1269

Turns Ratio (PRI : SEC)	1:1.5 : ± 1%
(1-2 : 3-4)	1.58 : 1
(5-6 : 7-8)	1 : 1

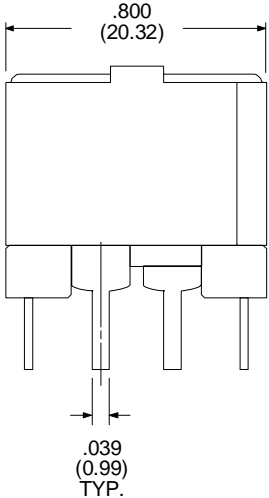
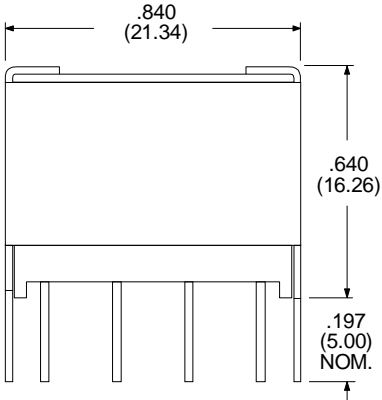
Parameter	Min.	Typ.	Max.	Units
Inductance 5-8 (6-7, shorted)	21.6	27	32.4	mH
Return Loss At 40 kHz	28			dB
Total Harmonic Distortion ¹			70	dB
DC Resistance 1 - 2	1.80		2.20	Ω
DC Resistance 3 - 4	1.45		1.80	Ω
DC Resistance 5 - 6	4.00		5.00	Ω
DC Resistance 7 - 8	4.00		5.00	Ω
Hi-Pot Primary to Secondary	500			V _{RMS}

Schematic Diagram



1. With 90 mADC through SEC and 40 kHz sine wave injected into the PRI at a level which generates 5V p-p into 135 ohms at the SEC.

Designed to meet the requirements for national ISDN U-INTERFACE chip TP3410

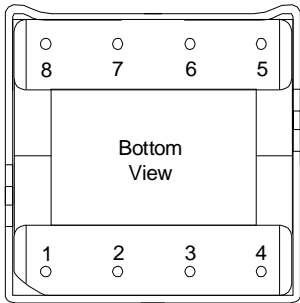
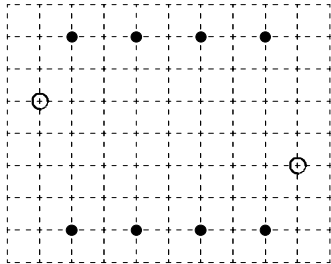


Pin Diameter is 0.026 (0.66)

Pin Position Grid 0.100 (2.54)

● Holes For Bobbin Pins

○ Holes For Clip Pins



Physical Dimensions
inches (mm)

9/8/99