

# SMD POWER INDUCTORS

MODEL NO. : SMI-0805 SERIES (DO3316P COMPATIBLE)

## FEATURES:

- \* SUPERIOR QUALITY FOR AN AUTOMATED PRODUCTION LINE.
- \* PICK AND PLACE COMPATIBLE.
- \* TAPE AND REEL PACKING.

## APPLICATION :

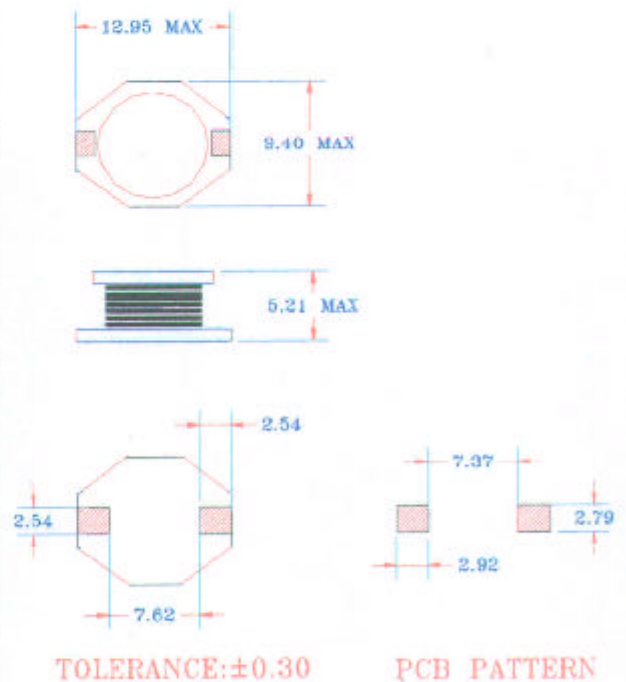
- \* NOTEBOOK COMPUTERS.
- \* DC-DC CONVERTORS.
- \*DC-AC INVERTERS.
- \*CABLE MODEM

## ELECTRICAL SPECIFICATION:

(UNIT:mm)

PART NO.	INDUCTANCE ( $\mu$ H $\pm$ 20%)	D.C.R. MAX ( $\Omega$ )	I <sub>sat</sub> (ADC)	I <sub>rms</sub> (A <sub>rms</sub> )
SMI-0805-1R0	1.0	0.009	9.0	6.8
SMI-0805-1R5	1.5	0.010	8.0	6.4
SMI-0805-2R2	2.2	0.012	7.0	6.1
SMI-0805-3R3	3.3	0.015	6.4	5.4
SMI-0805-4R7	4.7	0.018	5.4	4.8
SMI-0805-6R8	6.8	0.027	4.6	4.4
SMI-0805-100	10	0.038	3.8	3.9
SMI-0805-150	15	0.046	3.0	3.1
SMI-0805-220	22	0.085	2.6	2.7
SMI-0805-330	33	0.10	2.0	2.1
SMI-0805-470	47	0.14	1.6	1.8
SMI-0805-680	68	0.20	1.4	1.5
SMI-0805-101	100	0.28	1.2	1.3
SMI-0805-151	150	0.40	1.0	1.0
SMI-0805-221	220	0.61	0.8	0.8
SMI-0805-331	330	1.02	0.6	0.6
SMI-0805-471	470	1.27	0.5	0.5
SMI-0805-681	680	2.02	0.4	0.4
SMI-0805-102	1000	3.00	0.3	0.3

## PHYSICAL DIMENSION :



NOTE(1):TEST FREQUENCY: 100KHZ , 0.1 VRMS

NOTE(2):THIS INDICATES THE VALUE OF DC CURRENT WHICH THE INDUCTANCE IS 10% LOWER THAN ITS INITIAL VALUE AND/OR  $\Delta T=40^{\circ}C$  UNDER THIS DC CURRENT BIAS.