

PLEASE CHECK WWW.MOLEX.COM FOR LATEST PART INFORMATION

Part Number: [0850429025](#)
Status: **Active**
Overview: [din_41612](#)
Description: 2.54mm (.100") Pitch DIN 41612 Receptacle, Style C/2, 48 Circuits

Documents:

[Drawing \(PDF\)](#) [RoHS Certificate of Compliance \(PDF\)](#)

General

Product Family	Backplane Connectors
Series	85042
Application	Daughtercard
Component Type	PCB Receptacle
Overview	din_41612
Product Name	IEC 603-2/DIN 41612
Style	C/2

Physical

Circuits (Loaded)	48
Circuits (maximum)	48
Circuits Detail	Rows A, B, & C
Durability (mating cycles max)	400
First Mate / Last Break	No
Guide to Mating Part	No
Keying to Mating Part	Yes
Number of Columns	16
Number of Pairs	Open Pin Field
Number of Rows	3
Orientation	Vertical
PC Tail Length (in)	0.177 In
PC Tail Length (mm)	4.50 mm
PCB Locator	No
PCB Retention	Yes
Packaging Type	Tray
Pitch - Mating Interface (in)	0.100 In
Pitch - Mating Interface (mm)	2.54 mm
Pitch - Term. Interface (in)	0.100 In
Pitch - Term. Interface (mm)	2.54 mm
Polarized to PCB	Yes
Stackable	No
Surface Mount Compatible (SMC)	No
Temperature Range - Operating	-55°C to +125°C

Electrical

Current - Maximum per Contact	1A
Data Rate	622.0 Mbps
Shielded	No
Voltage - Maximum	250V AC (RMS)

Material Info

Reference - Drawing Numbers

Sales Drawing	SD-85042-002
---------------	--------------

EU RoHS
ELV and RoHS
Compliant
REACH SVHC
Not Reviewed
Halogen-Free
Status
Not Reviewed

China RoHS



Need more information on product environmental compliance?

Email productcompliance@molex.com
 For a multiple part number RoHS Certificate of Compliance, [click here](#)

Please visit the [Contact Us](#) section for any non-product compliance questions.

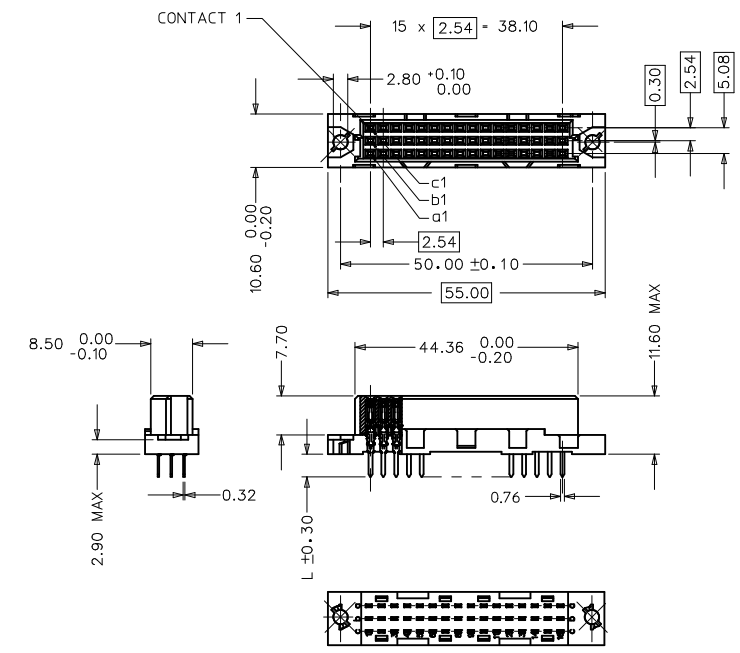
Search Parts in this Series

[85042Series](#)

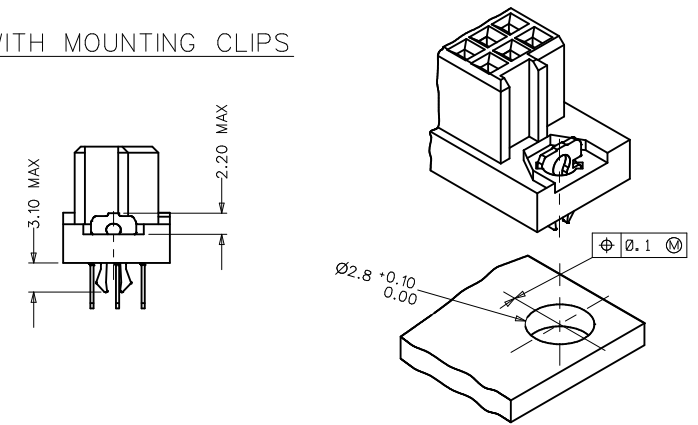
Mates With

DIN 41612 Headers [85003](#) , [85013](#)

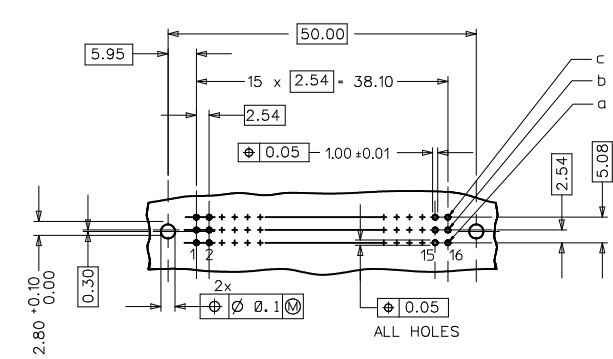
PLEASE CHECK WWW.MOLEX.COM FOR LATEST PART INFORMATION



WITH MOUNTING CLIPS



RECOMMENDED PCB LAYOUT
COMPONENT SIDE



- NOTES:
- 1) MATERIALS: THERMOPLASTIC POLYESTER, GLASS FILLED, UL94V-0, COLOUR: PEBBLE GREY RAL 7032
TERMINAL - PHOSPHOR BRONZE
MOUNTING CLIP: STEEL
 - 2) FINISH: TERMINAL:-
CONTACT AREA:
1. PERFORMANCE LEVEL 1: SELECTIVE GOLD (Au), THICKNESS = 1.1 MICROMETER OVER NICKEL, THICKNESS = 1.5 MICROMETER
2. PERFORMANCE LEVEL 2: SELECTIVE GOLD (Au), THICKNESS = 0.6 MICROMETER OVER NICKEL, THICKNESS = 1.5 MICROMETER
3. PERFORMANCE LEVEL 3: SELECTIVE GOLD (Au), THICKNESS = 0.3 MICROMETER OVER NICKEL, THICKNESS = 1.5 MICROMETER
TERMINATION AREA:
SELECTIVE TIN, THICKNESS = 5 MICROMETER OVER NICKEL, THICKNESS = 1.5 MICROMETER OVERALL
 - 3) MOUNTING CLIP:-
TIN (Sn), THICKNESS = 5-10 MICROMETER, OVER NICKEL (Ni), THICKNESS = 2.5 MICROMETER
 - 4) FOR NON MOUNTING CLIP OPTION, CONNECTOR TO BE SECURED WITH RIVETS: 2 TUBULAR RIVETS 2.5 x 0.3 ... DIN 7340
SCREWS: 2 CHEESEHEAD SCREWS M2.5 x DIN 84 AND 2 HEXAGONAL NUTS M2.5 DIN 934
 - 5) MATERIAL No, BATCH CODE, UL AND CSA MARKING TO BE PRINTED ON THE CONNECTOR.
 - 6) CUT FACES OF TIP WITHOUT PLATING PERMITTED.
 - 7) PRODUCT SPECIFICATION PS-85042-0001

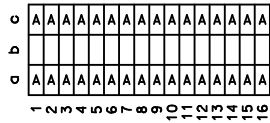
RoHS COMPLIANT

ENTER DESCRIPTION EC NO: 2070-0293 2009/12/04 DR/WR/KR/KUMAR 2010/01/27 CH/KD/KPRASAD 2010/03/11 APPR/KPRASAD	QUALITY SYMBOLS ▽=0 ▽=0 ▽=0	GENERAL TOLERANCES (UNLESS SPECIFIED) mm INCH		DIMENSION STYLE MM ONLY		SCALE 1:1	DESIGN UNITS METRIC	THIRD ANGLE PROJECTION		
		4 PLACES ± --- ± ---	3 PLACES ± 0.005 ± ---	2 PLACES ± 0.1 ± ---	1 PLACE ± 0.15 ± ---	DRAWN BY SHANKAR 2006/04/25	DATE 2006/04/25	TITLE ASSY DIN41612 C/2 FEMALE 48 POS 1.0MM PCB DIA		
		ANGULAR ± 2 °		APPROVED BY SSUDHIR 2006/04/25		DATE 2006/04/25		Molex MOLEX INCORPORATED		
		DRAFT WHERE APPLICABLE MUST REMAIN WITHIN DIMENSIONS		MATERIAL NO. SEE SHEET 2		DOCUMENT NO. SD-85042-002		SHEET NO. 1 OF 2		

THIS DRAWING CONTAINS INFORMATION THAT IS PROPRIETARY TO MOLEX INCORPORATED AND SHOULD NOT BE USED WITHOUT WRITTEN PERMISSION

MATERIAL No	MOLEX ENG No	PERF LEVEL	PLATING	CONTACT SEQUENCE/ROW	DIM "L" mm	MOUNTING CLIP	FLUX PROOF
850424294	85042-4294	2	Au+Ni	1.2.3....16 a+b+c	2.9	YES	NO
850429025	85042-9025	2	Au+Ni	1.2.3....16 a+b+c	4.5	YES	NO
850420048	85042-0048	2	Au+Ni	1.2.3....16 a+c	4.5	NO	NO
850420086	85042-0086	2	Au+Ni	1.2.3....16 a+b+c	4.5	NO	NO
850421184	85042-1184	1	Au+Ni	1.2.3....16 a+b+c	2.9	NO	YES
850421330	85042-1330	1	Au+Ni	1.2.3....16 a+b+c	4.5	NO	NO
850424268	85042-4268	2	Au+Ni	1.2.3....16 a+b+c	2.9	NO	NO
850424282	85042-4282	2	Au+Ni	1.2.3....16 a+c	2.9	YES	NO
850426098	85042-6098	3	Au+Ni	1.2.3....16 a+b+c	2.9	NO	NO
850429022	85042-9022	2	Au+Ni	1.2.3....16 a+c	2.9	YES	NO

View on mating side



View on mating side



RoHS COMPLIANT

ENTER DESCRIPTION IEC NO: 2090-0293 DRAWN BY: DRWINRUKUMAR CHECKED BY: CHIKOKPRASAD APPROVED BY: APPR:KPRASAD DATE: 2009/12/04 2010/01/27 2010/03/11 B1	QUALITY SYMBOLS ▽=0 ▽=0	GENERAL TOLERANCES (UNLESS SPECIFIED) <table border="1"> <tr> <th></th> <th>mm</th> <th>INCH</th> </tr> <tr> <td>4 PLACES</td> <td>±---</td> <td>±---</td> </tr> <tr> <td>3 PLACES</td> <td>±---</td> <td>±---</td> </tr> <tr> <td>2 PLACES</td> <td>±---</td> <td>±---</td> </tr> <tr> <td>1 PLACE</td> <td>±---</td> <td>±---</td> </tr> </table>		mm	INCH	4 PLACES	±---	±---	3 PLACES	±---	±---	2 PLACES	±---	±---	1 PLACE	±---	±---	DIMENSION STYLE MM ONLY	SCALE ---	DESIGN UNITS METRIC	THIRD ANGLE PROJECTION
		mm	INCH																		
	4 PLACES	±---	±---																		
	3 PLACES	±---	±---																		
2 PLACES	±---	±---																			
1 PLACE	±---	±---																			
DRAFT WHERE APPLICABLE MUST REMAIN WITHIN DIMENSIONS	SEE CHART	APPROVED BY SSUDHIR DATE 2006/04/25	TITLE ASSY DIN41612 C/2 FEMALE 48 POS 1.0MM PCB DIA	MOLEX INCORPORATED																	
SIZE A 1	THIS DRAWING CONTAINS INFORMATION THAT IS PROPRIETARY TO MOLEX INCORPORATED AND SHOULD NOT BE USED WITHOUT WRITTEN PERMISSION			DOCUMENT NO. SD-85042-002	SHEET NO. 2 OF 2																