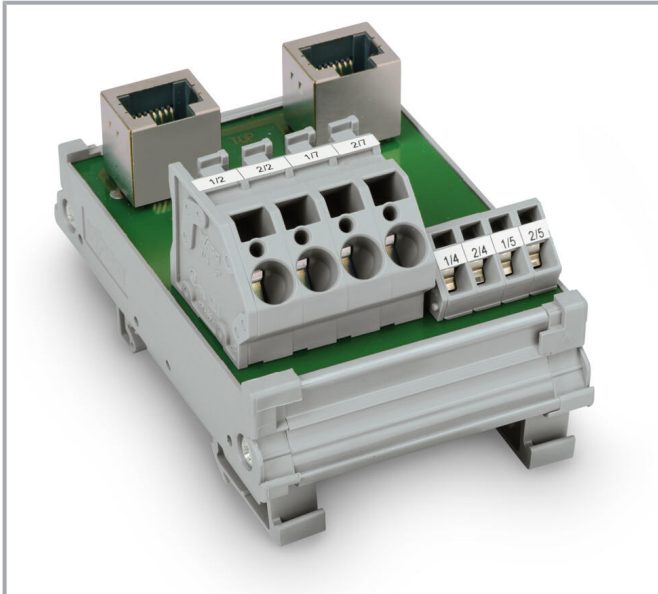


Data sheet | Item number: 289-965

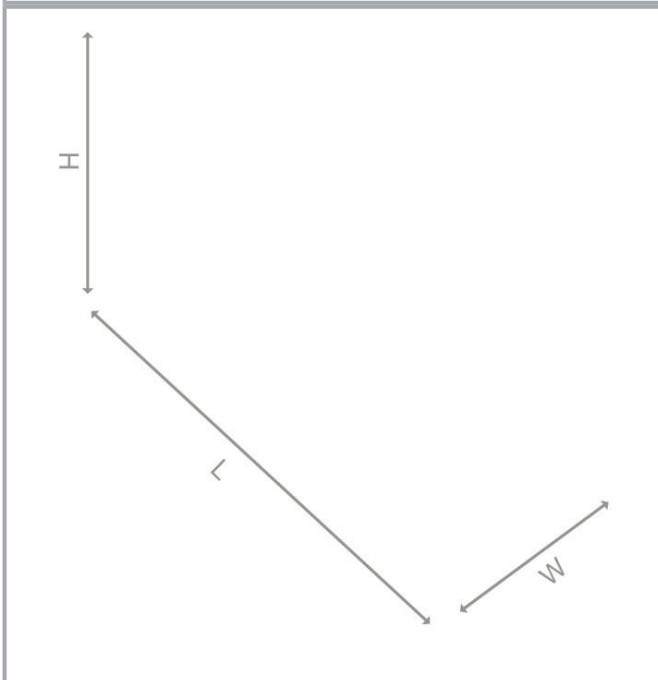
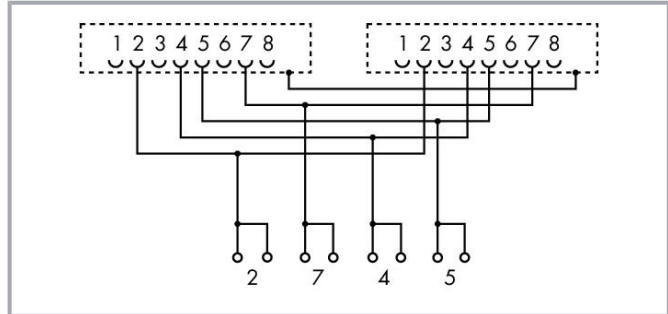
Interface module; 2xRJ-45; PCB terminal blocks, double-row; in mounting carrier



www.wago.com/289-965



Similar to picture



Subject to changes. Please also observe the further product documentation!

WAGO GmbH & Co. KG
Hansastr. 27
32423 Minden
Phone: +49571 887-0 | Fax: +49571 887-169
Email: info.de@wago.com | Web: www.wago.com

Do you have any questions about our products?
We are always happy to take your call at +49 (571) 887-44222.



Item description

Short description:

Compatible on the field side with the 789-620, 789-621 and 789-622 Current Sensors

Required terminal assignment:

2: + Supply

7: - Supply

4: D+

5: D-

Data

Electrical data

Nominal current	1.5 A
Insulation resistance	$\geq 500 \text{ M}\Omega$

Safety and protection

Dielectric strength, contact/contact (AC, 1 min)	$0.5 \text{ kV}_{\text{rms}}$
--	-------------------------------

Connection data

Pole No.	8
Connection type (1)	System
Pluggable connectors	2 x RJ-45 (shielded)
Connection type 2	Clamping units 2, 7
Pole number 2	8
Design 2	PCB terminal blocks
Connection technology 2	CAGE CLAMP®
WAGO Connector 2	WAGO 236 Series
Solid conductor 2	0.08 ... 2.5 mm ² / 28 ... 12 AWG
Fine-stranded conductor 2	0.08 ... 2.5 mm ² / 28 ... 12 AWG
Strip length 2	5 ... 6 mm / 0.2 ... 0.24 inch
Connection type (3)	Clamping units 4, 5
Pole number 3	4
Design 3	PCB terminal blocks
Connection technology 3	CAGE CLAMP®

Subject to changes. Please also observe the further product documentation!

WAGO GmbH & Co. KG
 Hansastr. 27
 32423 Minden
 Phone: +49571 887-0 | Fax: +49571 887-169
 Email: info.de@wago.com | Web: www.wago.com

Do you have any questions about our products?
 We are always happy to take your call at +49 (571) 887-44222.



WAGO Connector 3	WAGO 745 Series
Solid conductor 3	0.2 ... 6 mm ² / 24 ... 10 AWG
Fine-stranded conductor (3)	0.2 ... 6 mm ² / 24 ... 10 AWG
Strip length 3	11 ... 12 mm / 0.43 ... 0.47 inch
Note (conductor cross-section)	12 AWG: THHN, THWN
Mating cycles	500
Connection cable	RJ-45 cable assembly (recommended: UTP)

Physical data

Width	58 mm / 2.283 inch
Height	85 mm / 3.346 inch
Depth from upper edge of DIN-rail	40 mm / 1.575 inch

Mechanical data

Mounting type	DIN-35 rail
Housing design	Mounting carrier

Material data

Fire load	0.785 MJ
Weight	70 g

Environmental requirements

Surrounding air temperature (operation)	-20 ... 85 °C
---	---------------

Commercial data

Product Group	6 (Interface Electronics)
PU (SPU)	5 (1) Stück
Packaging type	box
Country of origin	DE
GTIN	4045454830038
Customs tariff number	85366990990

Downloads

Documentation

Bid Text

289-965

Subject to changes. Please also observe the further product documentation!

WAGO GmbH & Co. KG

Hansastr. 27

32423 Minden

Phone: +49571 887-0 | Fax: +49571 887-169

Email: info.de@wago.com | Web: www.wago.com

Do you have any questions about our products?

We are always happy to take your call at +49 (571) 887-44222.



289-965 docx - Datei	2019. 3. 4.	docx 15.1 kB	Download
-------------------------	-------------	-----------------	----------

289-965 X81 - Datei	2019. 2. 19.	xml 4.0 kB	Download
------------------------	--------------	---------------	----------

Instruction Leaflet		pdf 1.3 MB	Download
----------------------------	--	---------------	----------

Additional Information

Disposal; Electrical and electronic equipment, Packaging	V 1.0.0	pdf 265.8 kB	Download
--	---------	-----------------	----------

CAD/CAE-Data

CAD data

2D/3D Models 289-965		URL	Download
----------------------	--	-----	----------

CAE data

WSCAD Universe 289-965		URL	Download
------------------------	--	-----	----------

ZUKEN Portal 289-965		URL	Download
----------------------	--	-----	----------

Environmental Product Compliance

Compliance Search

Environmental Product Compliance 289-965 Interface module; 2xRJ-45; PCB terminal blocks, double-row; in mounting carrier		URL	Download
---	--	-----	----------

Installation Notes

Subject to changes. Please also observe the further product documentation!

WAGO GmbH & Co. KG
 Hansastr. 27
 32423 Minden
 Phone: +49571 887-0 | Fax: +49571 887-169
 Email: info.de@wago.com | Web: www.wago.com

Do you have any questions about our products?
 We are always happy to take your call at +49 (571) 887-44222.