

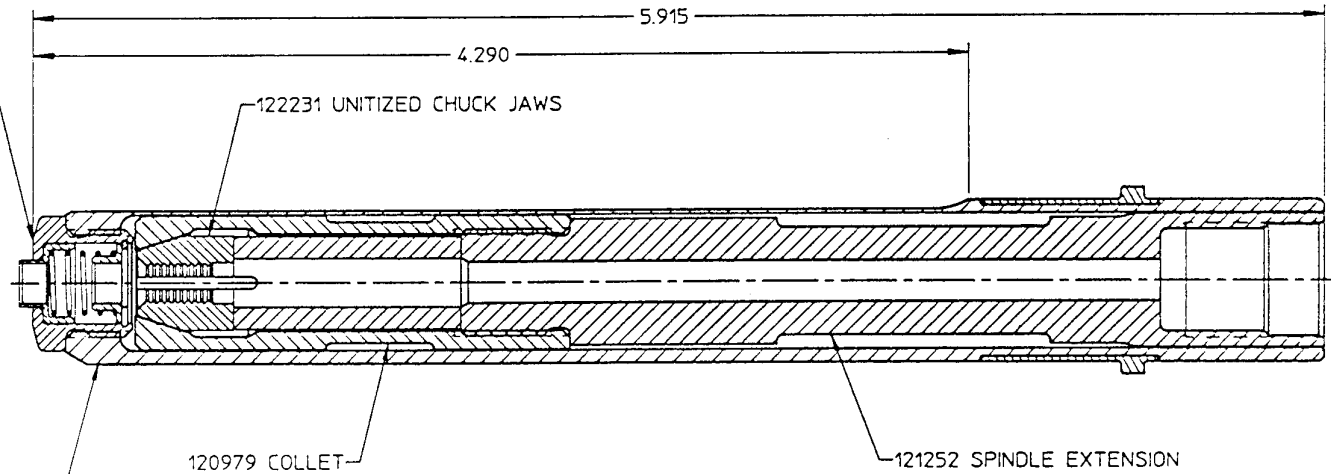
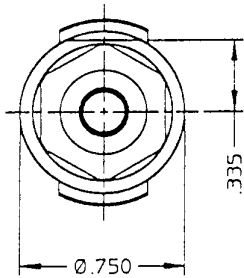


**Huck
Fasteners**

From Cordant Technologies

NOSE ASSEMBLY DATA SHEET

122229 CARTRIDGE ASSEMBLY
CONSISTS OF:
120986 CARTRIDGE
120987 LOADER
120988 SPRING GUIDE
500933 RETAINING RING
506129 SPRING



⚠ 122235 ANVIL HOLDER & RETAINER ASSEMBLY

©Huck International, Inc. 1995
©Registered Trademark of Huck International, Inc., Irvine, CA
™Trademark of Huck International, Inc., Irvine, CA

99-2646	Huck International, Inc. Installation System Division 1 Corporate Drive - Kingston, NY 12401	
	TYPE: ASP, Long FOR: Asp -08 TOOL: 212; 230; 2400; 2702; 352	
	OTHER	ISSUED: 4-92 REVISED:

U.S. Patent No. 4,347,728

NOTES:

⚠ ANVIL HOLDER & RETAINER ASSEMBLY P/N 122235
CONSISTS OF:
122234 ANVIL HOLDER
120738 RETAINER

Nose Assembly Maintenance

1. Prepare tool per manual - remove any shims from spindle/rod with small pick. Select pintail tube below to prevent small diameter pintails from jamming in pull piston or spindle.

Fastener 200/210/212/230/352

Dia. 2400/2702*

-04(1/8) 100534-1

-05(5/32) 100534-1

-06k08(3/16-1/4) None req'd.

*Tube available separately.

WARNING

Before maintenance or adjustments:

POWERIG Hydraulic Unit must be disconnected from electrical or air supply; air operated tools must be disconnected from air supply. If not disconnected, severe personal injury and/or damage may result.

2. Tools that use hydraulic source:

Connect tool's hoses and controls to POWERIG Hydraulic Unit. Reconnect power source. Depress trigger for 30 seconds. Disconnect controls and **RETURN** hose - **tool piston must be completely forward.**

Tools using air source: Air supply should have filter - regulator - lubricator unit with regulator set at 90 psi (620 kPa) - see **WARNING** - cycle tool a few times and disconnect with spindle/rod completely forward.

CAUTION: In severe conditions, **VIBRA-TITE** can be used on collet and/or extension threads to prevent loosening or damage. Carefully follow container's directions.

3. Disassembly/assembly as applicable:

Remove parts of nose assembly for inspection and maintenance.

Collet/extension: Assemble parts as shown. Spread thin film of SUPER O-LUBE on O-rings and O D of follower. Screw assembled collet onto extension using 9/16 collet wrench, wrench flats or 5/32 - 3/16 - 1/4 hex key - tighten wrench-tight. Screw assembled collet or collet/extension onto spindle/rod. Tighten wrench-tight - see **CAUTION.**

200 Tool: Hold spanner wrench, 111239, in slots at rear while snugging-up collet or extension - use collet wrench.

210/212/230/2400/2702 Tools: Hold 1/4 (230) or 5/16 hex key (210/2400/2702) in hex at rear while snugging-up collet/extension - use collet wrench.

Anvil: Assemble anvil retainer to anvil. Thread correct anvil insert into anvil holder - when changing anvil insert, retaining nut need not be removed.

4. Attaching nose to tool as applicable:

Slide holder/anvil over collet; stop and retaining nut over anvil/holder - tighten hand-tight.

352 Tool if applicable: Slide holder/anvil over collet until ear depresses half-moon retainer. Turn holder until locked by retainer - remove shim if ears do not enter groove. On rotatable nose assemblies, hold key, 110237, in anvil slot - as anvil is turned, retainer ears will enter groove.

5. **As applicable:** See **WARNING.** Reconnect controls and **RETURN** hose on hydraulic tool - reconnect hydraulic unit or air tool to power source. Install fasteners in test plate of correct thickness with proper size holes - inspect installed fasteners.

Notes:

1. To extend jaw life: Disassemble nose assembly periodically; clean and inspect components - use a pick to clean jaw grooves. **CAUTION:** Wash parts in mineral spirits or isopropyl alcohol only - dry O-rings; urethane jaw assemblies immediately after cleaning as prolonged contact with solvent causes swelling - dry other parts.

2. Spare parts - - as required: Jaws, O-rings, springs, ret. rings, anvil inserts and anvil retainer.

3. Tools/service items - - as required: NYLON bristle brushes - 105805 (04, 05 & 06), 105806 (08) 9/16 collet wrench, 502914; 5/32 hex key, 502450; 3/16 hex key, 502296; 1/4 hex key, 502445 (230) 5/16 hex key, 502446 (2400/2702) adjustable wrench, 503044; spanner wrench, 111239 (200) 0300 TRUARC Pliers, 502858; VIBRA-TITE, 505125; PARKER O-LUBE, 505476.

(352) 200/210/212/230/2400/2702
W/O lock collars; W or W/O ears
99-1800 2500; 2600; 3200; 3300; 3400
in-line series