

PLEASE CHECK WWW.MOLEX.COM FOR LATEST PART INFORMATION

Part Number: [0857205050](#)
Status: **Active**
Overview: [rj45 industrial ethernet plugs receptacles and accessories](#)
Description: Modular Plug, RJ-45, Push/Pull, Industrial Hybrid, Category 5, Shielded, 8/8, IP67, 4 Data and 4 Power Contacts Loaded

Documents:

[Drawing \(PDF\)](#) [RoHS Certificate of Compliance \(PDF\)](#)

General

Product Family	Modular Jacks/Plugs
Series	85720
Component Type	Wire Plug
Magnetic	No
Overview	rj45 industrial ethernet plugs receptacles and accessories
Performance Category	5
Power over Ethernet (PoE)	N/A
Product Name	Industrial, RJ45

Physical

Color - Resin	Black
Durability (mating cycles max)	750
Inverted / Top Latch	N/A
Keying to Mating Part	None
Lightpipes/LEDs	None
Material - Metal	Phosphor Bronze
Material - Plating Mating	Gold
Material - Plating Termination	Gold
Material - Resin	Polycarbonate
Orientation	N/A
PCB Locator	No
PCB Retention	N/A
Packaging Type	Tray
Panel Mount	N/A
Ports	1
Positions / Loaded Contacts	8/8
Temperature Range - Operating	-40°C to +70°C
Termination Interface: Style	N/A
Wire/Cable Type	Round

Electrical

Current - Maximum per Contact	1.5A
Grounding to PCB	No
Grounding to Panel	N/A
Shielded	Yes
Voltage - Maximum	48V

Material Info

Reference - Drawing Numbers

Application Specification	AS-85720-003
Sales Drawing	SD-85720-004

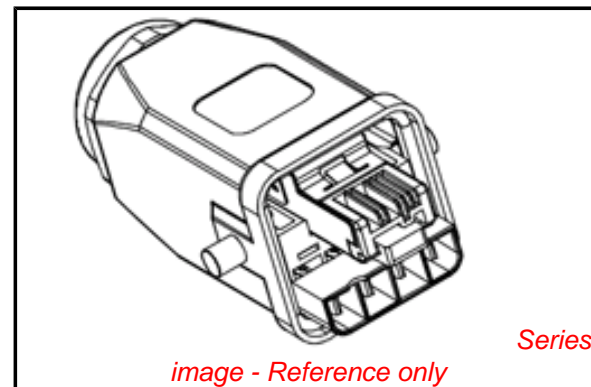


image - Reference only

EU RoHS

**ELV and RoHS
Compliant
REACH SVHC
Not Reviewed
Halogen-Free
Status**

China RoHS



**Need more information on product
environmental compliance?**

Email productcompliance@molex.com
For a multiple part number RoHS Certificate of Compliance, [click here](#)

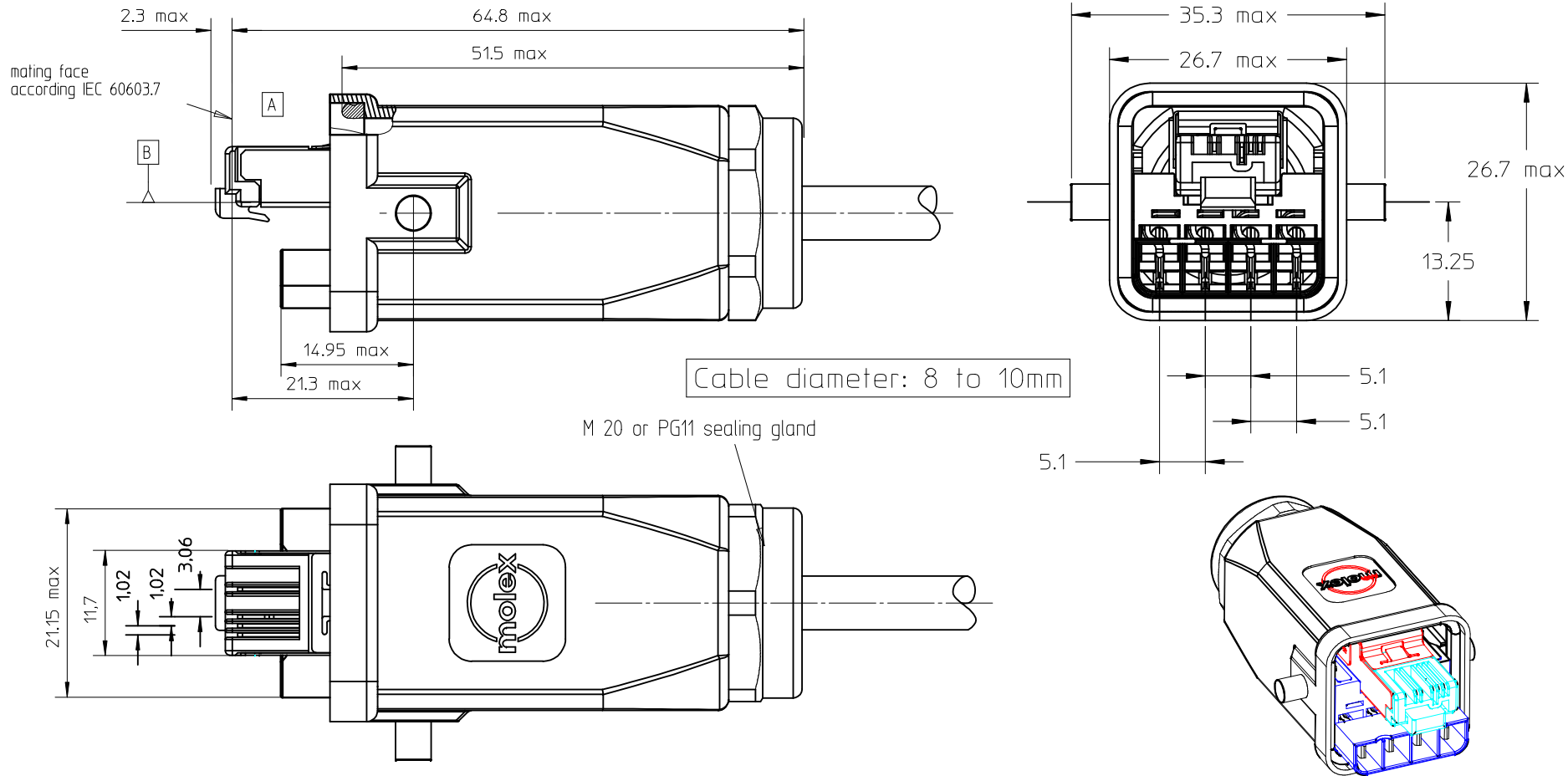
Please visit the [Contact Us](#) section for any non-product compliance questions.

Search Parts in this Series

[85720Series](#)

Mates With

[RJ-45 Jacks and Accessories](#)



power contact	data contact	performance level
Ag:5 μ mover Ni	Au:1.27 μ mover Ni	1

ENTER DESCRIPTION EC NO: MG2006-0187 DRWN: CSEBASTI 2008/12/19 CHKD: RSILLER 2008/12/19 APPR: AVOGT 2008/12/19	QUALITY SYMBOLS ▽=0 ◻=0	GENERAL TOLERANCES (UNLESS SPECIFIED)		DIMENSION STYLE MM ONLY	SCALE 1.5:1	DESIGN UNITS METRIC	◎ FIRST ANGLE PROJECTION	
				DRAWN BY KNOLLER	DATE 05/06/16	TITLE RJ INDUSTRIAL IP 67 HYBRID PLUG 4DATA + 4POWER		
				CHECKED BY FCARABET	DATE 05/06/20			
				APPROVED BY KNOLLER	DATE 05/06/21	MOLEX INCORPORATED		
				MATERIAL NO. 85720-5050				
2		DRAFT WHERE APPLICABLE MUST REMAIN WITHIN DIMENSIONS		THIS DRAWING CONTAINS INFORMATION THAT IS PROPRIETARY TO MOLEX INCORPORATED AND SHOULD NOT BE USED WITHOUT WRITTEN PERMISSION				