

RL-1508

MINI-INDUCTORS CONFORMALLY COATED

DESCRIPTION

- Conformally Coated Mini-Inductor

ENVIRONMENTAL DATA

- Storage temperature range:
-55°C to +130°C
- Operating temperature range:
-40°C to +130°C

PACKAGING INFORMATION

- Packaging information: pg. 507

FEATURES & APPLICATIONS

- Have high Q and low distributed capacity
- Excellent for use where space, weight and size is a factor
- Suitable for automatic PCB insertion
- Standard industry color codes identify values

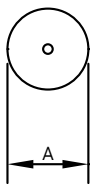
Verify operation with sample in actual circuit. Order samples at www.rencousa.com.

MECHANICAL DIMENSIONS

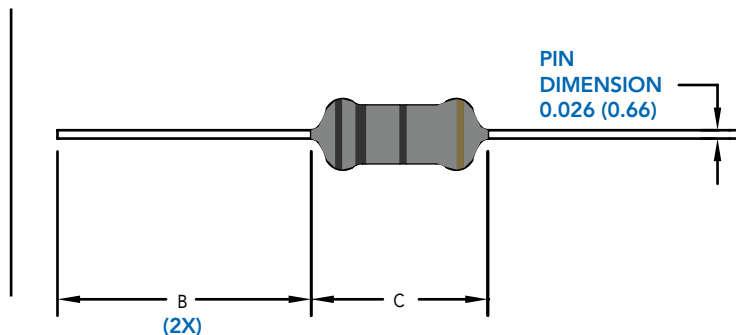
U.S. Standard (mm)

PART NUMBER	A (MAX.)	B (MIN.)	C (MAX.)	PART WEIGHT
RL-1508	0.100 (2.540)	0.750 (19.050)	0.160 (4.064)	0.25g (0.009oz)

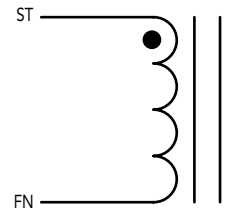
FRONT VIEW



SIDE VIEW



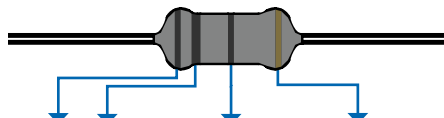
SCHEMATIC



RL-1508

Renco Part No. RL-1508	Ind (μH)	DCR Max. (Ohms)	Q Min.	MRF (MHz)	SRF (MHz) Min.	Isat (mA)
RL-1508-.10	0.10	0.18	35.0	25.2	300.0	700.0
RL-1508-.12	0.12	0.20	35.0	25.2	300.0	660.0
RL-1508-.15	0.15	0.22	35.0	25.2	300.0	620.0
RL-1508-.18	0.18	0.24	35.0	25.2	300.0	600.0
RL-1508-.22	0.22	0.40	35.0	25.2	150.0	400.0
RL-1508-.27	0.27	0.43	35.0	25.2	150.0	380.0
RL-1508-.33	0.33	0.48	35.0	25.2	150.0	370.0
RL-1508-.39	0.39	0.51	35.0	25.2	150.0	350.0
RL-1508-.47	0.47	0.56	35.0	25.2	150.0	330.0
RL-1508-.56	0.56	0.61	35.0	25.2	150.0	320.0
RL-1508-.68	0.68	0.67	35.0	25.2	150.0	310.0
RL-1508-.82	0.82	0.74	35.0	25.2	150.0	290.0
RL-1508-1.0	1.00	0.80	35.0	25.2	150.0	270.0
RL-1508-1.2	1.20	0.90	40.0	7.96	110.0	260.0
RL-1508-1.5	1.50	1.00	40.0	7.96	70.0	250.0
RL-1508-1.8	1.80	1.10	40.0	7.96	60.0	240.0
RL-1508-2.2	2.20	1.20	40.0	7.96	45.0	230.0
RL-1508-2.7	2.70	1.30	40.0	7.96	40.0	220.0

Renco Part No. RL-1508	Ind (μH)	DCR Max. (Ohms)	Q Min.	MRF (MHz)	SRF (MHz) Min.	Isat (mA)
RL-1508-3.3	3.30	1.40	40.0	7.96	38.0	210.0
RL-1508-3.9	3.90	1.50	40.0	7.96	36.0	200.0
RL-1508-4.7	4.70	1.70	40.0	7.96	32.0	190.0
RL-1508-5.6	5.60	1.90	40.0	7.96	30.0	180.0
RL-1508-6.8	6.80	2.00	40.0	7.96	28.0	175.0
RL-1508-8.2	8.20	2.20	40.0	7.96	26.0	165.0
RL-1508-10	10.0	2.50	40.0	7.96	24.0	160.0
RL-1508-12	12.0	2.50	40.0	2.52	22.0	150.0
RL-1508-15	15.0	2.80	40.0	2.52	20.0	145.0
RL-1508-18	18.0	3.10	40.0	2.52	18.0	140.0
RL-1508-22	22.0	3.40	40.0	2.52	17.0	100.0
RL-1508-27	27.0	4.30	40.0	2.52	16.0	80.0
RL-1508-33	33.0	4.70	40.0	2.52	14.0	75.0
RL-1508-39	39.0	5.20	40.0	2.52	13.0	74.0
RL-1508-47	47.0	5.80	40.0	2.52	12.0	70.0
RL-1508-56	56.0	6.40	40.0	2.52	11.0	68.0
RL-1508-68	68.0	7.20	40.0	2.52	10.0	64.0
RL-1508-82	82.0	11.0	40.0	2.52	9.50	46.0
RL-1508-100	100.0	12.0	40.0	2.52	9.00	44.0
RL-1508-120	120.0	13.0	40.0	0.796	8.00	42.0
RL-1508-150	150.0	16.00	40.0	0.796	6.00	39.0
RL-1508-180	180.0	18.00	40.0	0.796	5.50	37.0
RL-1508-220	220.0	20.00	40.0	0.796	5.00	35.0
RL-1508-270	270.0	25.00	40.0	0.796	4.60	28.0
RL-1508-330	330.0	30.00	40.0	0.796	4.20	26.0
RL-1508-390	390.0	34.00	40.0	0.796	3.80	25.0
RL-1508-470	470.0	38.00	40.0	0.796	3.50	24.0



Color	Nominal Inductance (μH)			Tolerance
	First figure	Second figure	Decade Power Multiplier	
Black	0		1	±20%
Brown	1		10	
Red	2		100	
Orange	3		1000	
Yellow	4		--	
Green	5		--	
Blue	6		--	
Purple	7		--	
Grey	8		--	
White	9		--	
Gold	--		0.1	±5%
Silver	--		0.01	±10%

NOTES:

- ELECTRICAL SPECIFICATIONS MEASURED AT 25°C
- Isat - DC CURRENT THAT WILL CAUSE INDUCTANCE TO DROP BY 5%
- INDUCTANCE TESTED AT 10 kHz, 0.1 Vrms
- MRF = Q TEST MEASURING FREQUENCY



RENCO ELECTRONICS INC.

595 International Place, Rockledge, FL 32955-4200 USA • www.rencousa.com • ISO 9001 Certified
Toll Free Engineering Hot Line: 800.645.5828 • P: 321.637.1000 • F: 321.637.1600

