

PLEASE CHECK WWW.MOLEX.COM FOR LATEST PART INFORMATION

Part Number: [0444720257](#)
Status: **Active**
Description: 4.20mm (.165") Pitch Mini-Fit HCS™ Header, Dual Row, Vertical, without Snap-in Plastic Peg PCB Lock, 2 Circuits, PA Polyamide Nylon 6/6 94V-0, with Drain Holes

Documents:

[3D Model](#) [Product Specification PS-44476-001 \(PDF\)](#)
[Drawing \(PDF\)](#) [RoHS Certificate of Compliance \(PDF\)](#)
[Packaging Specification \(PDF\)](#)

Agency Certification

CSA LR19980
 UL E29179

General

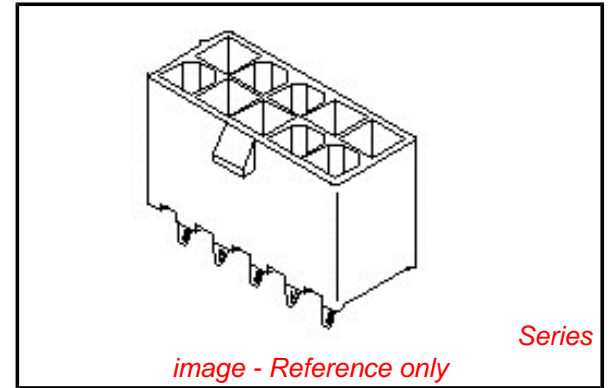
Product Family PCB Headers
 Series [44472](#)
 Application Wire-to-Board
 Comments Square Pin|Solder Type
 Product Name Mini-Fit HCS™

Physical

Breakaway No
 Circuits (Loaded) 2
 Circuits (maximum) 2
 Color - Resin Natural (White)
 Durability (mating cycles max) 30
 Flammability 94V-0
 Glow-Wire Compliant No
 Material - Metal High Performance Alloy (HPA)
 Material - Plating Mating Tin
 Material - Plating Termination Tin
 Material - Resin Nylon
 Number of Rows 2
 Orientation Vertical
 PCB Locator Yes
 PCB Retention None
 PCB Thickness Recommended (in) 0.070 In
 PCB Thickness Recommended (mm) 1.80 mm
 Packaging Type Tray
 Pitch - Mating Interface (in) 0.165 In
 Pitch - Mating Interface (mm) 4.20 mm
 Plating min: Mating (µin) 101.6
 Plating min: Mating (µm) 2.54
 Plating min: Termination (µin) 101.6
 Plating min: Termination (µm) 2.54
 Polarized to PCB Yes
 Shrouded Partial
 Stackable No
 Surface Mount Compatible (SMC) No
 Temperature Range - Operating -40°C to +105°C
 Termination Interface: Style Through Hole

Electrical

Current - Maximum per Contact 11A
 Voltage - Maximum 600V



EU RoHS

ELV and RoHS Compliant
REACH SVHC
 Not Reviewed
Halogen-Free Status
Not Reviewed

China RoHS



Need more information on product environmental compliance?

Email productcompliance@molex.com
 For a multiple part number RoHS Certificate of Compliance, [click here](#)

Please visit the [Contact Us](#) section for any non-product compliance questions.

Search Parts in this Series

[44472Series](#)

Mates With

[5557d](#)

Solder Process Data

Duration at Max. Process Temperature (seconds)	5
Lead-free Process Capability	Wave Capable (TH only)
Max. Cycles at Max. Process Temperature	1
Process Temperature max. C	260

Material Info

Old Part Number	A-44472-0257
-----------------	--------------

Reference - Drawing Numbers

Product Specification	PS-44476-001, RPS-44476-001
Sales Drawing	SDA-44472-****

This document was generated on 04/09/2010

PLEASE CHECK WWW.MOLEX.COM FOR LATEST PART INFORMATION

CKT SIZE	DIM A	DIM B
4	.709 (18.00)	.496 (12.60)
5	.874 (22.20)	.661 (16.80)
6	1.039 (26.40)	.827 (21.00)
7	1.205 (30.60)	.992 (25.20)
8	1.370 (34.80)	1.157 (29.40)
9	1.535 (39.00)	1.323 (33.60)
10	1.701 (43.20)	1.488 (37.80)
11	1.866 (47.40)	1.654 (42.00)
12	2.031 (51.60)	1.819 (46.20)



- NOTES:
- MATERIALS:
HOUSING:
1=NYLON 6/6, UL94 V-2, COLOR: NATURAL
2=NYLON 6/6, UL94 V-0, COLOR: NATURAL
3=NYLON 6/6, UL94 V-2, COLOR: BLACK
TERMINALS:
COPPER ALLOY
 - TERMINAL PLATING:
1=.000100/(0.00254) MIN. BRIGHT TIN OVER
.000050/(0.00127) MIN. NICKEL
2=.000030/(0.00076) MIN. SELECT GOLD AND
.000100/(0.00254) MIN. SELECT MATTE TIN
OVER .000050/(0.00127) MIN. NICKEL OVERALL
3=.000100/(0.00254) MIN. MATTE TIN OVER
.000050/(0.00127) MIN. NICKEL
*THE PRIMARY SHIPPING CARTON WILL BE LABELED
"ELV AND RoHS COMPLIANT"; CARTONS WITHOUT THIS
LABEL MAY CONTAIN PRODUCT WITH TIN-LEAD PLATING.
 - PRODUCT SPECIFICATION: PS-44476-001
 - PACKAGING: SEE CHARTS
 - PART MATES WITH MINI-FIT JR. RECEPTACLE NO. 5557.
 - PART IS NOT DESIGNED FOR CURRENT SHARING.
 - PARTS ARE NOT TO BE MATED OR UN-MATED WHILE
CIRCUITS ARE LIVE.
 - 44472-2470 ONLY FOR WIDER LOCKING RAMP.
 - PARTS PRODUCED AFTER JULY 1, 2004 WILL HAVE "HCS"
MARKING INSTEAD OF BLACK STRIPE.
 - SEE CHART FOR PARTS WITH PEGS REMOVED.
 - PART CONFORMS TO CLASS 'B' REQUIREMENTS OF
COSMETIC SPECIFICATION PS-45499-002.



RECOMMENDED HOLE LAYOUT FOR
.070/(1.78) MAX. THICK P. C. BOARD
VIEWED FROM COMPONENT SIDE

10	L
9	L
8	L
7	L
6	L
5	L
4	L
3	L
2	L
1	L
SHT	REV

LEGEND:
44472 - ** **
CIRCUIT SIZE
(04-12 FOR SINGLE ROW)
(02-24 FOR DUAL ROW)
ASSEMBLY VERSION
(01 THRU 49 FOR SINGLE ROW)
(50 THRU 99 FOR DUAL ROW)

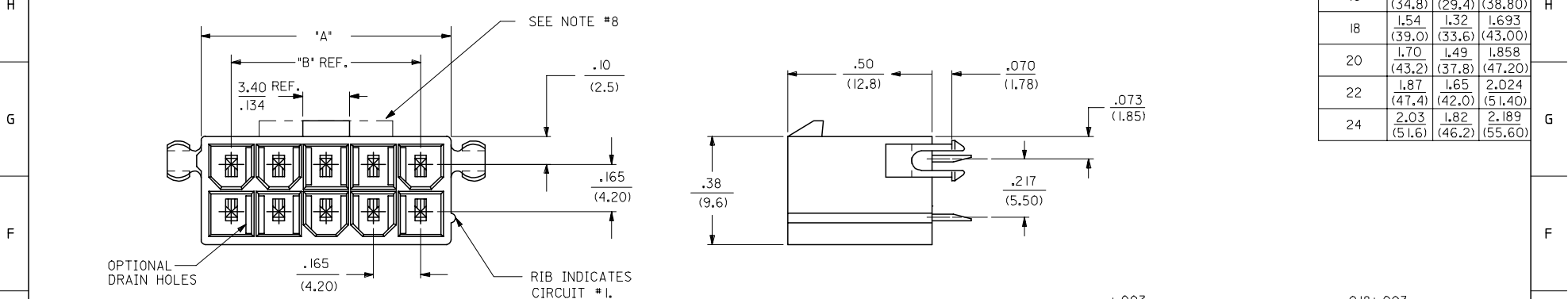
SEE SHT. 2 FOR DUAL ROW
* THE CHART FOR SINGLE ROW PRODUCT IS ON PAGE 7

STANDARDIZE NOTES EC NO: UCP2008-0153 2007/09/26 DRW:LLSCHMIDT 2007/09/26 CHKD:ADERR 2007/09/26 APPR:FSM TH 2007/09/26	QUALITY SYMBOLS =0 =0	GENERAL TOLERANCES (UNLESS SPECIFIED)		DIMENSION STYLE		SCALE	DESIGN UNITS	THIRD ANGLE PROJECTION
		mm	INCH	IN/MM	DATE	4:1	METRIC	
4 PLACES ± --- ± ---		DRAWN BY		GEP		DATE		MINI-FIT VERT HDR ASSY W & W/O PEGS/DRAIN HOLES SINGLE AND DUAL ROW
3 PLACES ± --- ± .015		CHECKED BY		RJF		DATE		
2 PLACES ± 0.38 ± .020		APPROVED BY		RJF		DATE		MOLEX INCORPORATED
1 PLACE ± 0.50 ± ---		MATERIAL NO.		SDA-44472-****		DOCUMENT NO.		
ANGULAR ±1/2°		DRAFT WHERE APPLICABLE MUST REMAIN WITHIN DIMENSIONS		SEE CHARTS		SHEET NO.		1 OF 10
THIS DRAWING CONTAINS INFORMATION THAT IS PROPRIETARY TO MOLEX INCORPORATED AND SHOULD NOT BE USED WITHOUT WRITTEN PERMISSION								

13 12 11 10 9 8 7 6 5 4 3 2 1



CIRCUIT SIZE	DIM. 'A'	DIM. 'B'	DIM. 'C'
2	.21 (5.4)	—	.370 (9.40)
4	.38 (9.6)	.17 (4.2)	.535 (13.60)
6	.54 (13.8)	.33 (8.4)	.701 (17.80)
8	.71 (18.0)	.50 (12.6)	.866 (22.00)
10	.87 (22.2)	.66 (16.8)	1.031 (26.20)
12	1.04 (26.4)	.83 (21.0)	1.197 (30.40)
14	1.20 (30.6)	.99 (25.2)	1.362 (34.60)
16	1.37 (34.8)	1.16 (29.4)	1.528 (38.80)
18	1.54 (39.0)	1.32 (33.6)	1.693 (43.00)
20	1.70 (43.2)	1.49 (37.8)	1.858 (47.20)
22	1.87 (47.4)	1.65 (42.0)	2.024 (51.40)
24	2.03 (51.6)	1.82 (46.2)	2.189 (55.60)



RECOMMENDED HOLE LAYOUT FOR .070/(1.78) MAX. THICK P. C. BOARD
VIEWED FROM COMPONENT SIDE

SEE SHT. I FOR SINGLE ROW

STANDARDIZE NOTES EC NO: UCP2008-0153 DRAWN: SCHMIDT 2007/09/26 CHKD: ADERR 2007/09/26 APPR: FSM TH 2007/09/26	QUALITY SYMBOLS 	GENERAL TOLERANCES (UNLESS SPECIFIED)		DIMENSION STYLE IN/MM		SCALE 4:1	DESIGN UNITS METRIC	THIRD ANGLE PROJECTION	
		mm	INCH	DRAWN BY	DATE	TITLE			
		4 PLACES ± ---	± ---	GEP	1994/07/26	MINI-FIT VERT HDR ASSY W & W/O PEGS/DRAIN HOLES SINGLE AND DUAL ROW			
		3 PLACES ± ---	± .015	CHECKED BY	DATE	MOLEX INCORPORATED			
2 PLACES ± 0.38	± .020	RJF	1994/07/26	MATERIAL NO.		DOCUMENT NO.	SHEET NO.		
1 PLACE ± 0.50	± ---	APPROVED BY	DATE	SEE CHARTS		SDA-44472-****	2 OF 10		
ANGULAR ±1/2°		RJF	1994/07/26	THIS DRAFTING CONTAINS INFORMATION THAT IS PROPRIETARY TO MOLEX INCORPORATED AND SHOULD NOT BE USED WITHOUT WRITTEN PERMISSION					

12 11 10 9 8 7 6 5 4 3 2 1

		13		12		11		10		9		8		7		6		5		4		3		2		1		
J	PLATING:	1 (SEE NOTE 2)						PLATING:	1 (SEE NOTE 2)						PLATING:	1 (SEE NOTE 2)						PIN NO.:						
	DRAINS:	WITH DRAIN HOLES						DRAINS:	WITH DRAIN HOLES						DRAINS:	WITH DRAIN HOLES						DRAINS:						
	PEGS:	WITHOUT PEGS						PEGS:	WITHOUT PEGS						PEGS:	WITH PEGS						PEGS:						
	MAT'L:	94V-2 [NATURAL]						MAT'L:	94V-0 [NATURAL]						MAT'L:	94V-2 [BLACK]						MAT'L:						
	PACKAGING:	PK-44472-001						PACKAGING:	PK-44472-001						PACKAGING:	PK-44472-001						PACKAGING:						
I	ITEM NO.			CKTS			ITEM NO.			CKTS			ITEM NO.			CKTS			ITEM NO.			CKTS			ITEM NO.			CKTS
	44472-0256			2			44472-0257			2			44472-0258			2			-			-			-			-
	44472-0456			4			44472-0457			4			44472-0458			4			-			-			-			-
	44472-0656			6			44472-0657			6			44472-0658			6			-			-			-			-
	44472-0856			8			44472-0857			8			44472-0858			8			-			-			-			-
	44472-1056			10			44472-1057			10			44472-1058			10			-			-			-			-
	44472-1256			12			44472-1257			12			44472-1258			12			-			-			-			-
	44472-1456			14			44472-1457			14			44472-1458			14			-			-			-			-
	44472-1656			16			44472-1657			16			44472-1658			16			-			-			-			-
	44472-1856			18			44472-1857			18			44472-1858			18			-			-			-			-
	44472-2056			20			44472-2057			20			44472-2058			20			-			-			-			-
H	44472-2256			22			44472-2257			22			44472-2258			22			-			-			-			-
	44472-2456			24			44472-2457			24			44472-2458			24			-			-			-			-
G	PIN NO.:							PIN NO.:																				
	PLATING:							PLATING:																				
	DRAINS:							DRAINS:																				
	PEGS:							PEGS:																				
	MAT'L:							MAT'L:																				
F	PACKAGING:							PACKAGING:																				
	ITEM NO.			CKTS			ITEM NO.			CKTS			ITEM NO.			CKTS			ITEM NO.			CKTS			ITEM NO.			CKTS
	-			-			-			-			-			-			-			-			-			-
	-			-			-			-			-			-			-			-			-			-
	-			-			-			-			-			-			-			-			-			-
	-			-			-			-			-			-			-			-			-			-
	-			-			-			-			-			-			-			-			-			-
	-			-			-			-			-			-			-			-			-			-
	-			-			-			-			-			-			-			-			-			-
	-			-			-			-			-			-			-			-			-			-
	-			-			-			-			-			-			-			-			-			-
E	-			-			-			-			-			-			-			-			-			-
	-			-			-			-			-			-			-			-			-			-
	-			-			-			-			-			-			-			-			-			-
D	-			-			-			-			-			-			-			-			-			-
	-			-			-			-			-			-			-			-			-			-
	-			-			-			-			-			-			-			-			-			-
C	-			-			-			-			-			-			-			-			-			-
	-			-			-			-			-			-			-			-			-			-
	-			-			-			-			-			-			-			-			-			-
B	-			-			-			-			-			-			-			-			-			-
	-			-			-			-			-			-			-			-			-			-
	-			-			-			-			-			-			-			-			-			-
A	-			-			-			-			-			-			-			-			-			-
	-			-			-			-			-			-			-			-			-			-
	-			-			-			-			-			-			-			-			-			-

PLATING REFERENCE EC NO: UCP2008-0153 DRAWN:LSCHMI DT 2007/09/26 CHKD:ADERR 2007/09/26 APPR:FSM TH 2007/09/26 REVISION DESCRIPTION	QUALITY SYMBOLS = 0 = 0	GENERAL TOLERANCES (UNLESS SPECIFIED) <table border="1"> <tr><th></th><th>mm</th><th>INCH</th></tr> <tr><td>4 PLACES</td><td>± ---</td><td>± ---</td></tr> <tr><td>3 PLACES</td><td>± ---</td><td>± ---</td></tr> <tr><td>2 PLACES</td><td>± ---</td><td>± ---</td></tr> <tr><td>1 PLACE</td><td>± ---</td><td>± ---</td></tr> </table>		mm	INCH	4 PLACES	± ---	± ---	3 PLACES	± ---	± ---	2 PLACES	± ---	± ---	1 PLACE	± ---	± ---	DIMENSION STYLE IN/MM DRAWN BY DATE LEM 1999/02/22 CHECKED BY DATE MAB 1999/02/22 APPROVED BY DATE RRE 1999/02/22	SCALE --- DESIGN UNITS METRIC THIRD ANGLE PROJECTION 	TITLE MINI-FIT VERT HDR ASSY W & W/O PEGS/DRAIN HOLES SINGLE AND DUAL ROW MOLEX INCORPORATED MATERIAL NO. SDA-44472-**** DOCUMENT NO. SHEET NO. 4 OF 10
		mm	INCH																	
	4 PLACES	± ---	± ---																	
	3 PLACES	± ---	± ---																	
2 PLACES	± ---	± ---																		
1 PLACE	± ---	± ---																		
DRAFT WHERE APPLICABLE MUST REMAIN WITHIN DIMENSIONS		SEE CHART SIZE 	THIS DRAWING CONTAINS INFORMATION THAT IS PROPRIETARY TO MOLEX INCORPORATED AND SHOULD NOT BE USED WITHOUT WRITTEN PERMISSION																	